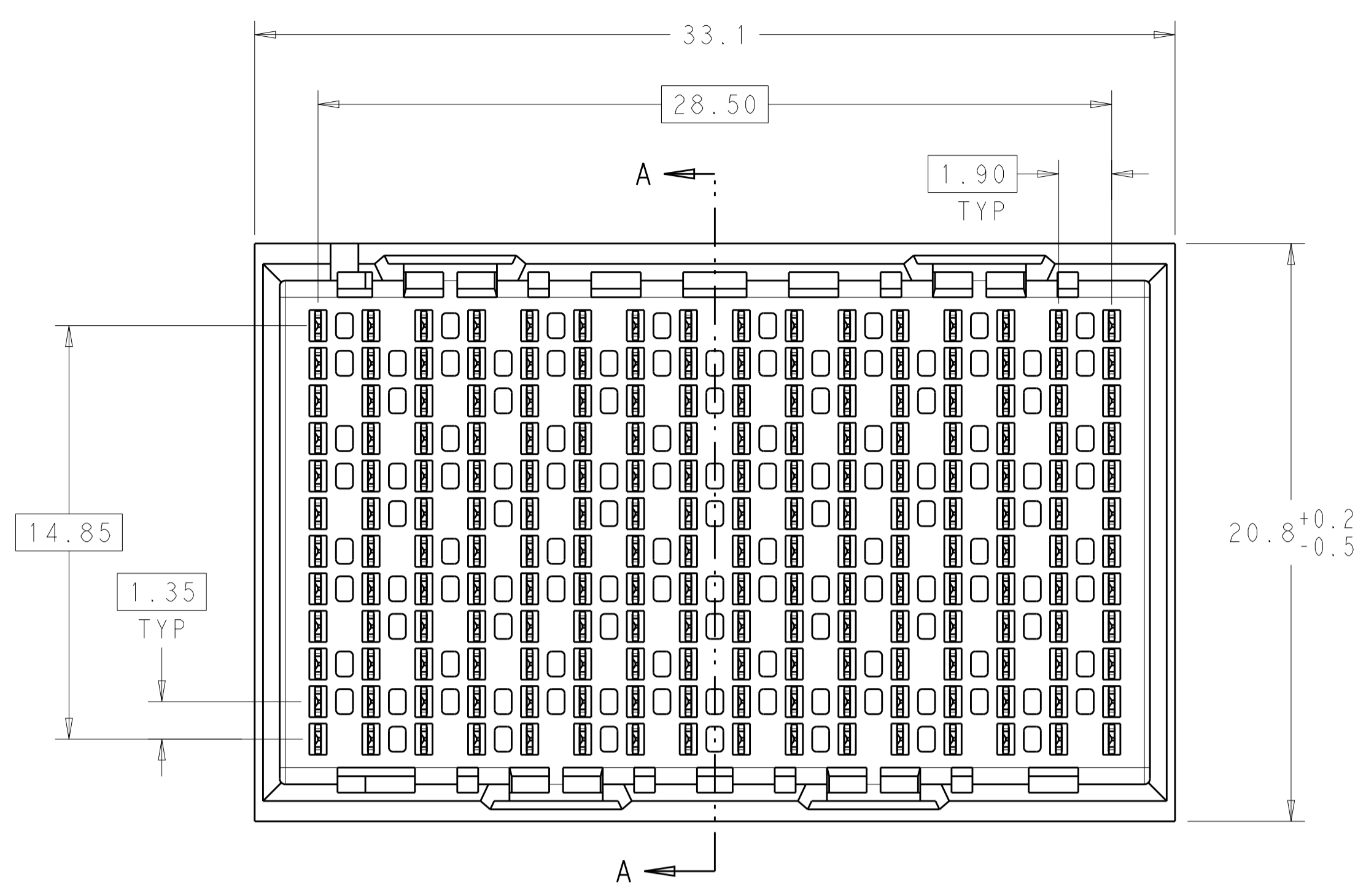
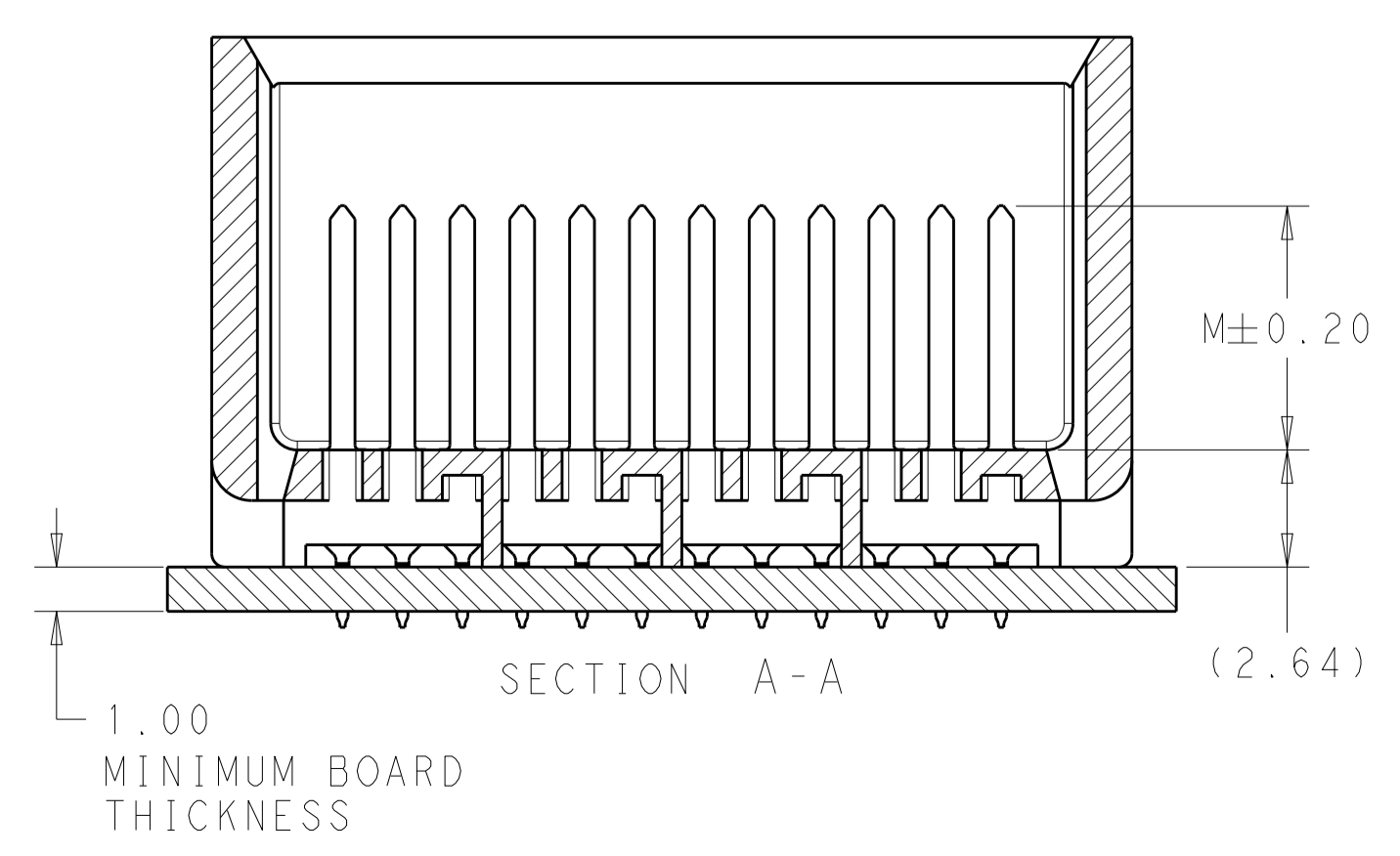
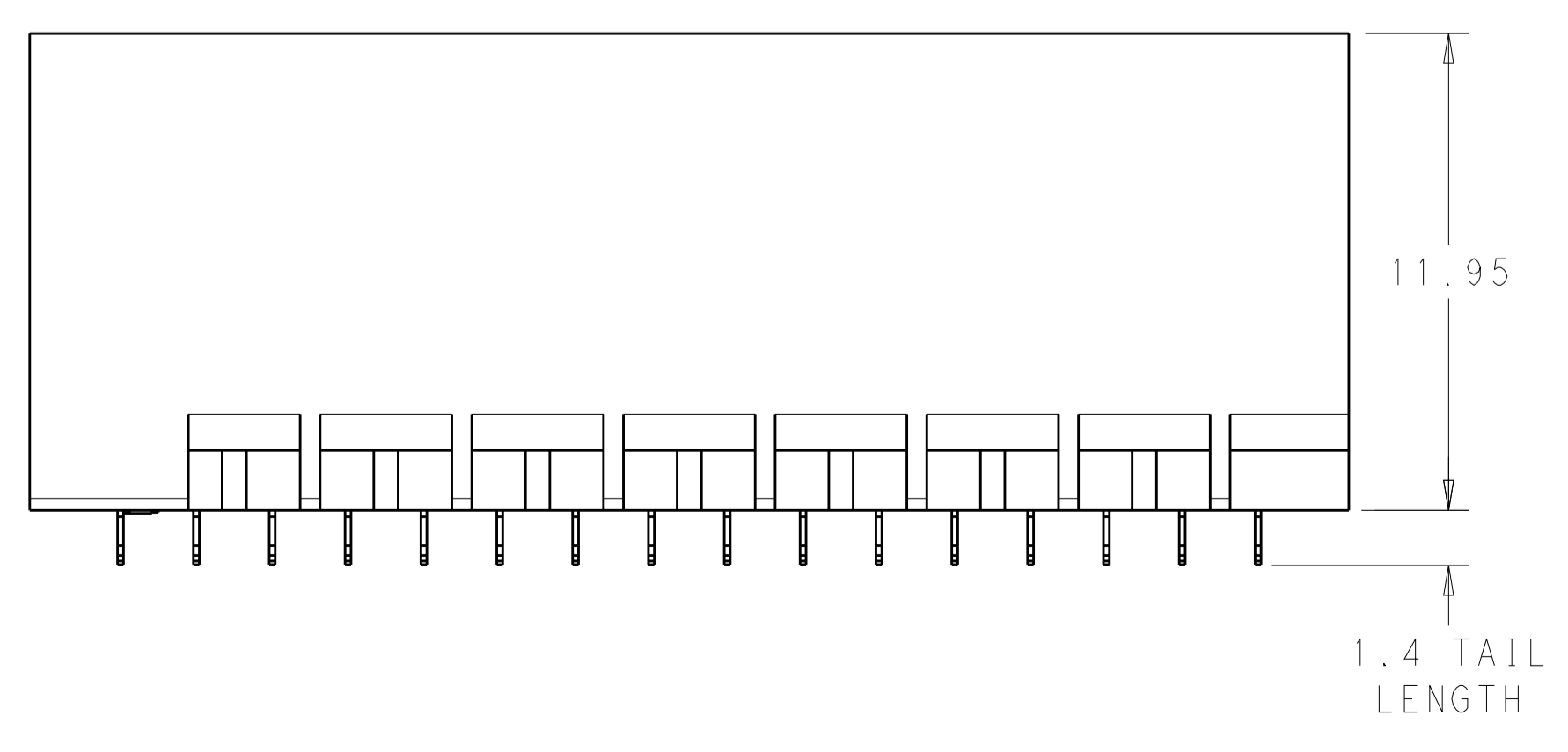
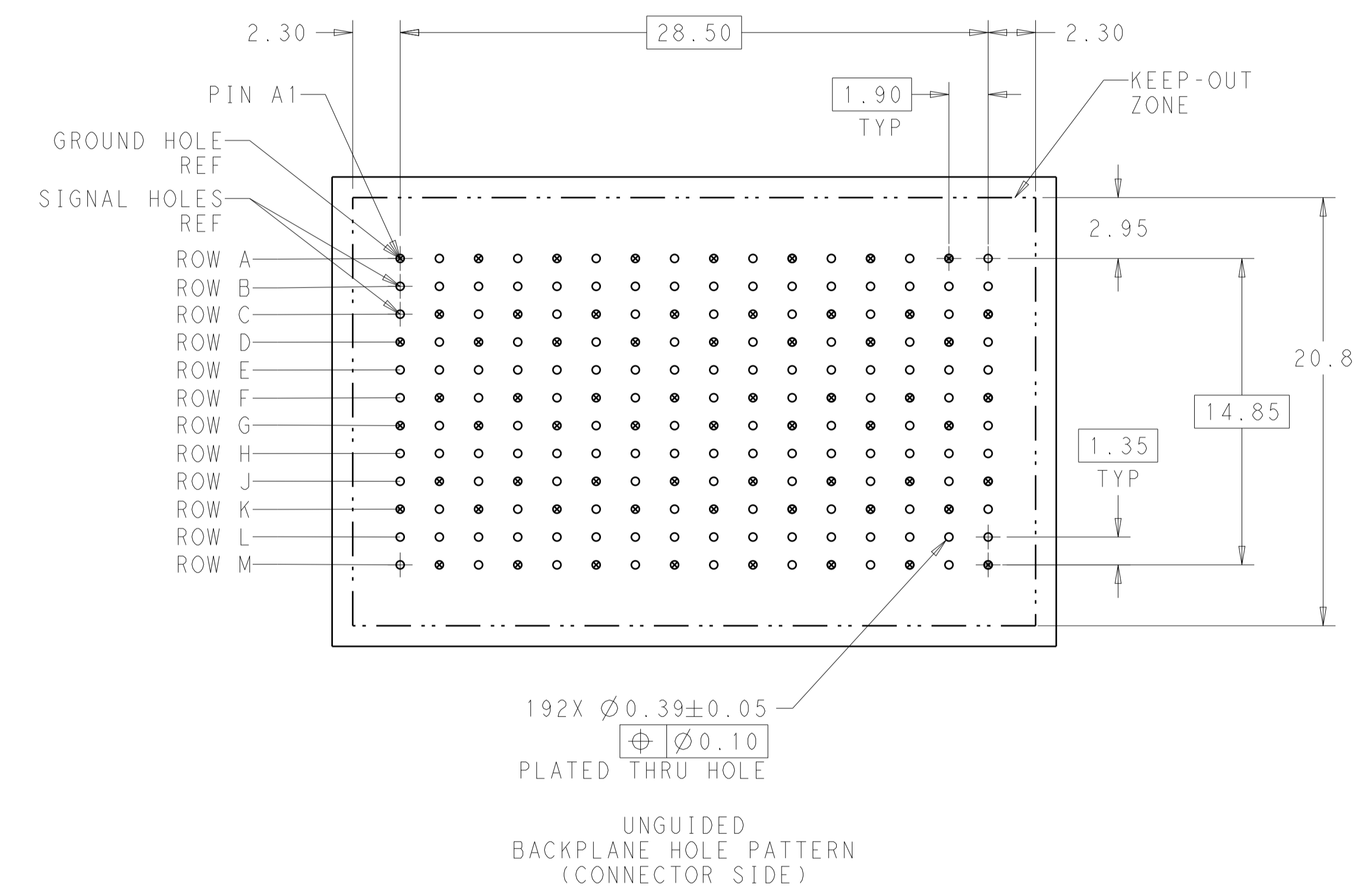
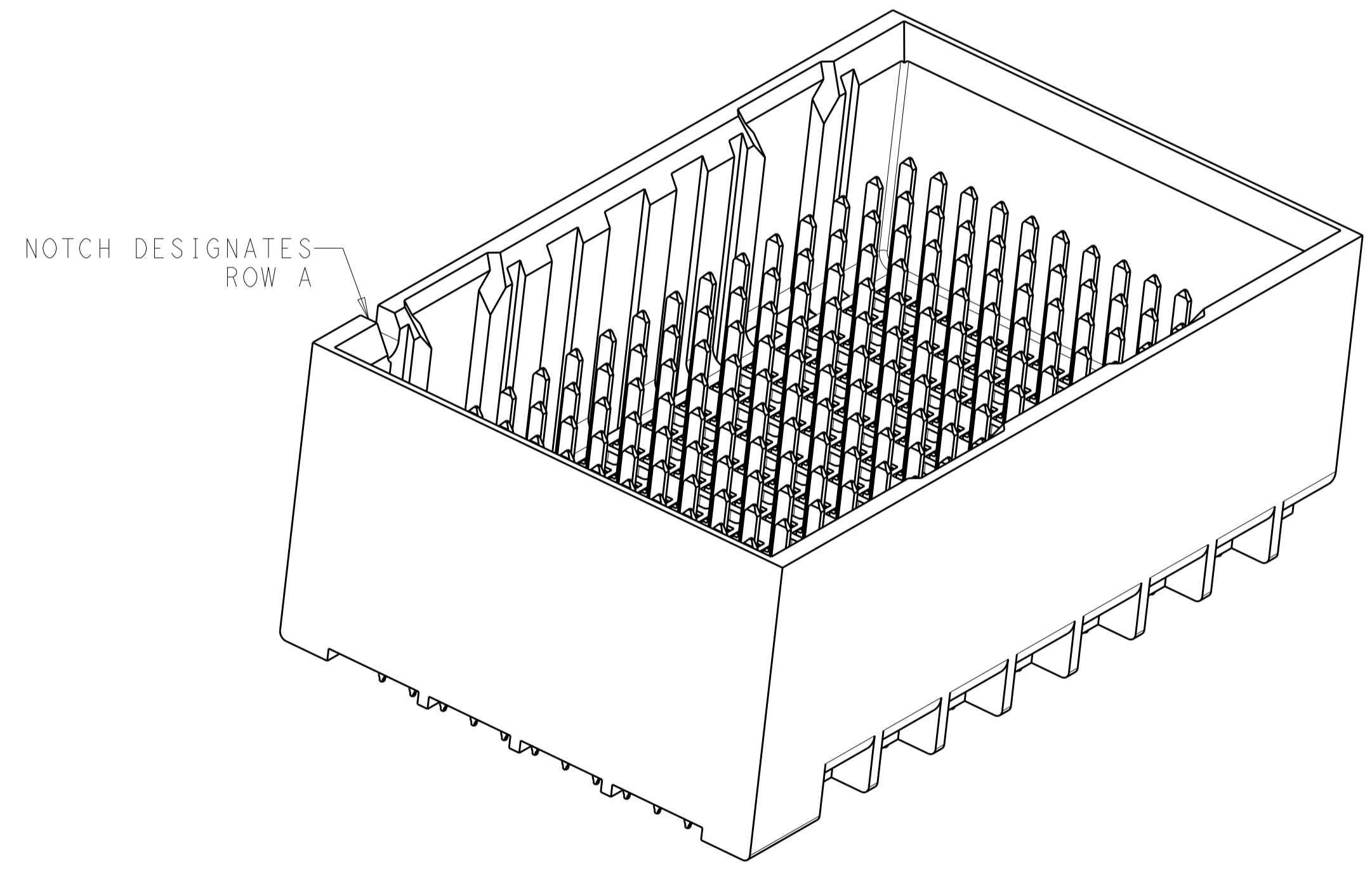


REVISIONS				
P.	LTN.	DESCRIPTION	DATE	APVD.
B1		REVISED PER ECO-15-001494	05FEB2015	AP DD



⚠ MATERIAL:
 HOUSING: LCP, GLASS FILLED, UL94V-0.
 TERMINALS: HIGH PERFORMANCE COPPER ALLOY.

⚠ FINISH:
 30μ" MIN GOLD IN CONTACT AREA. SELECTIVE TIN
 ON PCB TAILS, NICKEL OVERALL.



THIS DRAWING IS A CONTROLLED DOCUMENT.		DWN: J. K. SHOBER 13JAN2011 CHK: J. EARY 13JAN2011 APVD: J. EARY 13JAN2011	TE Connectivity
DIMENSIONS: mm	TOLERANCES UNLESS OTHERWISE SPECIFIED: 0 PLC ± 1 PLC ±0.25 2 PLC ±0.13 3 PLC ± 4 PLC ± ANGLES ±	NAME: IMPACT, 4 PAIR, 16 COLUMN, HEADER PRODUCT SPEC: UNGUIDED, DUAL END WALL SIGNAL MODULE, 0.39 PTH APPLICATION SPEC:	
MATERIAL: SEE TABLE	FINISH: SEE TABLE	WEIGHT: CUSTOMER DRAWING	SIZE: A1 CAGE CODE: 00779 DRAWING NO: C=2007838 RESTRICTED TO: B1 SCALE: 6:1 SHEET 1 OF 2 REV: B1

THIS DRAWING IS UNPUBLISHED.	RELEASED FOR PUBLICATION	2011
© COPYRIGHT 2011	ALL RIGHTS RESERVED.	

REVISIONS					
P.	LTN	DESCRIPTION	DATE	DMN	APVD
-	-	SEE SHEET 1	-	-	-

	5.5	2007838-3
	4.9	2007838-2
	4.5	2007838-1
FINISH	DIM M	PART NUMBER

REFER TO WWW.TE.COM
FOR PRODUCT AVAILABILITY

THIS DRAWING IS A CONTROLLED DOCUMENT.		DMN J. K. SHOBER 13JAN2011		TE Connectivity
DIMENSIONS: mm		CHK J. EARY 13JAN2011		NAME IMPACT, 4 PAIR, 16 COLUMN, HEADER UNGUIDED, DUAL END WALL SIGNAL MODULE, 0.39 PTH
TOLERANCES UNLESS OTHERWISE SPECIFIED: 0 PLC ± 1 PLC ±0.25 2 PLC ±0.13 3 PLC ± 4 PLC ± ANGLES ±		APVD J. EARY 13JAN2011	PRODUCT SPEC -	RESTRICTED TO
MATERIAL -		FINISH -	APPLICATION SPEC -	SIZE A100779
SEE TABLE		WEIGHT -	CAGE CODE C=2007838	DRAWING NO C=2007838
		CUSTOMER DRAWING	SCALE 5:1	SHEET 2 OF 2
				REV B1

X-ON Electronics

Largest Supplier of Electrical and Electronic Components

Click to view similar products for [High Speed/Modular Connectors](#) category:

Click to view products by [TE Connectivity](#) manufacturer:

Other Similar products are found below :

[650827-1](#) [74040-1346](#) [1410191-1](#) [1410368-3](#) [1410964-2](#) [1410326-3](#) [1410367-3](#) [1410971-4](#) [1467833-1](#) [2000877-1](#) [2000878-1](#) [2041314-1](#)
[2065387-1](#) [2187307-1](#) [163P](#) [1934290-1](#) [2000875-1](#) [2065917-1](#) [2102736-2](#) [FSR-40](#) [2169868-2](#) [22354-8](#) [437-5040-000](#) [5-1393565-0](#) [039-](#)
[0246-000](#) [0761601016](#) [0784461022](#) [10123159-12ELF](#) [030-2415-003/100 PK](#) [030-7380-004](#) [030-2494-001](#) [532939-1](#) [5532901-3](#) [3-1469268-](#)
[7](#) [74748-102LF](#) [10041743-101LF](#) [10066670-100002LF](#) [1-533915-1](#) [249-4515-000](#) [7-1469373-3](#) [DL2-2J/S](#) [2000713-8](#) [2000713-7](#)
[10124313-101LF](#) [3011-21](#) [757105208](#) [EBTF-4-10-2.0-S-RA-1](#) [430305-001](#) [4395800100](#) [8140115](#)