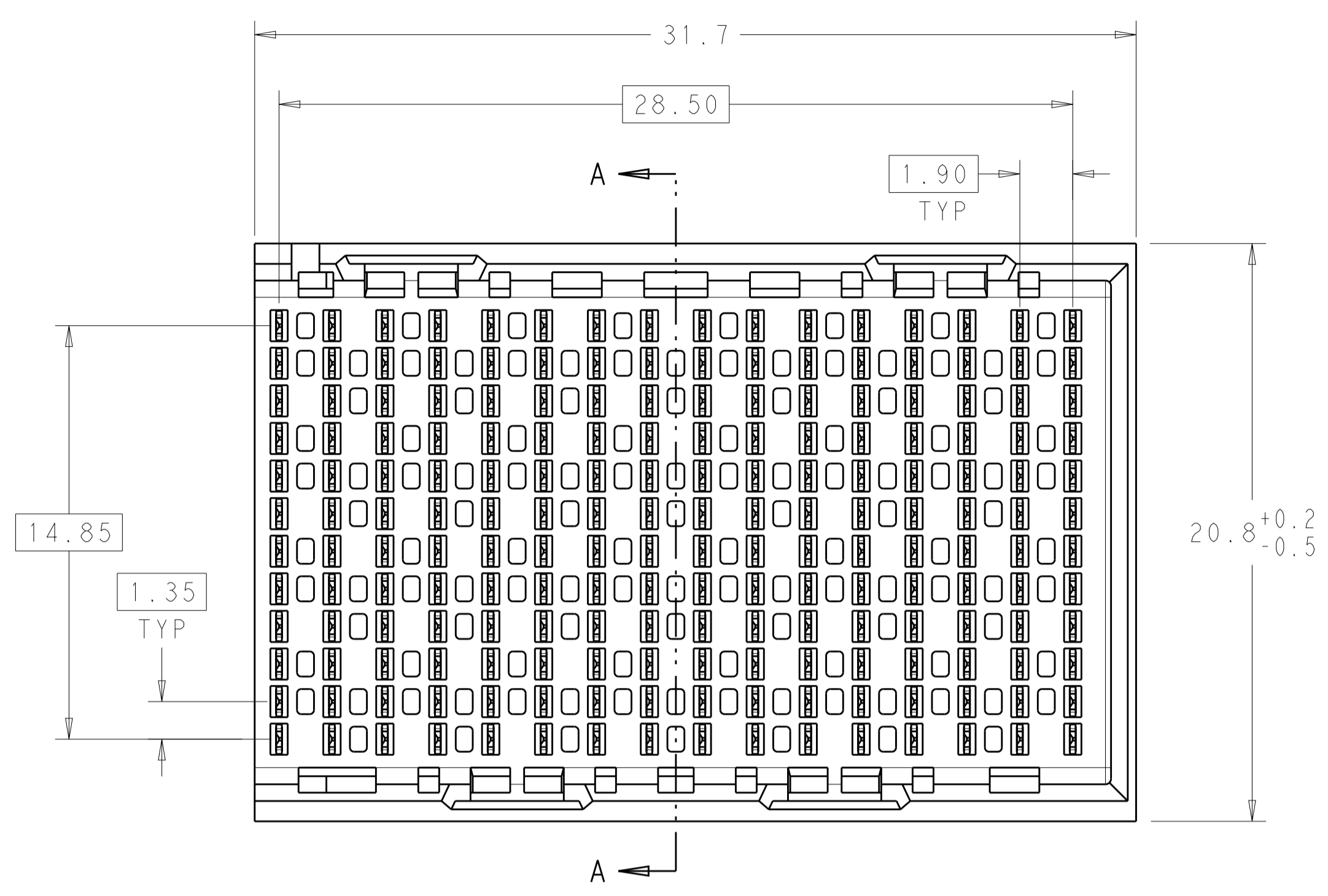
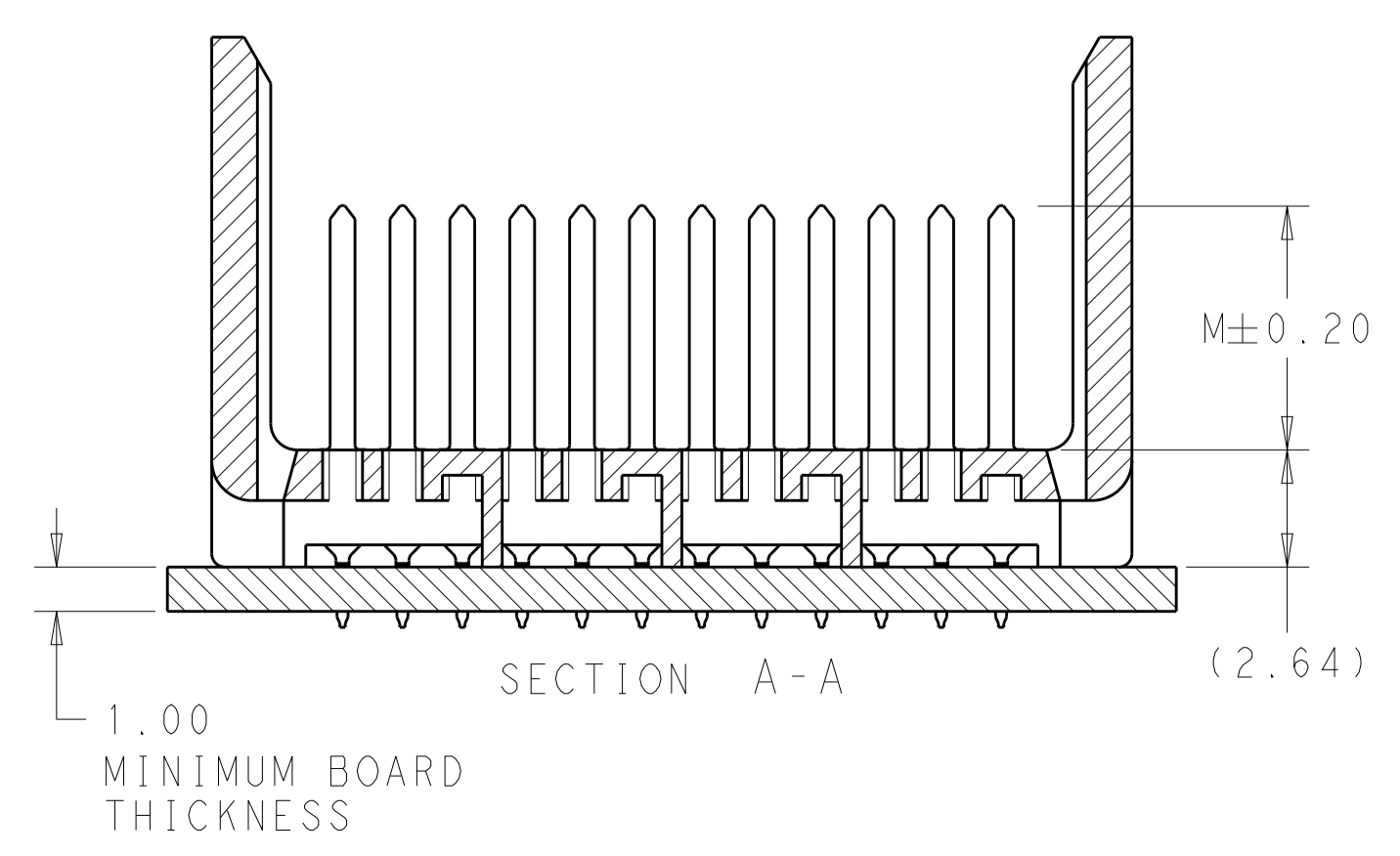
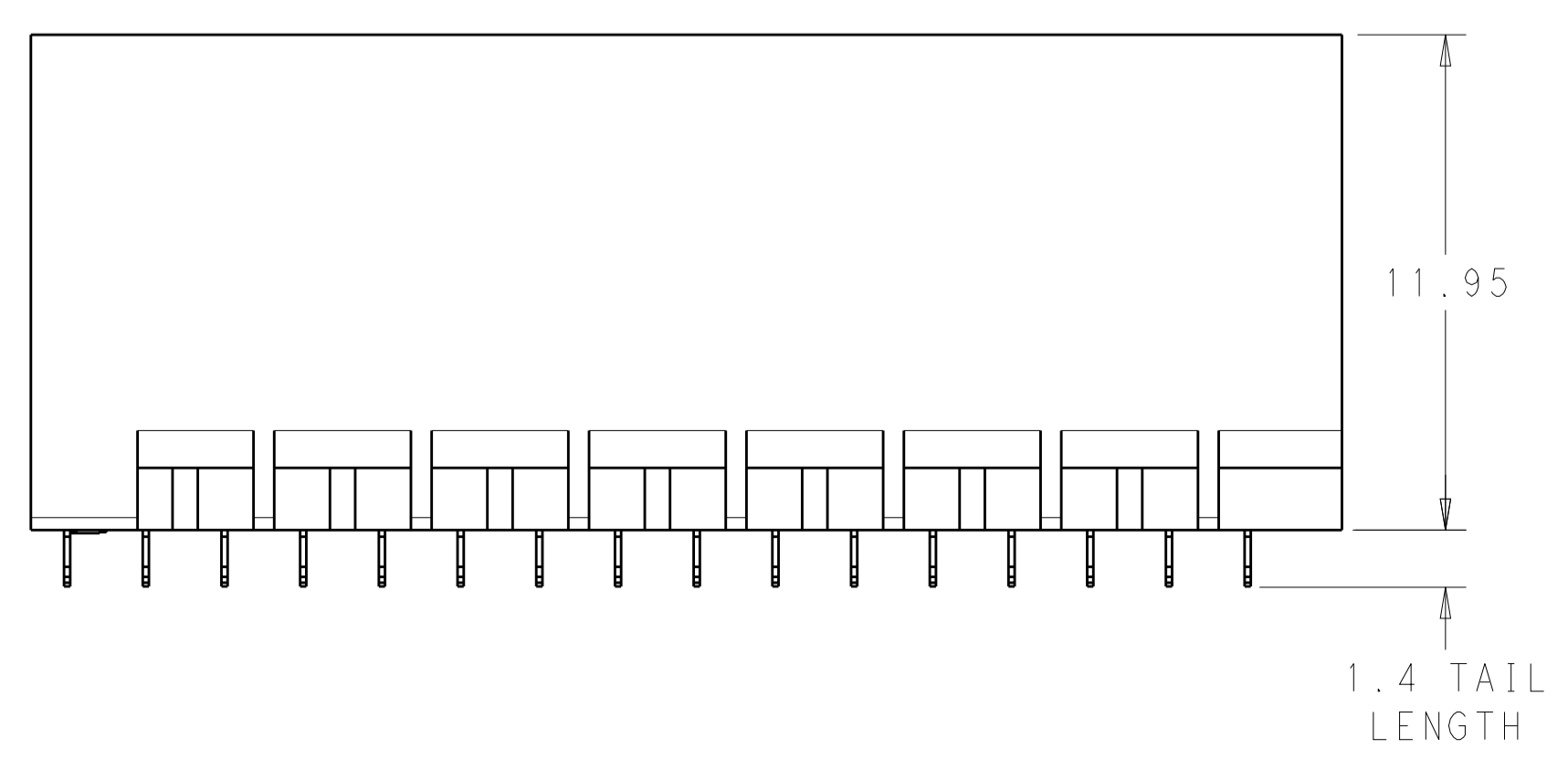
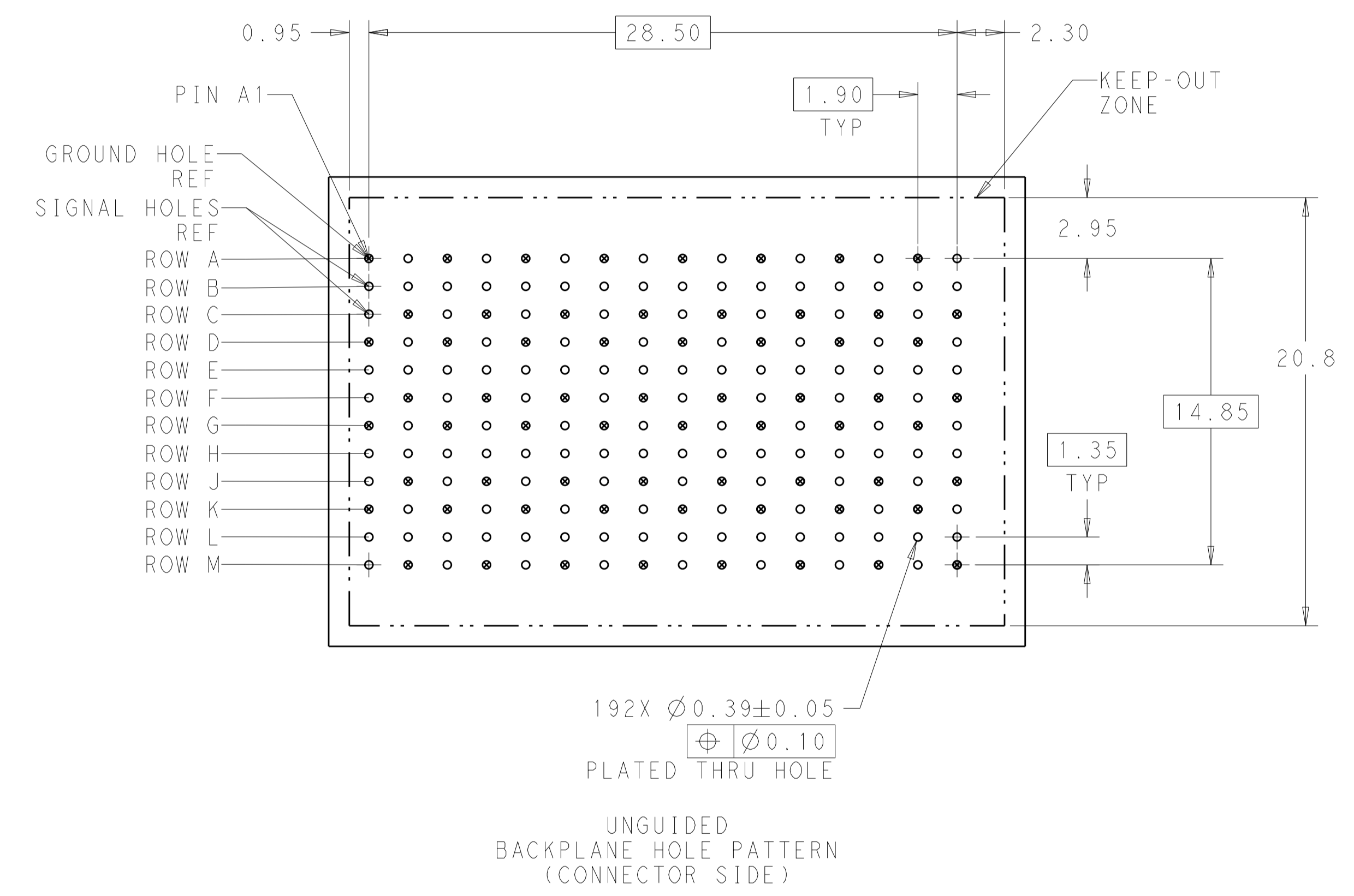
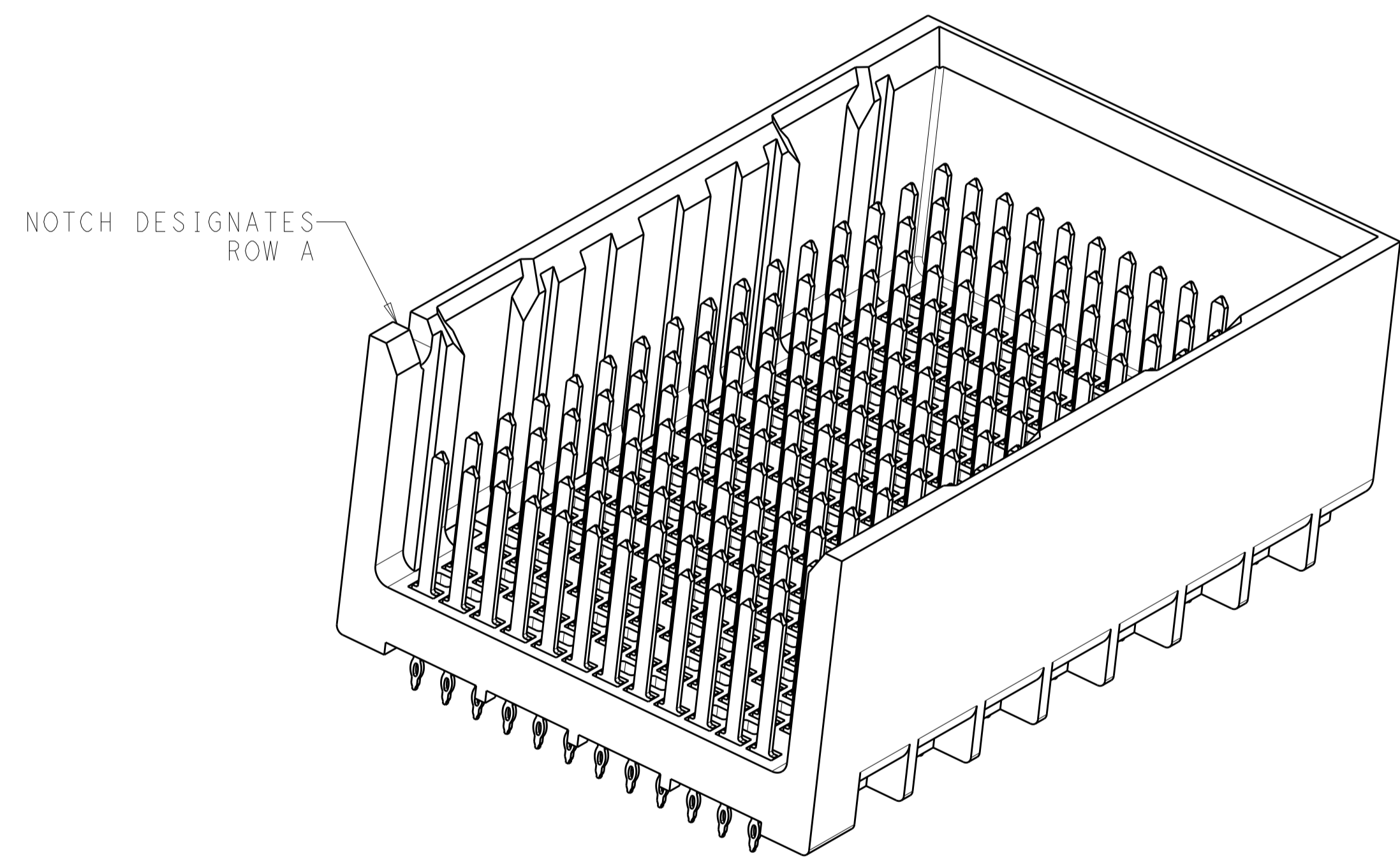


LOC		DIST		REVISIONS			
P	LTN	DESCRIPTION	DATE	DWN	APVD		
B1		REVISED PER ECO-15-001494	05FEB2015	AP	DD		



MATERIAL:
 HOUSING: LCP, GLASS FILLED, UL94V-0.
 TERMINALS: HIGH PERFORMANCE COPPER ALLOY.

FINISH:
 30μ" MIN GOLD IN CONTACT AREA. SELECTIVE TIN
 ON PCB TAILS, NICKEL OVERALL..



THIS DRAWING IS A CONTROLLED DOCUMENT.		DWN	J. K. SHOBER	13JAN2011	TE Connectivity
DIMENSIONS:		CHK	J. EARY	13JAN2011	
mm	0 PLC ±	APVD	J. EARY	13JAN2011	NAME IMPACT, 4 PAIR, 16 COLUMN, HEADER UNGUIDED, RIGHT END WALL SIGNAL MODULE, 0.39 PTH
	1 PLC ±0.25	PRODUCT SPEC			
	2 PLC ±0.13	APPLICATION SPEC			SIZE CAGE CODE DRAWING NO. RESTRICTED TO A100779 ©=2007839
	3 PLC ±	WEIGHT			
	4 PLC ±	CUSTOMER DRAWING			SCALE 6:1 SHEET 1 OF 2 REV B1
	ANGLES ±				
MATERIAL	FINISH SEE TABLE				

THIS DRAWING IS UNPUBLISHED.	RELEASED FOR PUBLICATION	20
© COPYRIGHT 20	ALL RIGHTS RESERVED.	

LOC	DIST	REVISIONS					
		P	LTN	DESCRIPTION	DATE	DMN	APVD
AD	00	-	-	SEE SHEET 1	-	-	-

	5.5	2007839-3
	4.9	2007839-2
	4.5	2007839-1
FINISH	DIM M	PART NUMBER

REFER TO WWW.TE.COM
FOR PRODUCT AVAILABILITY

THIS DRAWING IS A CONTROLLED DOCUMENT.		DMN	J. K. SHOBER	13JAN2011				
		CHK	J. EARY	13JAN2011				
DIMENSIONS:		APVD	J. EARY	13JAN2011	NAME IMPACT, 4 PAIR, 16 COLUMN, HEADER UNGUIDED, RIGHT END WALL SIGNAL MODULE, 0.39 PTH			
mm		PRODUCT SPEC						
TOLERANCES UNLESS OTHERWISE SPECIFIED:		APPLICATION SPEC			SIZE	CAGE CODE	DRAWING NO	RESTRICTED TO
0 PLC ±					A1	00779	C=2007839	
1 PLC ±0.25					SCALE		5:1	SHEET
2 PLC ±0.13					OF		2	REV
3 PLC ±					B1			
4 PLC ±								
ANGLES ±								
FINISH SEE TABLE		WEIGHT						
MATERIAL		CUSTOMER DRAWING						

X-ON Electronics

Largest Supplier of Electrical and Electronic Components

Click to view similar products for [High Speed/Modular Connectors](#) category:

Click to view products by [TE Connectivity](#) manufacturer:

Other Similar products are found below :

[650827-1](#) [74040-1346](#) [1410191-1](#) [1410368-3](#) [1410964-2](#) [1410326-3](#) [1410367-3](#) [1410971-4](#) [1467833-1](#) [2000877-1](#) [2000878-1](#) [2041314-1](#)
[2065387-1](#) [2187307-1](#) [163P](#) [1934290-1](#) [2000875-1](#) [2065917-1](#) [2102736-2](#) [FSR-40](#) [2169868-2](#) [22354-8](#) [437-5040-000](#) [5-1393565-0](#) [039-](#)
[0246-000](#) [0761601016](#) [0784461022](#) [10123159-12ELF](#) [030-2415-003/100 PK](#) [030-7380-004](#) [030-2494-001](#) [532939-1](#) [5532901-3](#) [3-1469268-](#)
[7](#) [74748-102LF](#) [10041743-101LF](#) [10066670-100002LF](#) [1-533915-1](#) [249-4515-000](#) [7-1469373-3](#) [DL2-2J/S](#) [2000713-8](#) [2000713-7](#)
[10124313-101LF](#) [3011-21](#) [757105208](#) [EBTF-4-10-2.0-S-RA-1](#) [430305-001](#) [4395800100](#) [8140115](#)