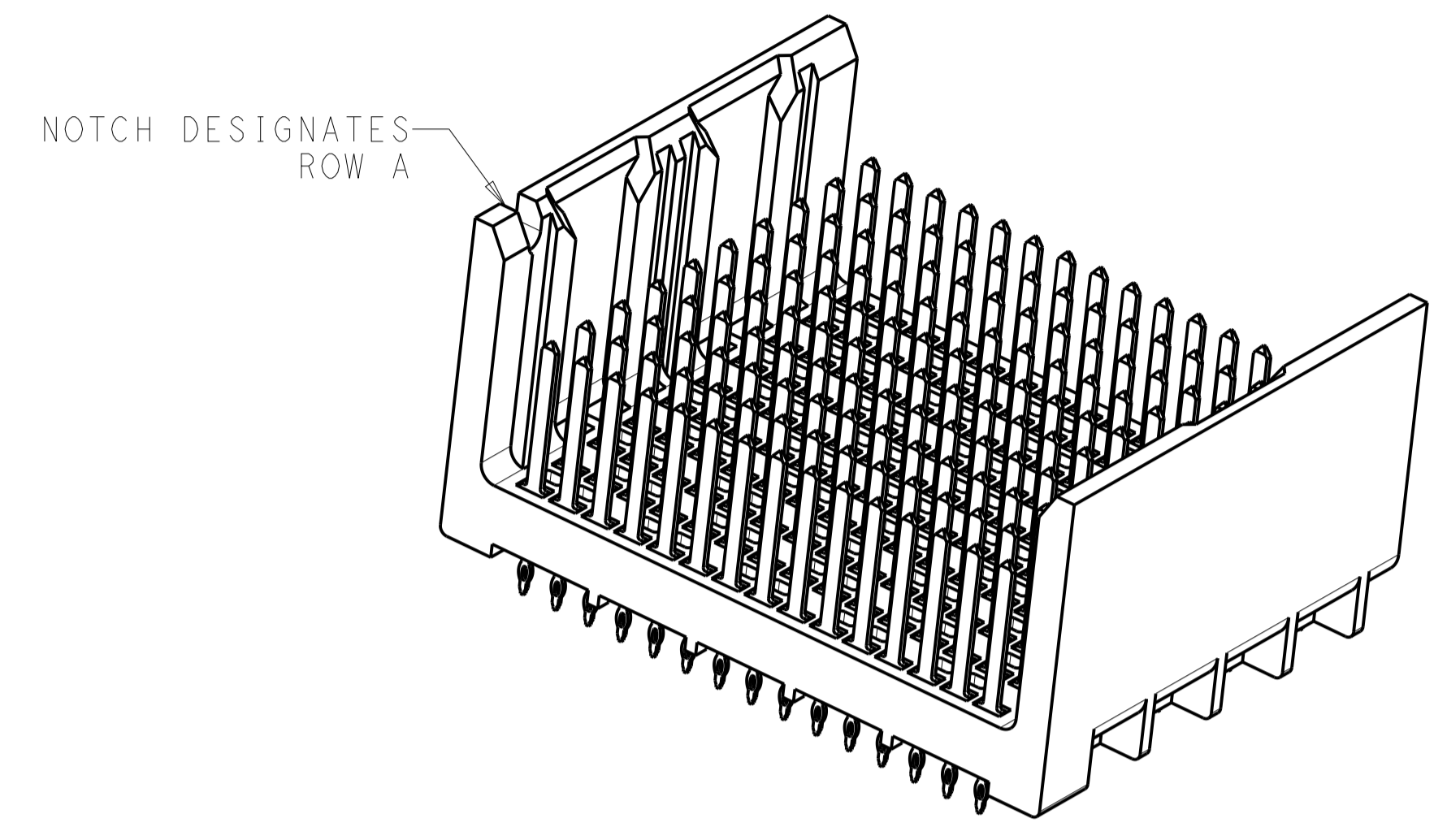
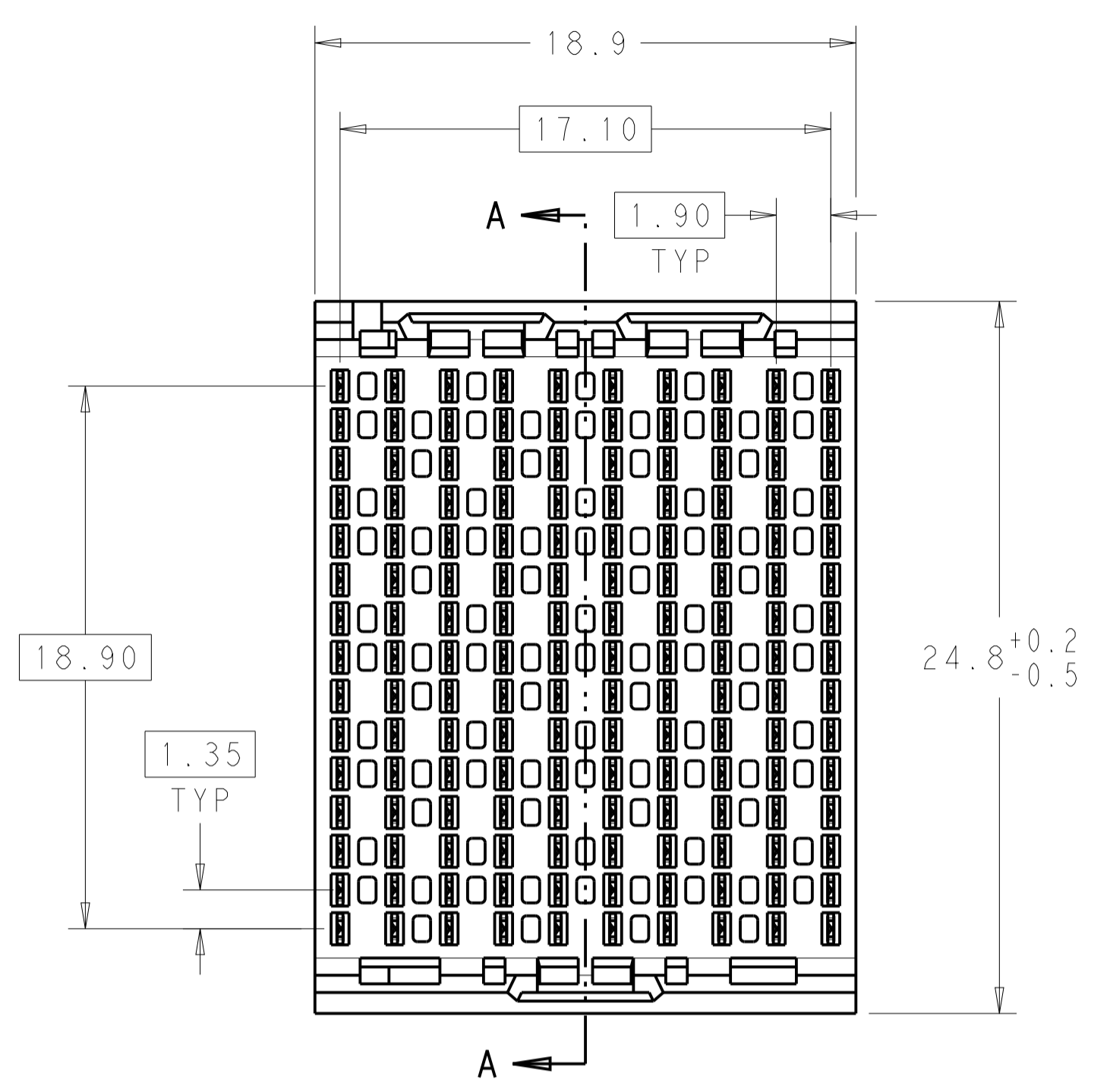
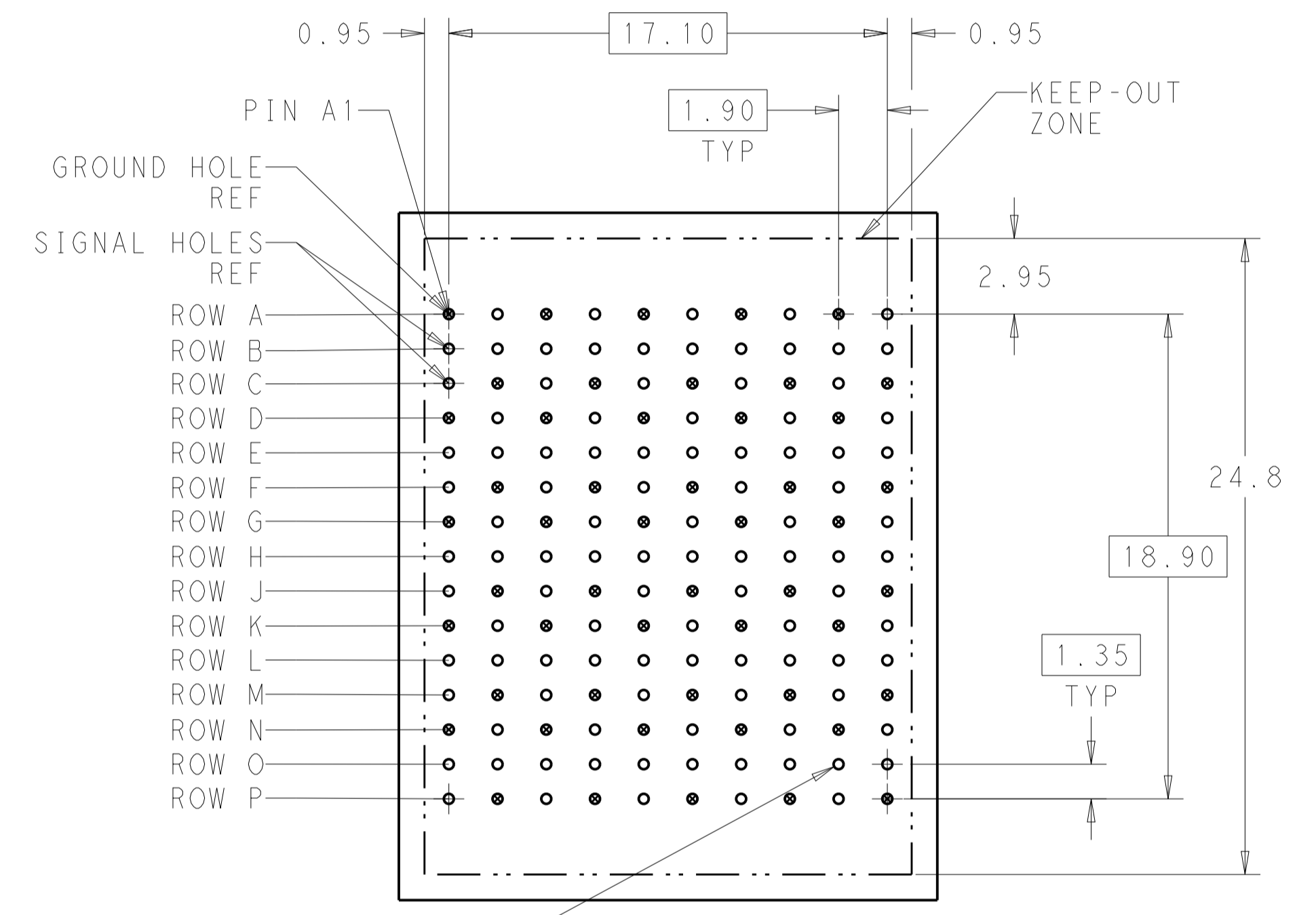


| REVISIONS | | | | |
|-----------|------|---------------------------|-------------|-------|
| P. | LTN. | DESCRIPTION | DATE | APVD. |
| C | | REVISED PER ECO-14-000933 | 28 JAN 2014 | AP DD |

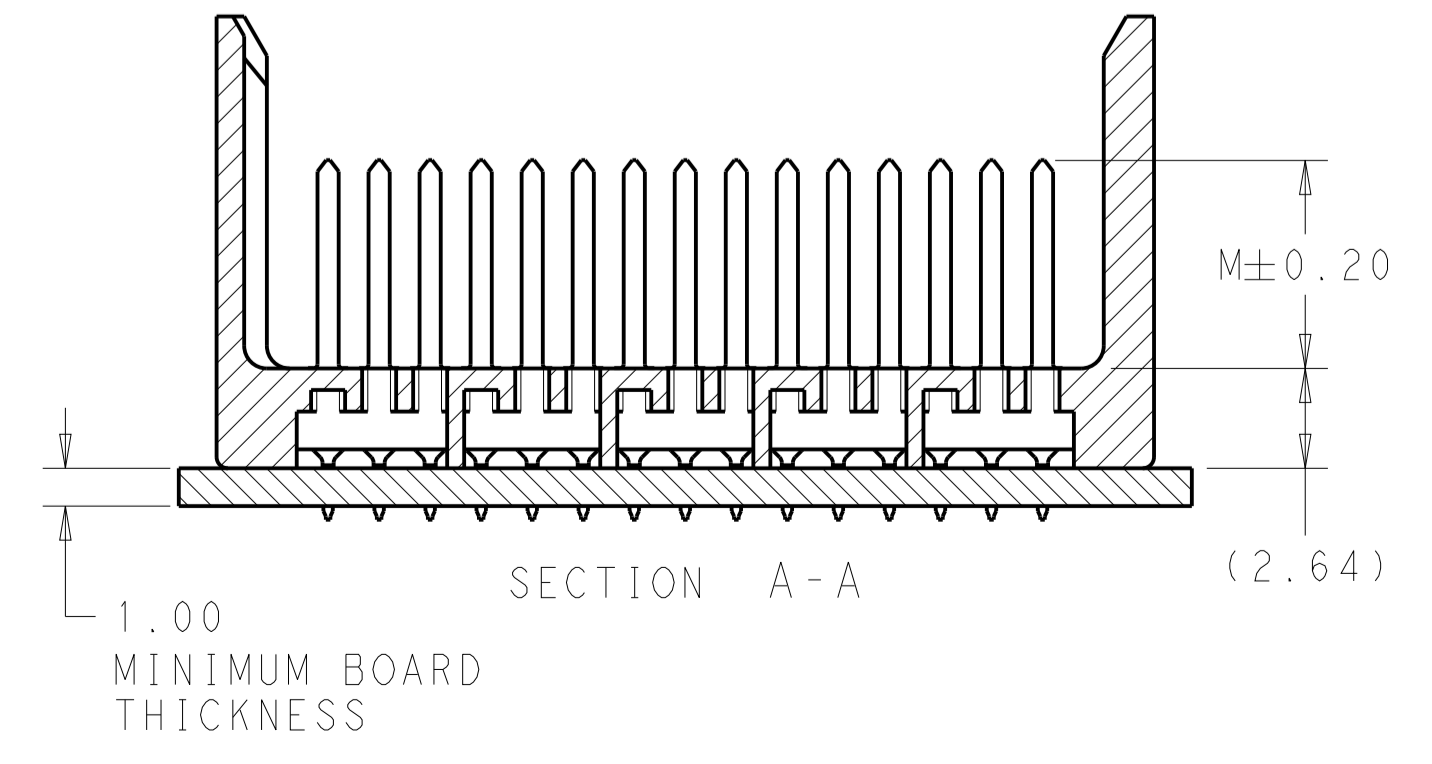
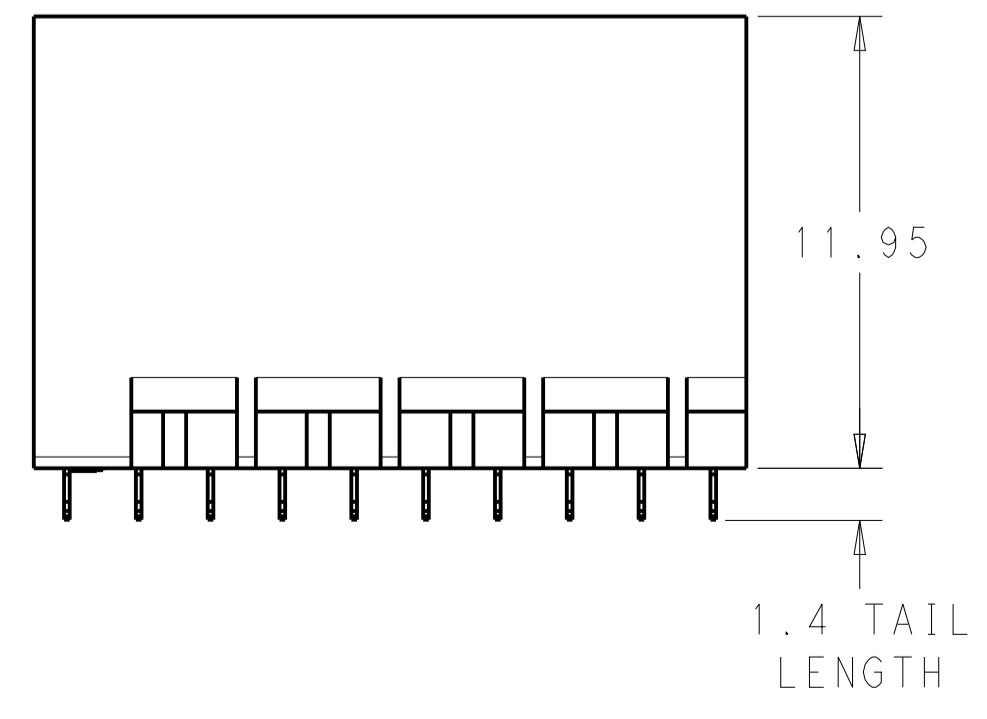


- ⚠ MATERIAL:
HOUSING: LCP, GLASS FILLED, UL94V-0.
TERMINALS: HIGH PERFORMANCE COPPER ALLOY.
- ⚠ FINISH:
30μ" MIN GOLD IN CONTACT AREA. SELECTIVE TIN ON PCB TAILS, NICKEL OVERALL.
- ⚠ FINISH:
30μ" MIN GOLD IN CONTACT AREA. SELECTIVE TIN-LEAD ON PCB TAILS, NICKEL OVERALL.



150X $\varnothing 0.39 \pm 0.05$
 $\varnothing 0.10$
 PLATED THRU HOLE

UNGUIDED
 BACKPLANE HOLE PATTERN
 (CONNECTOR SIDE)



| | | | |
|--|---|--|-----------------|
| THIS DRAWING IS A CONTROLLED DOCUMENT. | | DWN: J. K. SHOBER 01FEB2011 CHK: J. EARY 01FEB2011 APVD: J. EARY 01FEB2011 | TE Connectivity |
| DIMENSIONS: mm | TOLERANCES UNLESS OTHERWISE SPECIFIED: 0 PLC ± 1 PLC ±0.25 2 PLC ±0.13 3 PLC ± 4 PLC ± ANGLES ± FINISH SEE TABLE | NAME: IMPACT, 5 PAIR, 10 COLUMN, HEADER PRODUCT SPEC: APPLICATION SPEC: SIZE: CAGE CODE DRAWING NO: WEIGHT: A100779C=2007852 CUSTOMER DRAWING | |
| SCALE: 5:1 | | SHEET: 1 OF 2 | REV: C |

| | | |
|------------------------------|--------------------------|----|
| THIS DRAWING IS UNPUBLISHED. | RELEASED FOR PUBLICATION | 20 |
| © COPYRIGHT 20 | ALL RIGHTS RESERVED. | |

| REVISIONS | | | | | |
|-----------|-----|-------------|------|-----|------|
| P. | LTN | DESCRIPTION | DATE | DMN | APVD |
| - | | SEE SHEET 1 | - | - | - |
| | | | | | |
| | | | | | |

| | | |
|--------|-------|-------------|
| | 5.5 | 2007852-6 |
| | 4.9 | 2007852-5 |
| | 4.5 | 2007852-4 |
| | 5.5 | 2007852-3 |
| | 4.9 | 2007852-2 |
| | 4.5 | 2007852-1 |
| FINISH | DIM M | PART NUMBER |

REFER TO WWW.TE.COM
FOR PRODUCT AVAILABILITY

| | | | |
|--|---|----------------------------------|---|
| THIS DRAWING IS A CONTROLLED DOCUMENT. | | DMN J. K. SHOBER 01FEB2011 | |
| DIMENSIONS: | | CHK J. EARY 01FEB2011 | |
| mm | TOLERANCES UNLESS OTHERWISE SPECIFIED: | APVD J. EARY 01FEB2011 | NAME |
| | 0 PLC ± 1 PLC ±0.25 2 PLC ±0.13 3 PLC ± 4 PLC ± | PRODUCT SPEC | IMPACT, 5 PAIR, 10 COLUMN, HEADER UNGUIDED, OPEN END WALL SIGNAL MODULE, 0.39 PTH |
| MATERIAL | FINISH | APPLICATION SPEC | SIZE |
| - | SEE TABLE | WEIGHT | A100779C=2007852 |
| - | - | CUSTOMER DRAWING | RESTRICTED TO |
| | | SCALE | 5:1 |
| | | SHEET | 2 OF 2 |
| | | REV | C |

X-ON Electronics

Largest Supplier of Electrical and Electronic Components

Click to view similar products for [High Speed/Modular Connectors](#) category:

Click to view products by [TE Connectivity](#) manufacturer:

Other Similar products are found below :

[650827-1](#) [74040-1346](#) [1410191-1](#) [1410368-3](#) [1410964-2](#) [1410326-3](#) [1410367-3](#) [1410971-4](#) [1467833-1](#) [2000877-1](#) [2000878-1](#) [2041314-1](#)
[2065387-1](#) [2187307-1](#) [163P](#) [1934290-1](#) [2000875-1](#) [2065917-1](#) [2102736-2](#) [FSR-40](#) [2169868-2](#) [22354-8](#) [437-5040-000](#) [5-1393565-0](#) [039-](#)
[0246-000](#) [0740618502](#) [0761601016](#) [0784461022](#) [10123159-12ELF](#) [030-2415-003/100 PK](#) [030-7380-004](#) [030-2494-001](#) [532939-1](#) [5532901-](#)
[3](#) [3-1469268-7](#) [74748-102LF](#) [10041743-101LF](#) [10066670-100002LF](#) [1-533915-1](#) [249-4515-000](#) [7-1469373-3](#) [DL2-2J/S](#) [2000713-8](#)
[2000713-7](#) [10124313-101LF](#) [3011-21](#) [757105208](#) [430305-001](#) [4395800100](#) [8140115](#)