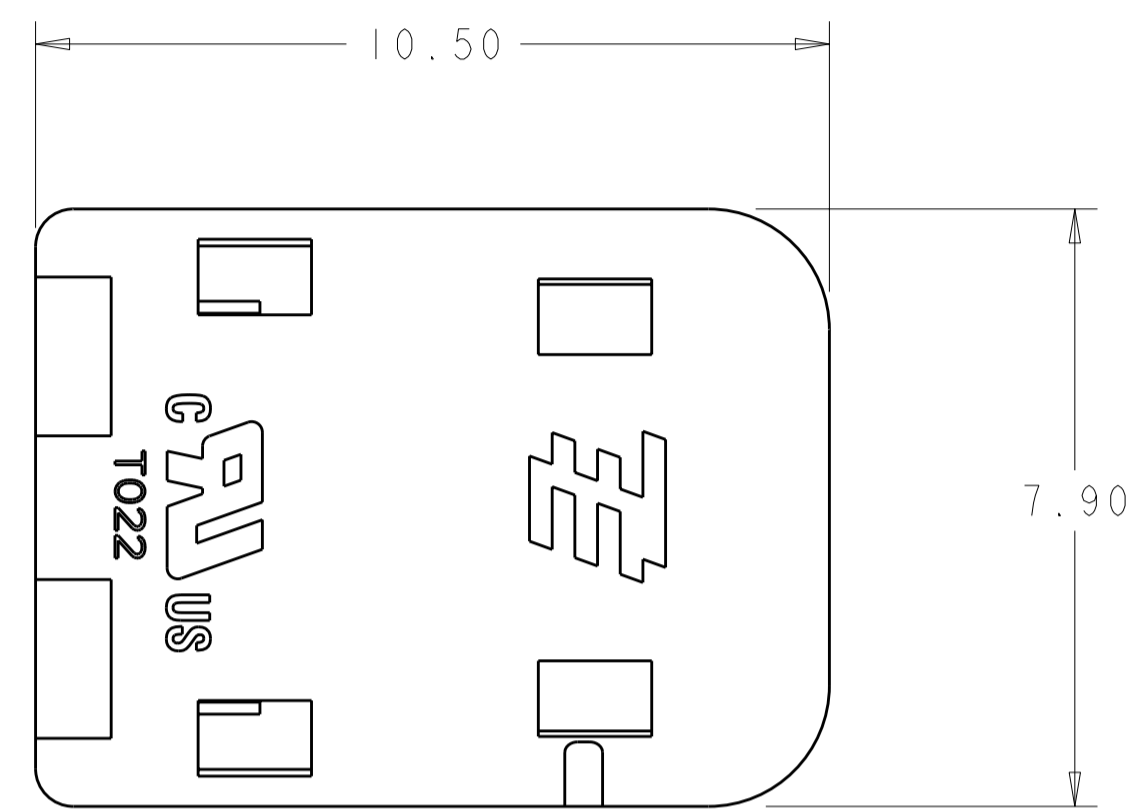
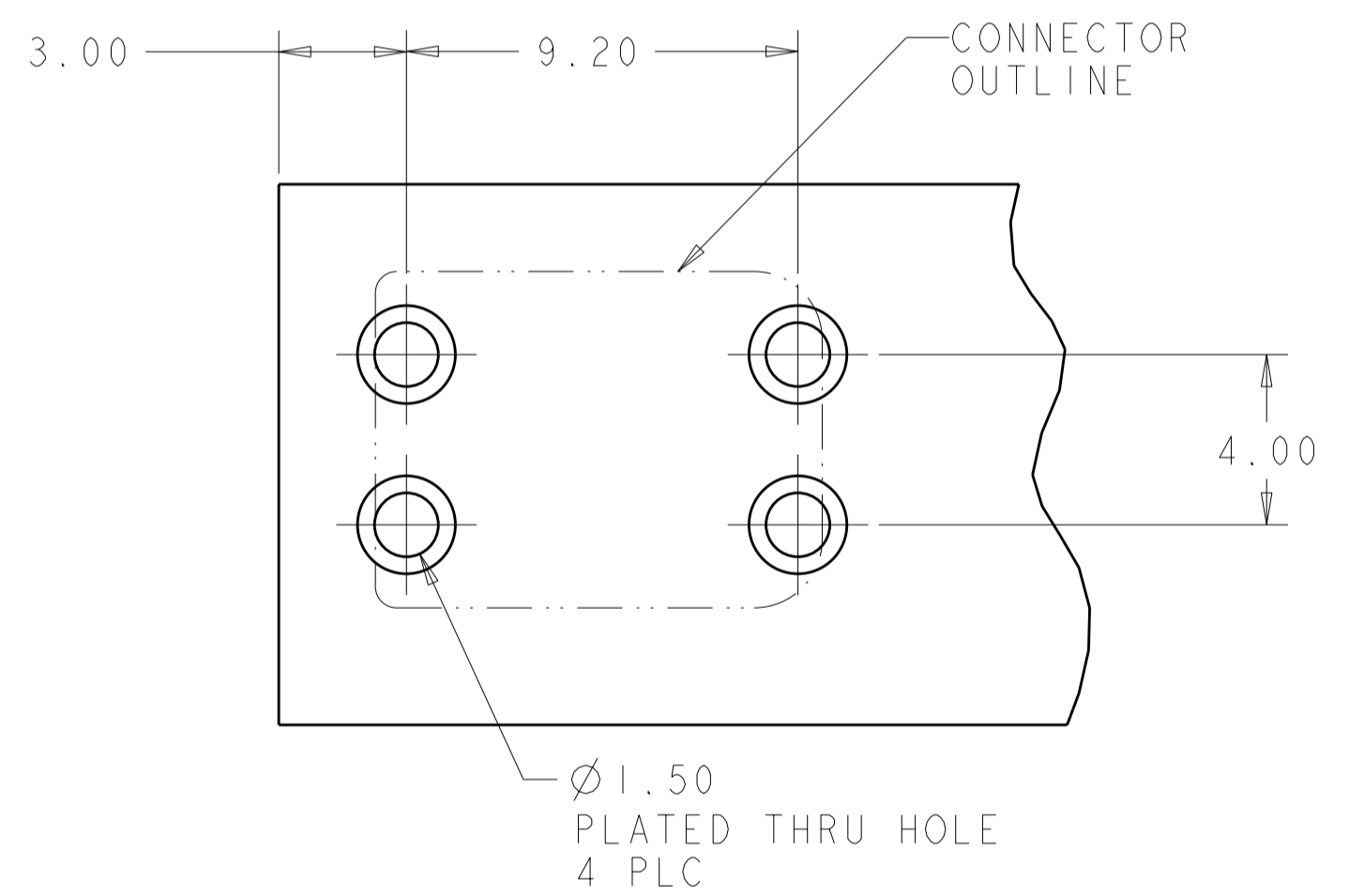
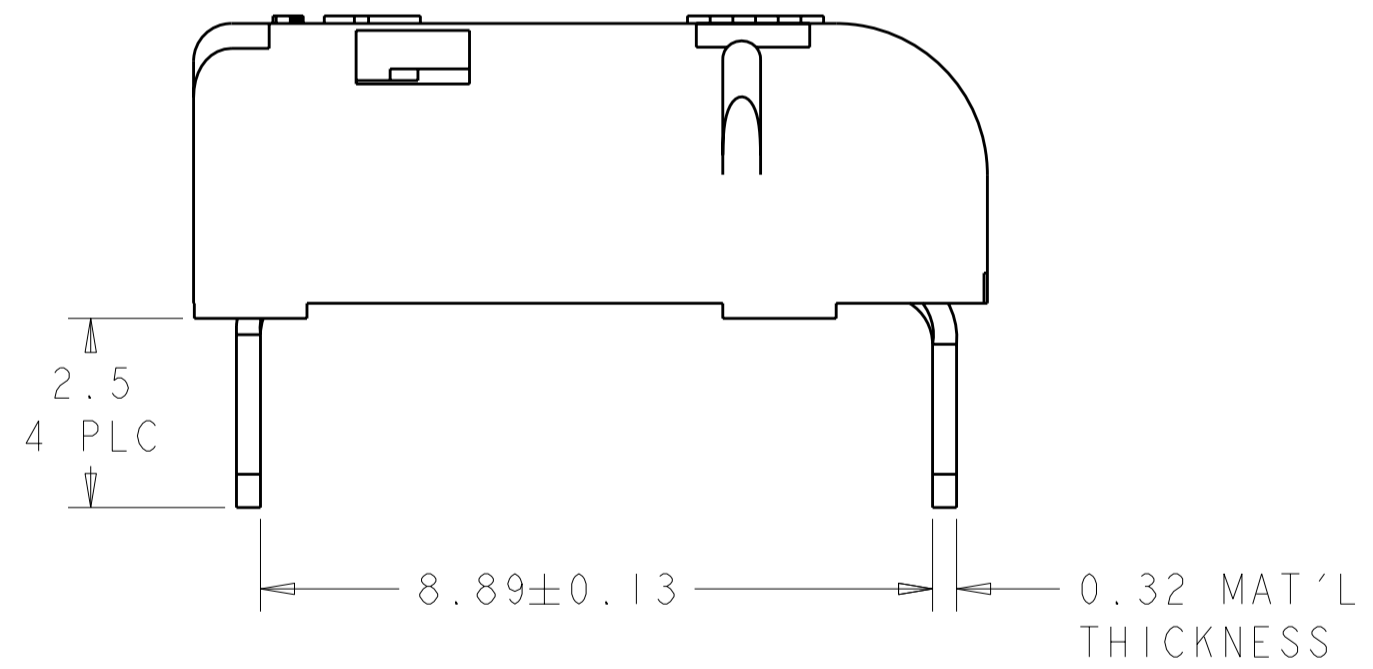
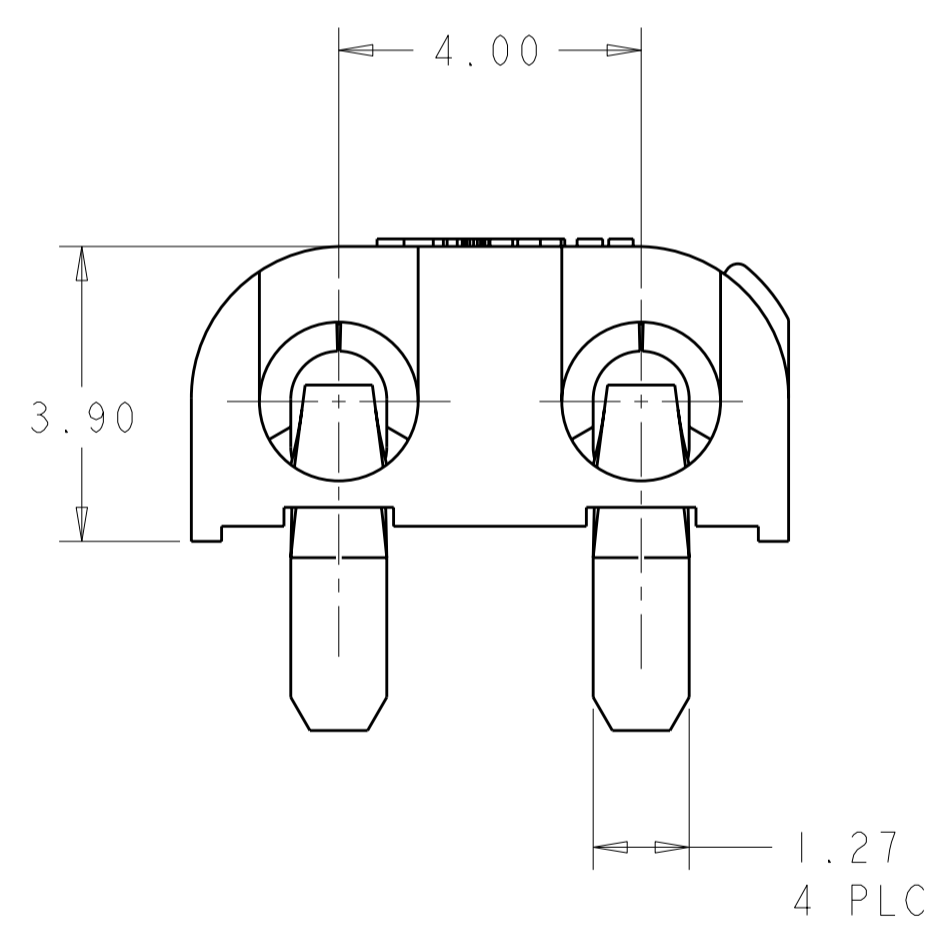


THIS DRAWING IS UNPUBLISHED. RELEASED FOR PUBLICATION 20
 © COPYRIGHT 20 BY TYCO ELECTRONICS CORPORATION. ALL RIGHTS RESERVED.

LOC		DIST		REVISIONS			
P	LTR	DESCRIPTION	DATE	DWN	APVD		
-	-	A2	REVISD PER ECR-09-002050	30JAN2009	HMR	DD	



- 1. MATERIALS AND FINISH:
 - HOUSING: LCP, COLOR: WHITE
 - CONTACTS: COPPER ALLOY, FINISH: TIN
- 2. MUST COMPLY WITH DIRECTIVE 2002/95/EC (ROHS)
- 3. THIS PRODUCT HAS NOT COMPLETED VALIDATION TESTING.
- 4. WIRE TYPES AND SIZES ACCEPTED
 - 18, 20 AND 22 AWG SOLID WIRE
 - 18 AND 20 AWG PREBOND STRANDED WIRE
 - 18 AWG STRANDED WIRE (16 STRAND COUNT)
 - MAX INSULATION OD: 2.10 MM (.083")
 - STRIP LENGTH: 7.0±1.0 (.276")
- 5. PACKAGED IN TAPE AND REEL
- 6. MATERIALS AND FINISH:
 - HOUSING: LCP, COLOR: BLACK
 - CONTACTS: COPPER ALLOY, FINISH: TIN



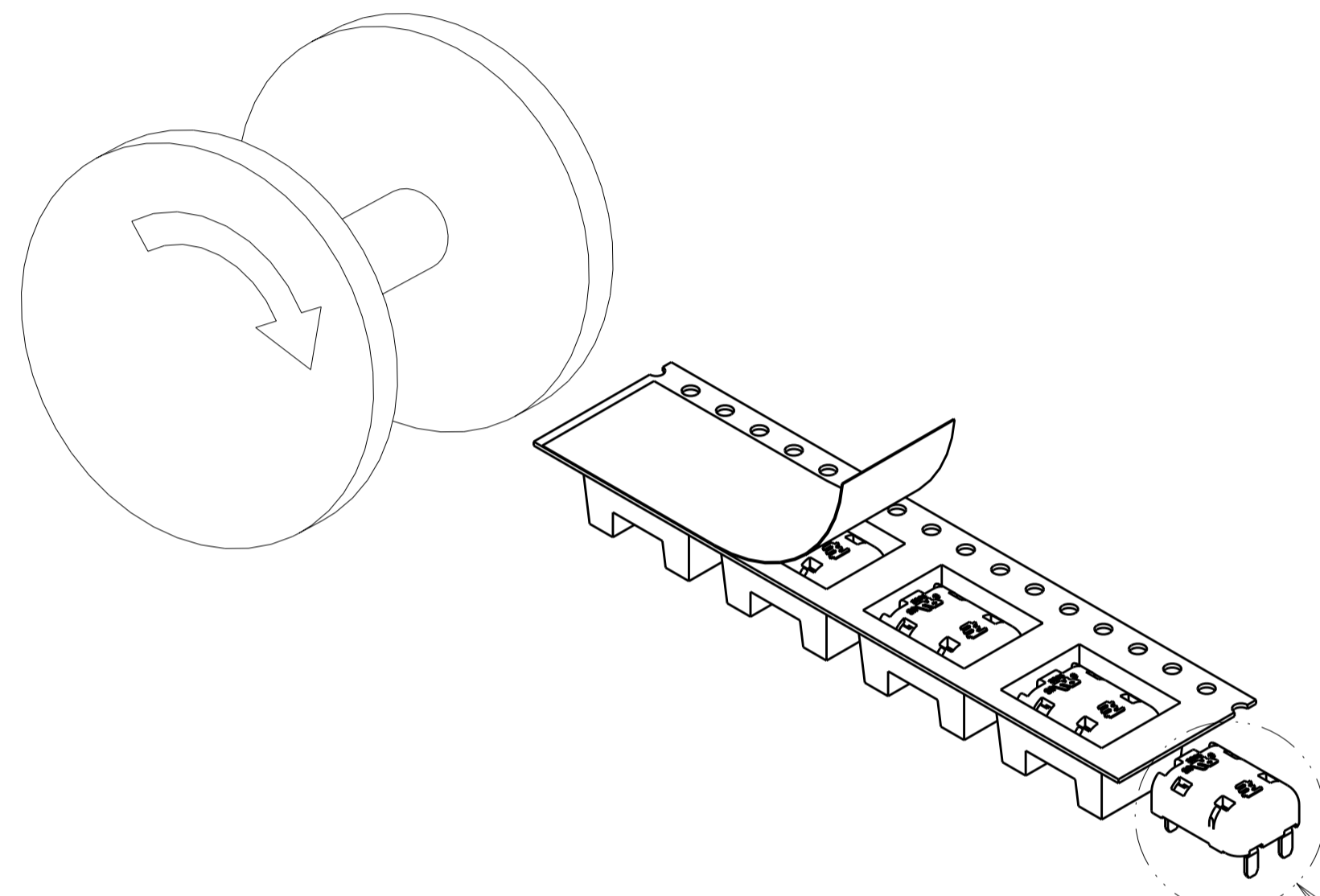
RECOMMENDED PCB LAYOUT
SCALE 6:1

6	BLACK	2008106-2
1	WHITE	2008106-1
	MATERIAL	COLOR
		PART NO.

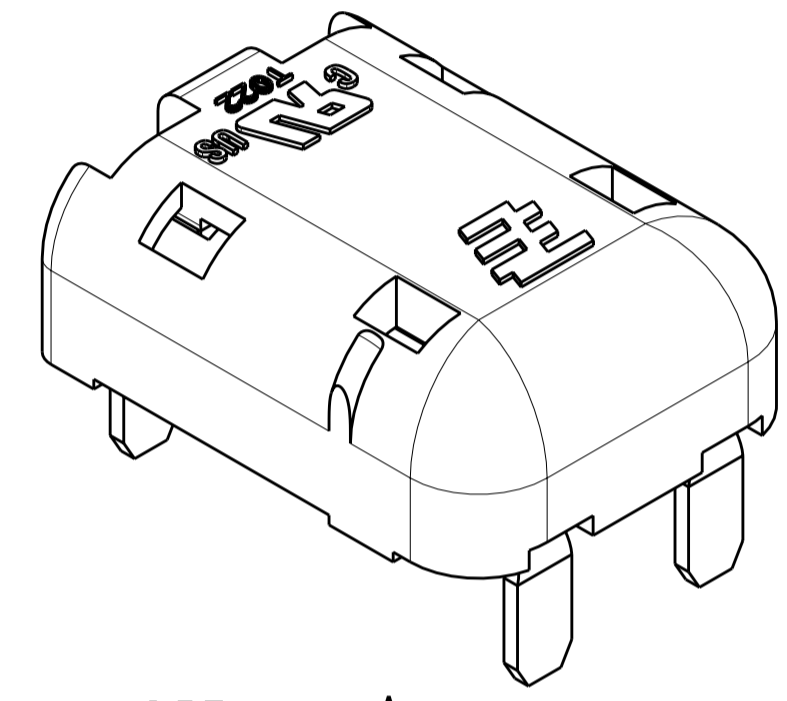
THIS DRAWING IS A CONTROLLED DOCUMENT FOR TYCO ELECTRONICS CORPORATION. IT IS SUBJECT TO CHANGE AND THE CONTROLLING ENGINEERING ORGANIZATION SHOULD BE CONTACTED FOR THE LATEST REVISION.		DWN C. DAILY 06JUN2006	Tyco Electronics Harrisburg, PA 17105-3608	
DIMENSIONS: mm		CHK S. HORST 06JUN2006	NAME POKE-IN LED CONNECTOR ASSEMBLY, THRU HOLE	
TOLERANCES UNLESS OTHERWISE SPECIFIED: 0 PLC ± 1 PLC ±0.5 2 PLC ±0.10 3 PLC ± 4 PLC ± ANGLES ±3° FINISH		APVD -	PRODUCT SPEC 108-2284	RESTRICTED TO -
MATERIAL SEE TABLE		APPLICATION SPEC 114-13194	SIZE A2	CAGE CODE 00779
SEE TABLE		WEIGHT -	DRAWING NO 2008106	REV A2
CUSTOMER DRAWING		SCALE 1:1	SHEET 1	OF 2

THIS DRAWING IS UNPUBLISHED. RELEASED FOR PUBLICATION 20
 © COPYRIGHT 20 BY TYCO ELECTRONICS CORPORATION. ALL RIGHTS RESERVED.

LOC		DIST		REVISIONS			
P	LTR	DESCRIPTION	DATE	DWN	APVD		
-	-	SEE SHEET 1	-	-	-		



TAPE AND REEL PACKAGING DIAGRAM
 SCALE 2:1



DETAIL A
 SCALE 8:1

SEE DETAIL A

<small>THIS DRAWING IS A CONTROLLED DOCUMENT FOR TYCO ELECTRONICS CORPORATION IT IS SUBJECT TO CHANGE AND THE CONTROLLING ENGINEERING ORGANIZATION SHOULD BE CONTACTED FOR THE LATEST REVISION.</small>		DWN C. DAILY 06 JUN 2006 CHK S. HORST 06 JUN 2006 APVD -	Tyco Electronics Tyco Electronics Harrisburg, PA 17105-3608
DIMENSIONS: mm 	TOLERANCES UNLESS OTHERWISE SPECIFIED: 0 PLC ± 1 PLC ±0.5 2 PLC ±0.10 3 PLC ± 4 PLC ± ANGLES ±3° FINISH	PRODUCT SPEC 108-2284 APPLICATION SPEC 114-13194 WEIGHT -	NAME POKE-IN LED CONNECTOR ASSEMBLY, THRU HOLE SIZE A2 CAGE CODE 00779 DRAWING NO. C-2008106 RESTRICTED TO -
MATERIAL SEE TABLE	SEE TABLE	CUSTOMER DRAWING	SCALE 1:1 SHEET 2 OF 2 REV A2

X-ON Electronics

Largest Supplier of Electrical and Electronic Components

Click to view similar products for [Lighting Connectors](#) category:

Click to view products by [TE Connectivity](#) manufacturer:

Other Similar products are found below :

[21061-9](#) [293300-7](#) [2106117-2](#) [293660-5](#) [293700-2](#) [CNX_H03_NTP](#) [30-9767-BU](#) [3-21030-1](#) [ZCH-110-RGB-I](#) [503471-0290](#) [ES5P09K4F2](#)
[CNXH02NTP](#) [ZCH-110-RGB-J](#) [217-0716-200](#) [192992-0057](#) [1954563-1](#) [217-3030-000](#) [217-3032-000](#) [237-0734-003](#) [DTS24W25-20PN-LC](#)
[1-2213614-2](#) [2834049-3](#) [ES9S002SZZ](#) [2834049-2](#) [2-2834067-3](#) [1-293657-2](#) [2834049-1](#) [293699-2](#) [293701-3](#) [1-2213614-3](#) [2834036-1](#)
[2834037-1](#) [2213614-3](#) [2307526-2](#) [2-2106124-3](#) [2-2834068-3](#) [FLS2SC4001BP](#) [FLSC80352000](#) [FLSC80354000](#) [FLSC80353000](#) [FLSSB8002](#)
[FLSSB8001](#) [FLSC80351000](#) [FLSC80355000](#) [FLSSB4001](#) [FLSC80504000](#) [FLSC80502000](#) [FLSC80501000](#) [FLSSR4001](#) [X3700WM-02HF-](#)
[LPSN](#)