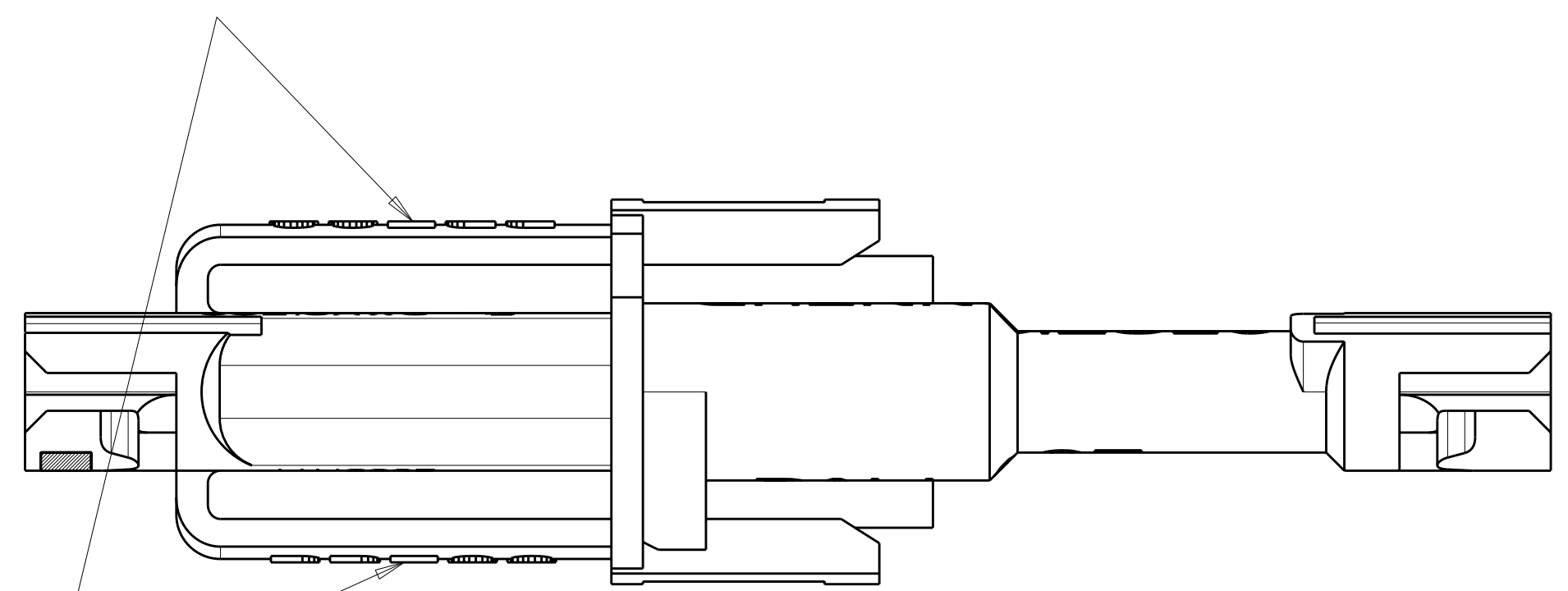
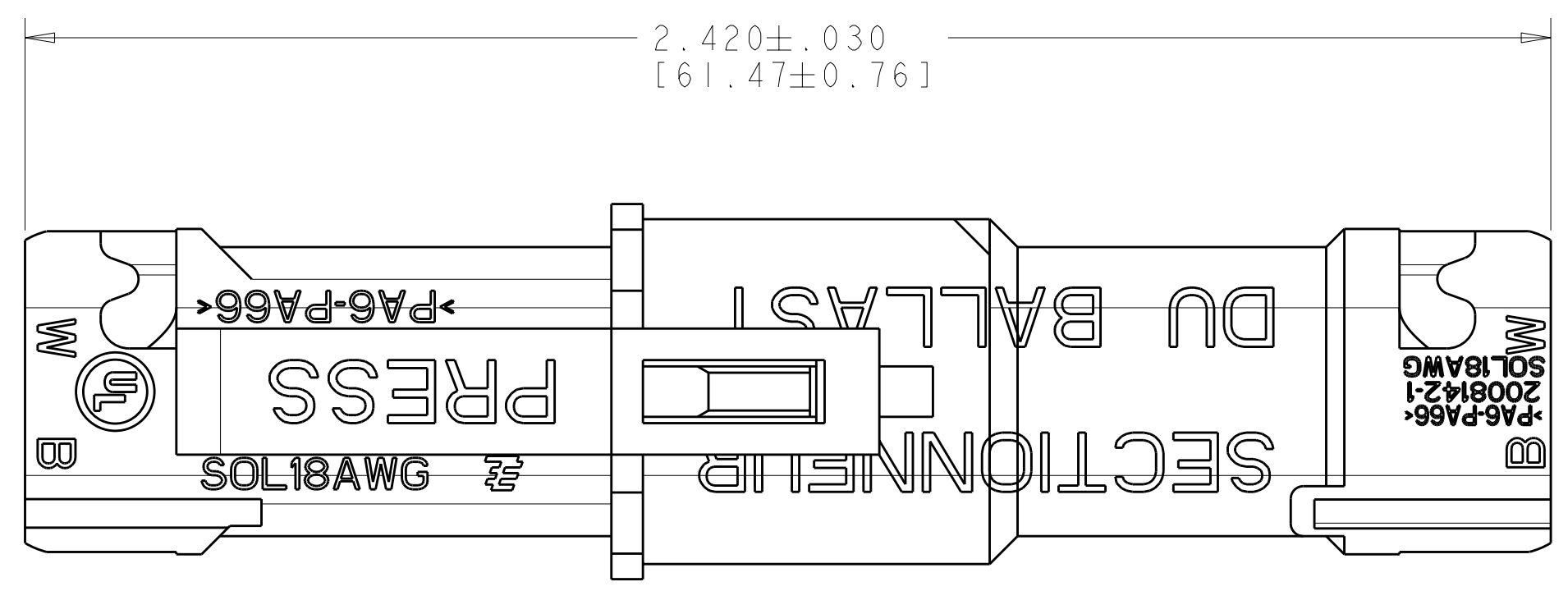
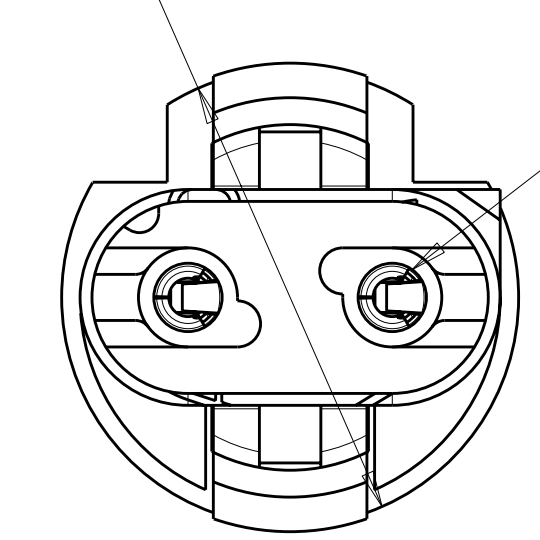


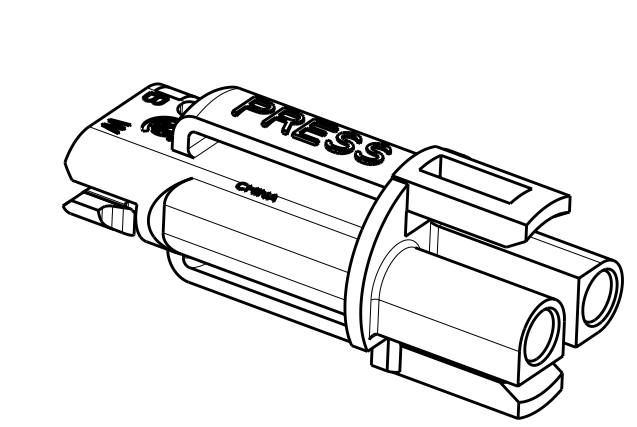
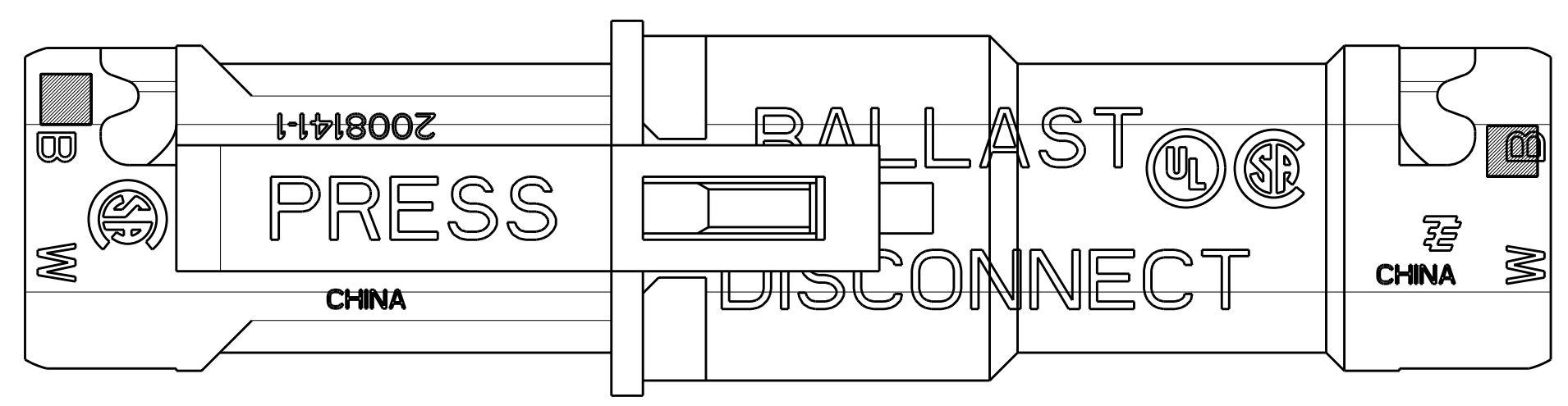
| LOC | DIST | REVISIONS | | | |
|-----|------|-------------|---------------------------|-----------|--------|
| REV | DATE | DESCRIPTION | DATE | DWN | APVD |
| AF | 50 | A1 | REVISED PER ECO-11-005027 | 14MAR2011 | RK HMR |



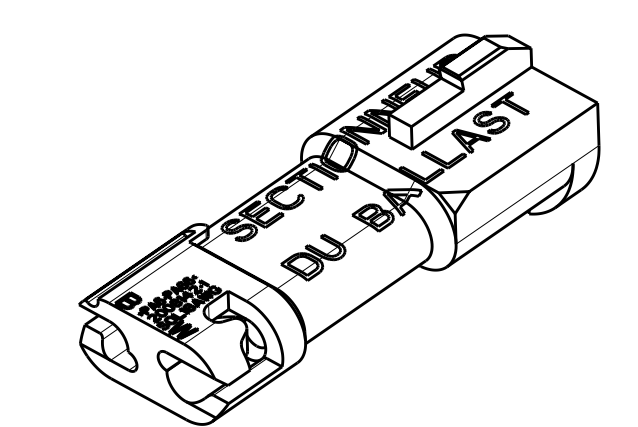
Ø .595 ± .010
[15.11 ± 0.25]



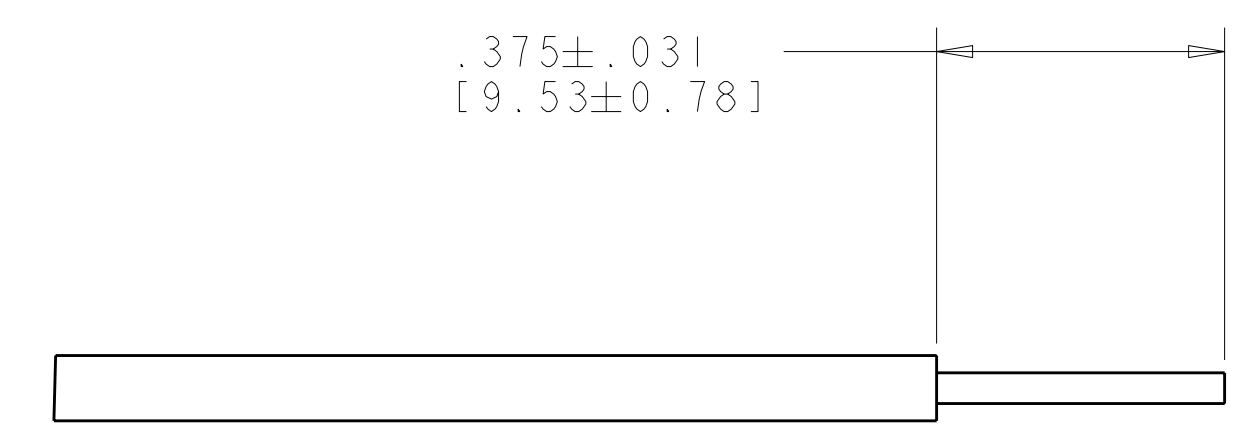
ACCEPTS 18 AWG SOLID WIRE
WITH .086 [2.18] MAX INSULATION DIAMETER
BOTH CONNECTORS



PLUG CONNECTOR ASSEMBLY



RECEPTACLE CONNECTOR ASSEMBLY



RECOMMENDED WIRE STRIP LENGTH

2008144-1
PART NUMBER

| | | | | |
|--|-------|----------------------------------|-----------------|--|
| THIS DRAWING IS A CONTROLLED DOCUMENT. | | DWN C. DAILY 23APR2007 | TE Connectivity | |
| DIMENSIONS: IN [mm] | | CHK J. LANDIS 23APR2007 | APVD | |
| TOLERANCES UNLESS OTHERWISE SPECIFIED: | | NAME | | |
| Ø | PLC ± | ASSEMBLY, MATED PAIR, 2 POSITION | | |
| PLC | PLC ± | PLUG AND RECEPTACLE | | |
| PLC | PLC ± | PT, LIGHT-N-LOK | | |
| PLC | PLC ± | PRODUCT SPEC | | |
| PLC | PLC ± | 108-2275 | | |
| PLC | PLC ± | APPLICATION SPEC | | |
| PLC | PLC ± | 114-13204 | | |
| PLC | PLC ± | SIZE CAGE CODE DRAWING NO | | |
| PLC | PLC ± | A100779C=2008144 | | |
| PLC | PLC ± | RESTRICTED TO | | |
| PLC | PLC ± | WEIGHT | | |
| PLC | PLC ± | CUSTOMER DRAWING | | |
| PLC | PLC ± | SCALE 2:1 SHEET 1 OF 1 REV A1 | | |

X-ON Electronics

Largest Supplier of Electrical and Electronic Components

Click to view similar products for [Lighting Connectors](#) category:

Click to view products by [TE Connectivity](#) manufacturer:

Other Similar products are found below :

[293300-7](#) [293660-5](#) [CNX_H03_NTP](#) [30-9767-BU](#) [3605](#) [3-21030-1](#) [ZCH-110-RGB-I](#) [503471-0290](#) [ZCH-110-RGB-J](#) [217-0716-200](#)
[1954563-1](#) [1-293657-2](#) [2834036-1](#) [2834037-1](#) [1-2213222-4](#) [2-2213222-4](#) [2213222-4](#) [2834122-3](#) [2834122-5](#) [2834135-2](#) [FLA-R4142-30](#)
[FLA-R4162-30](#) [FLA-R2142-30](#) [FLA-R2141-30](#) [FLA-R2162-30](#) [FLA-R2161-30](#) [FLA-R0161-30](#) [FLA-R0141-30](#) [FLA-R0142-30](#) [FLA-](#)
[R0162-30](#) [FLA-C00-00](#) [DGA00010553](#) [CNXV04NTP](#) [104128-0610](#) [503485-0000 \(Cut Strip\)](#) [503485-0000 \(Loose Piece\)](#) [503485-0000](#)
[\(MINI Reel\)](#) [1-2834074-2](#) [1-2834074-3](#) [1357-AC PLUG W2C \(CHINA\)](#) [1357-AC PLUG W2 \(USA\)](#) [104266-0110](#) [2106212-1](#) [2-2834074-2](#)
[104266-0210](#) [293470-1](#) [293651-2](#) [293651-4](#) [1-2834006-2](#) [293651-1](#)