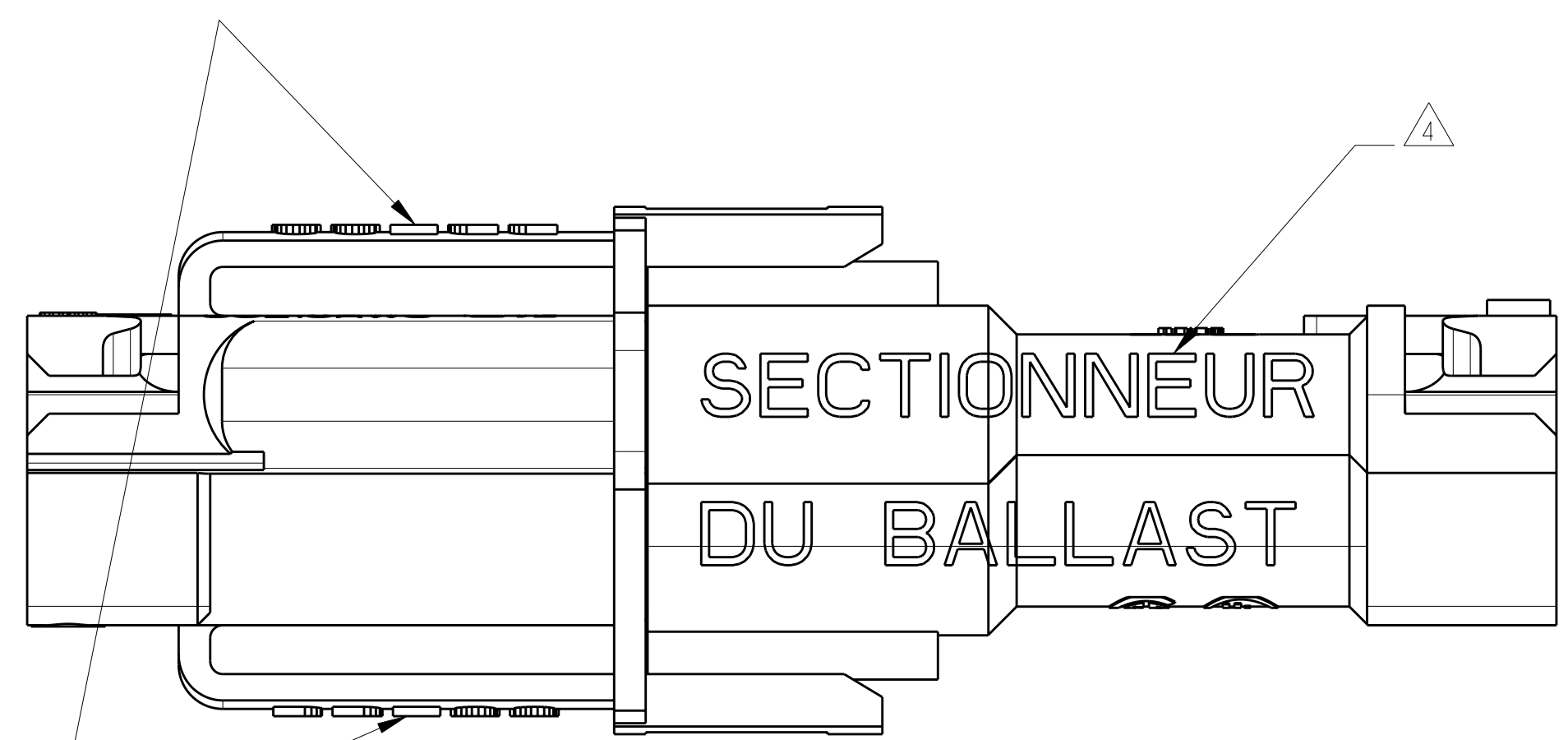
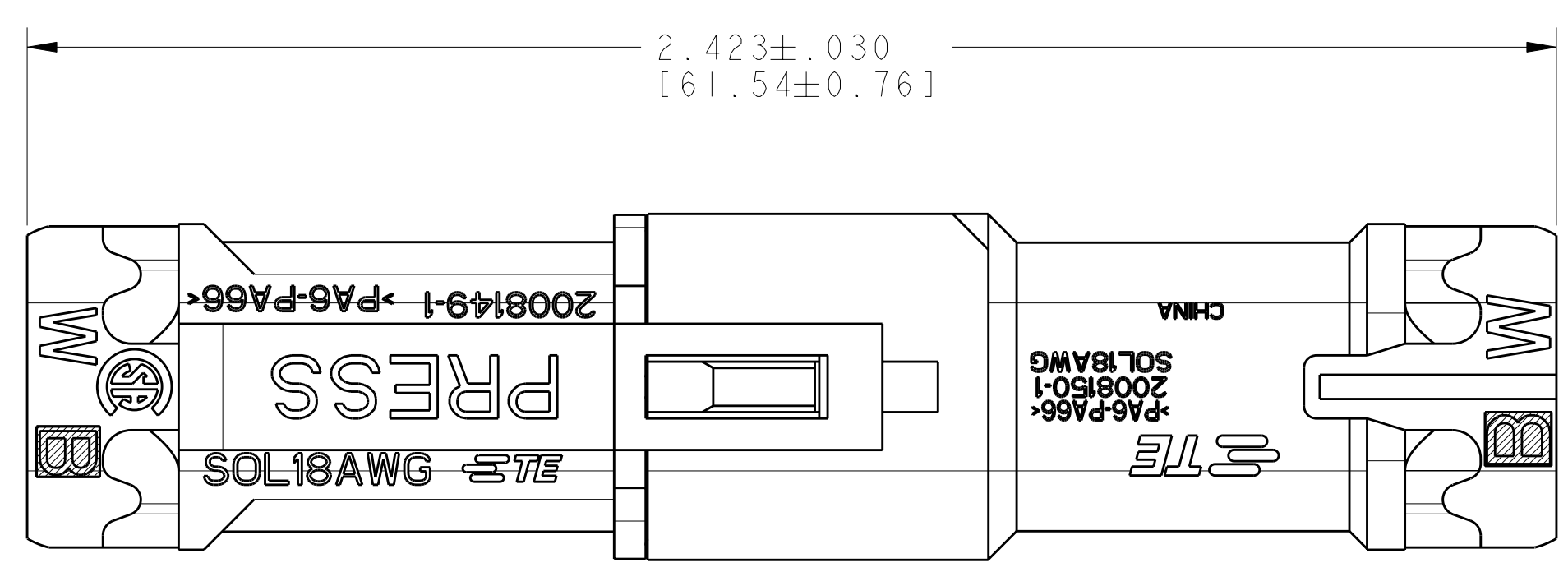
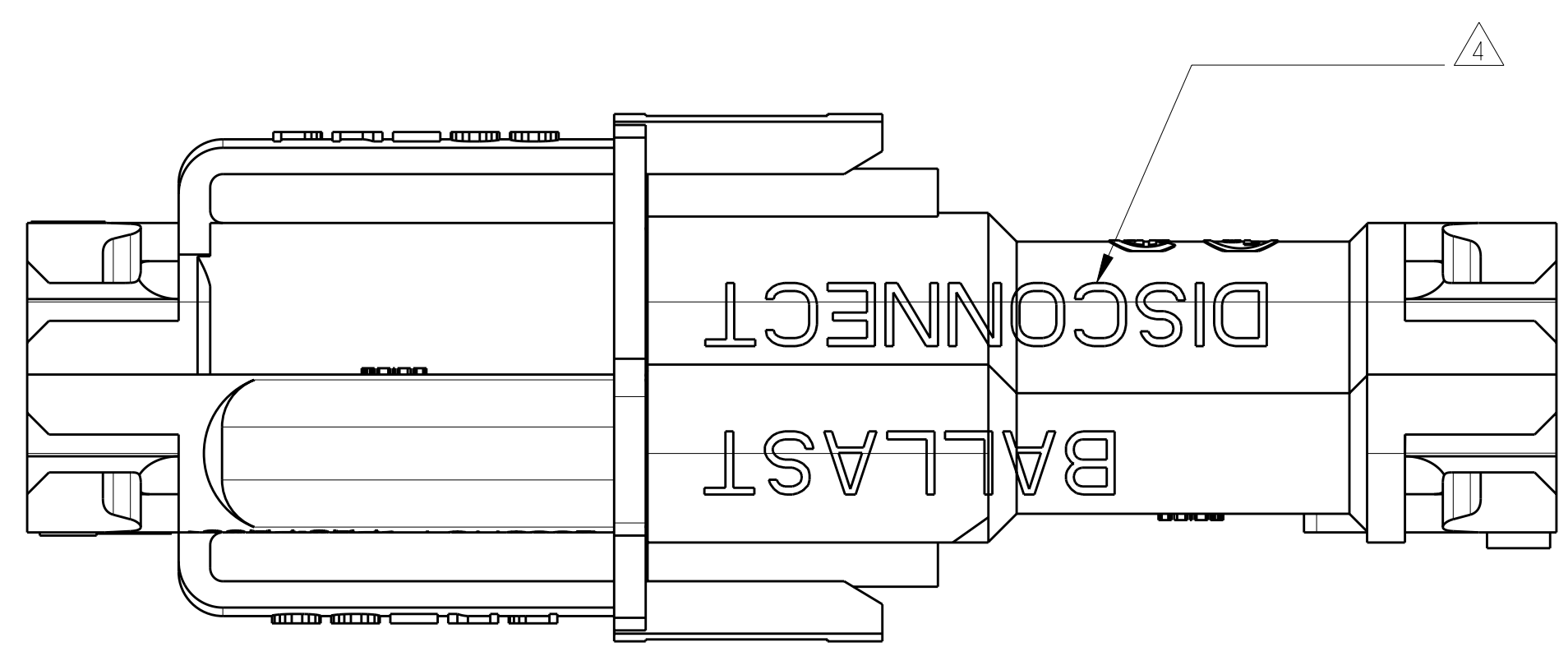
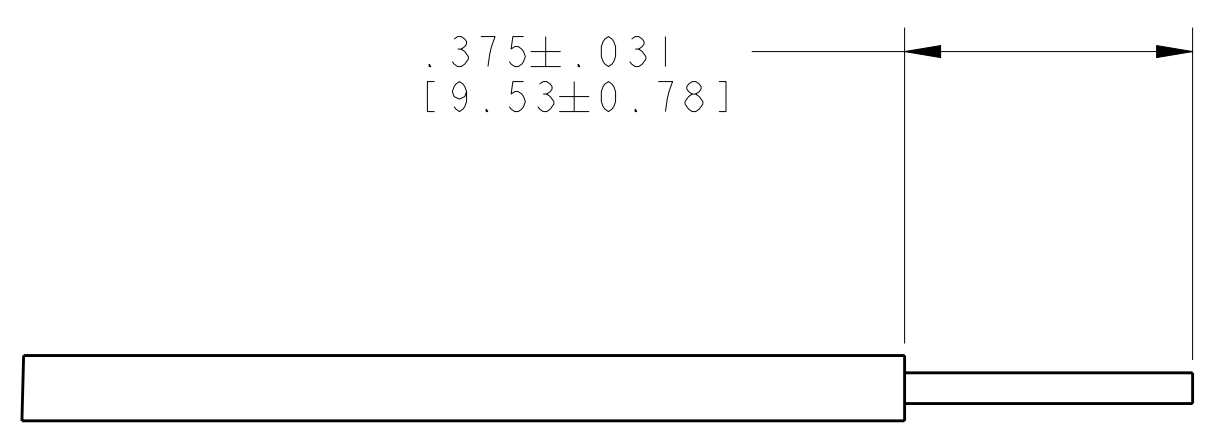


LOC	DIST	REV	DATE	BY	APPD
		B2	27FEB2009	HMR	DD
		B3	18DEC2011	HVG	DD



PRESS TO RELEASE



RECOMMENDED WIRE STRIP

△ MATERIAL:
 HOUSINGS: POLYAMIDE, COLOR: NATURAL
 CONTACTS: PHOSPHOR BRONZE
 INK: BLACK

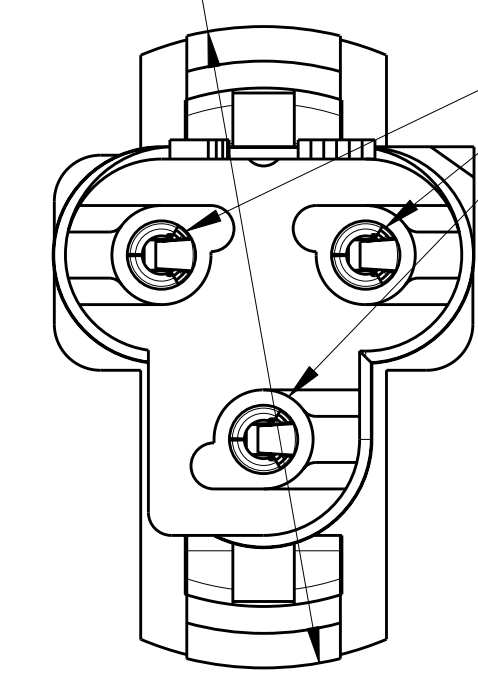
△ FINISH:
 CONTACTS: TIN PLATED

3. SEE INSTRUCTION SHEET 408-10154

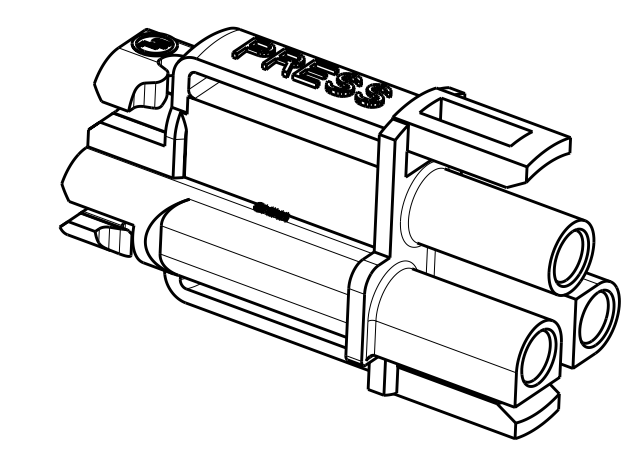
△ SIDES MAY BE REVERSED

△ MATERIAL:
 HOUSING: POLYAMIDE, COLOR: ORANGE,
 CONTACT: PHOS BRONZE
 INK: BLACK

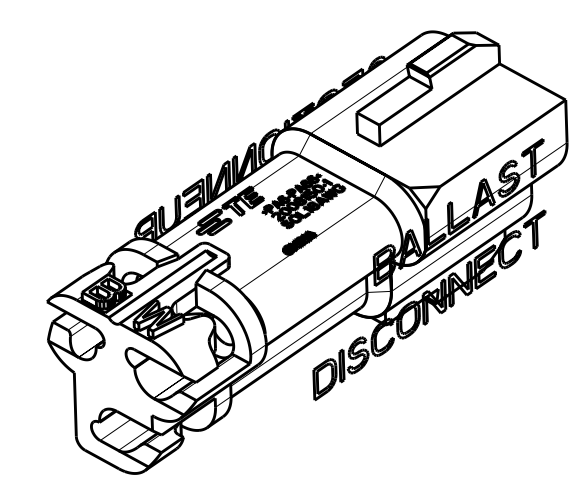
∅ .835 ± 0.010
 [21.21 ± 0.25]



ACCEPTS 18 AWG SOLID WIRE
 WITH .086 [2.18] MAX INSULATION DIAMETER
 BOTH CONNECTORS



PLUG CONNECTOR ASSEMBLY



RECEPTACLE CONNECTOR ASSEMBLY

△	2008152-2
△	2008152-1
MATERIAL	PART NUMBER

THIS DRAWING IS A CONTROLLED DOCUMENT.		OWN: C. DAILY 23APR2007	NAME: ASSEMBLY, MATED PAIR, 3 POSITION PLUG AND RECEPTACLE PT, LIGHT-N-LOK	
DIMENSIONS: IN		CHK: J. LANDIS 23APR2007	RESTRICTED TO	
TOLERANCES UNLESS OTHERWISE SPECIFIED:		APVD: -	SCALE: 2:1 SHEET 1 OF 1 REV: B3	
0 PLC	±	PRODUCT SPEC	A100779C=2008152	
1 PLC	±	108-2275		
2 PLC	±	APPLICATION SPEC		
3 PLC	±	114-13207		
4 PLC	±	WEIGHT		
ANGLES	±	CUSTOMER DRAWING		
MATERIAL	FINISH			

X-ON Electronics

Largest Supplier of Electrical and Electronic Components

Click to view similar products for [Lighting Connectors](#) category:

Click to view products by [TE Connectivity](#) manufacturer:

Other Similar products are found below :

[293300-7](#) [293660-5](#) [CNX_H03_NTP](#) [30-9767-BU](#) [3605](#) [3-21030-1](#) [ZCH-110-RGB-I](#) [503471-0290](#) [ZCH-110-RGB-J](#) [217-0716-200](#)
[1954563-1](#) [1-293657-2](#) [2834036-1](#) [2834037-1](#) [1-2213222-4](#) [2-2213222-4](#) [2213222-4](#) [2834122-3](#) [2834122-5](#) [2834135-2](#) [FLA-R4142-30](#)
[FLA-R4162-30](#) [FLA-R2142-30](#) [FLA-R2141-30](#) [FLA-R2162-30](#) [FLA-R2161-30](#) [FLA-R0161-30](#) [FLA-R0141-30](#) [FLA-R0142-30](#) [FLA-](#)
[R0162-30](#) [FLA-C00-00](#) [DGA00010553](#) [CNXV04NTP](#) [104128-0610](#) [503485-0000 \(Cut Strip\)](#) [503485-0000 \(Loose Piece\)](#) [503485-0000](#)
[\(MINI Reel\)](#) [1-2834074-2](#) [1-2834074-3](#) [1357-AC PLUG W2C \(CHINA\)](#) [1357-AC PLUG W2 \(USA\)](#) [104266-0110](#) [CNXV02NTP](#) [2106212-1](#)
[2-2834074-2](#) [104266-0210](#) [293470-1](#) [293651-2](#) [293651-4](#) [1-2834006-2](#)