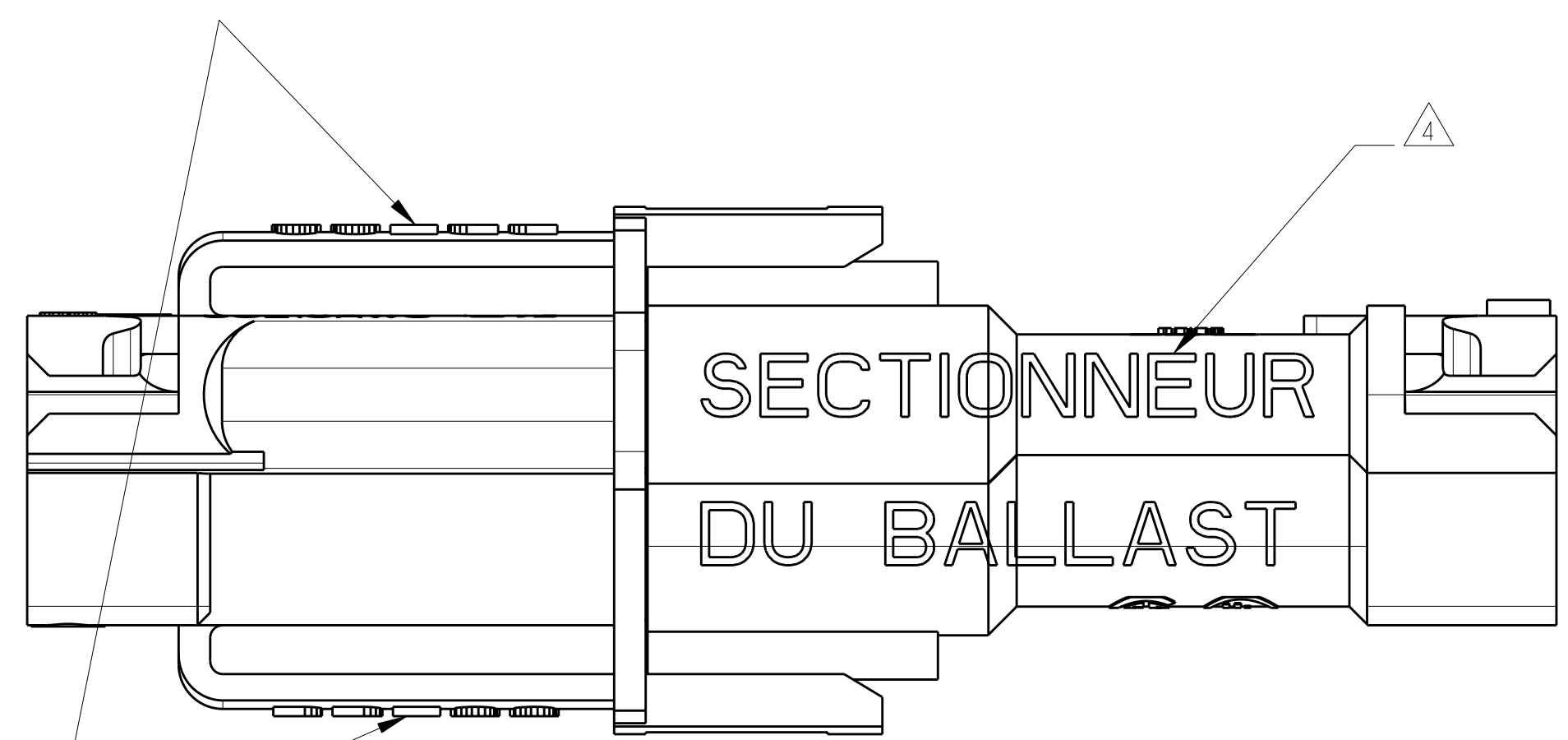
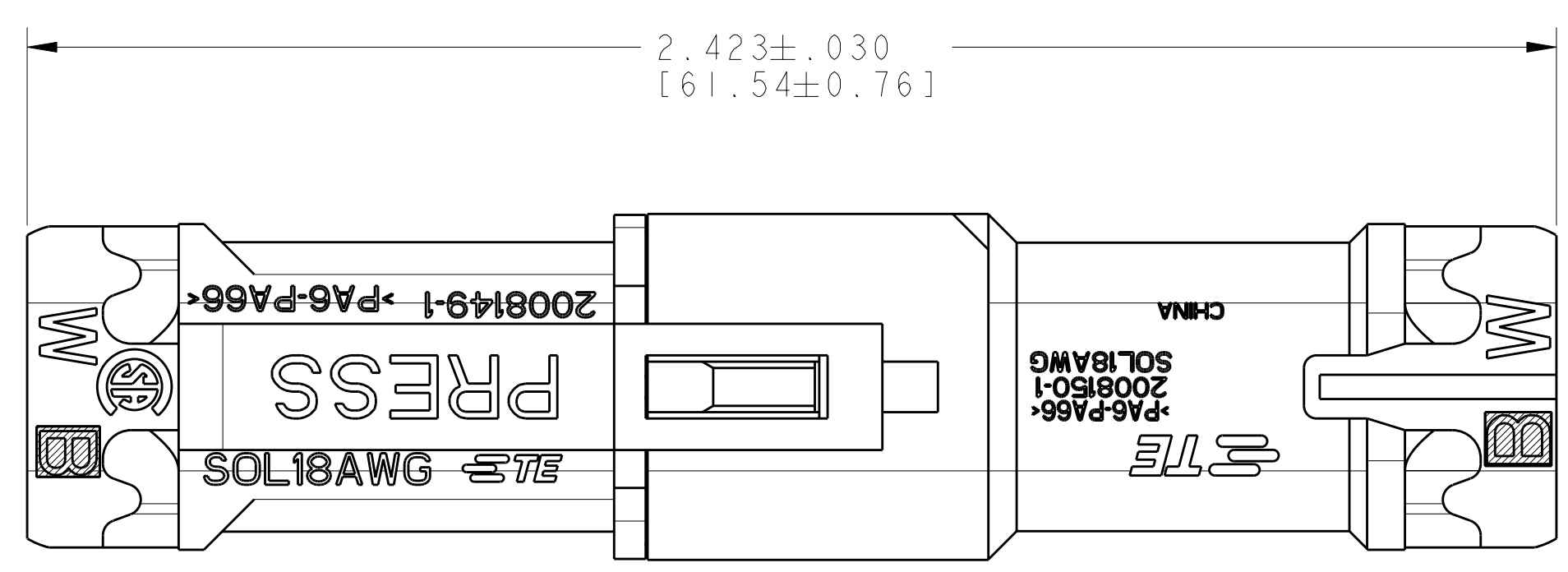
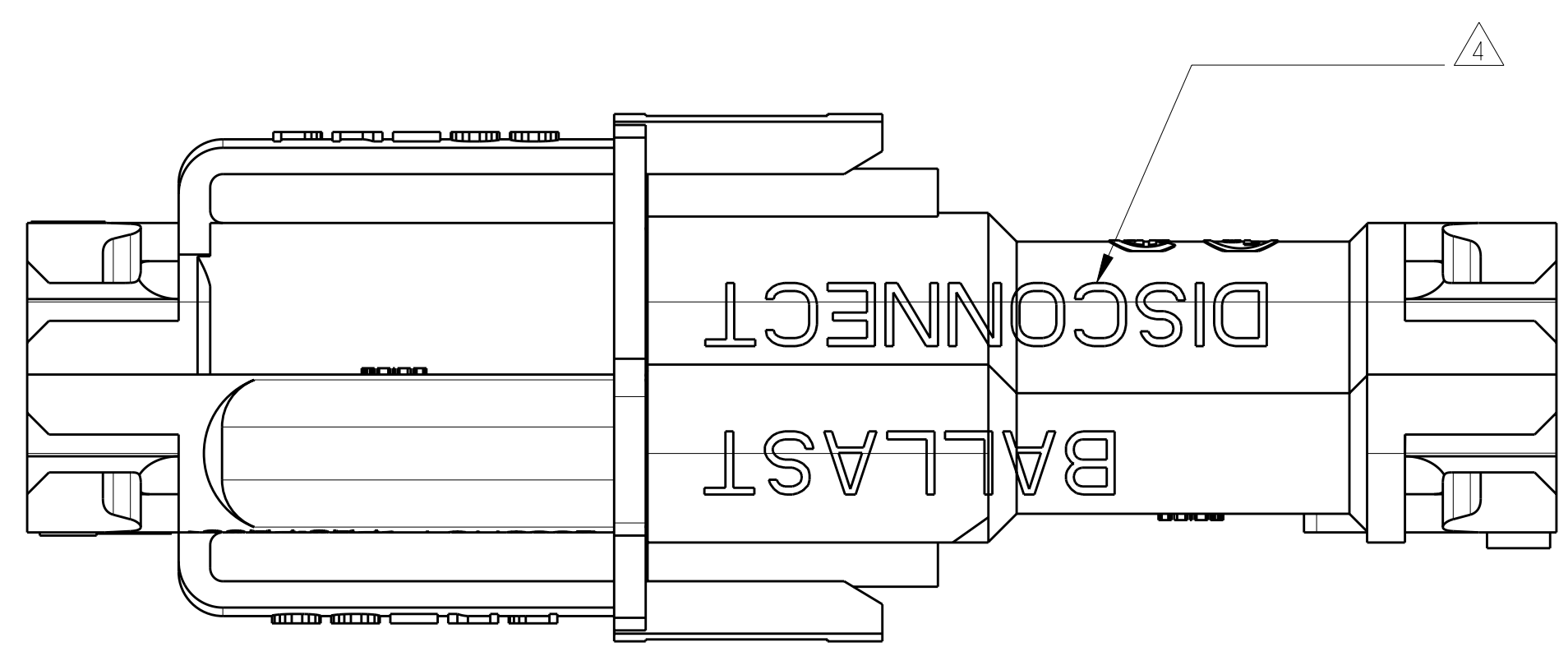
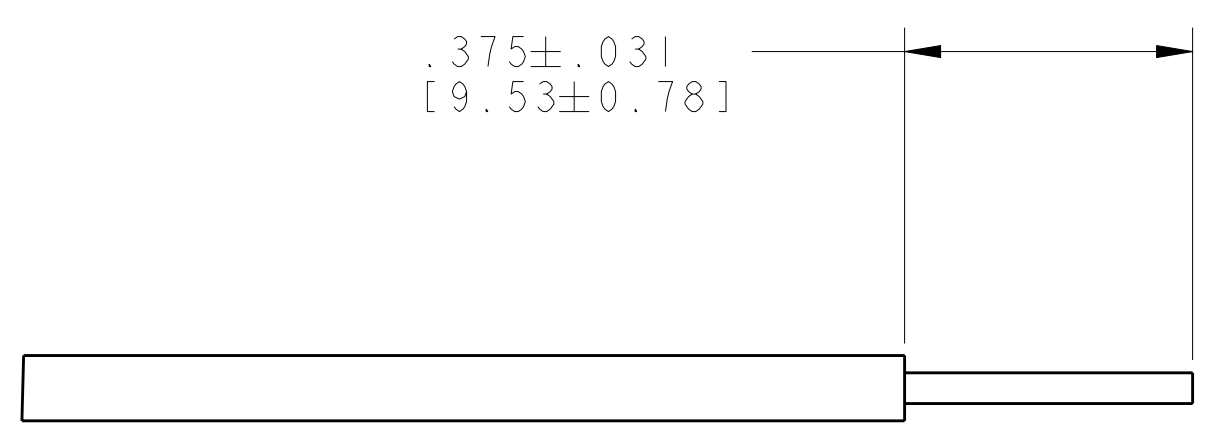


LOC	DIST	REV	DATE	BY	APPD
		B2	27FEB2009	HMR	DD
		B3	18DEC2011	HVG	DD



PRESS TO RELEASE



RECOMMENDED WIRE STRIP

△ MATERIAL:
 HOUSINGS: POLYAMIDE, COLOR: NATURAL
 CONTACTS: PHOSPHOR BRONZE
 INK: BLACK

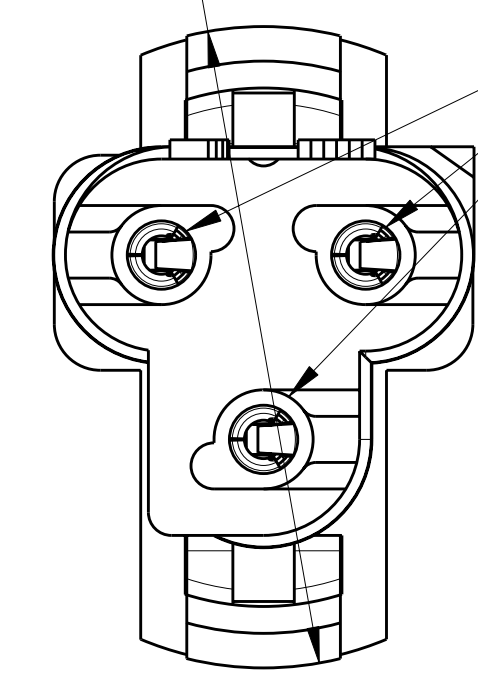
△ FINISH:
 CONTACTS: TIN PLATED

3. SEE INSTRUCTION SHEET 408-10154

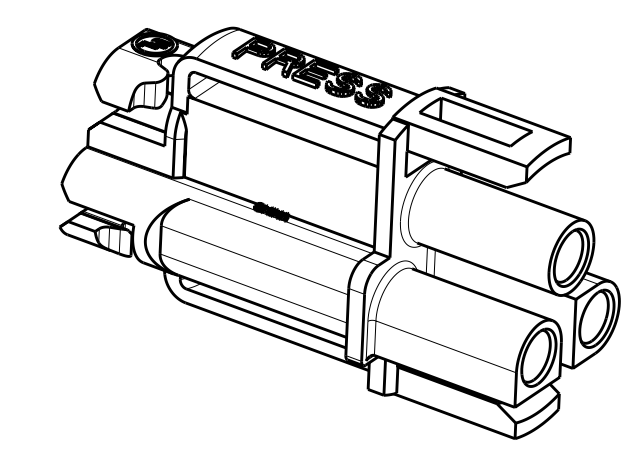
△ SIDES MAY BE REVERSED

△ MATERIAL:
 HOUSING: POLYAMIDE, COLOR: ORANGE,
 CONTACT: PHOS BRONZE
 INK: BLACK

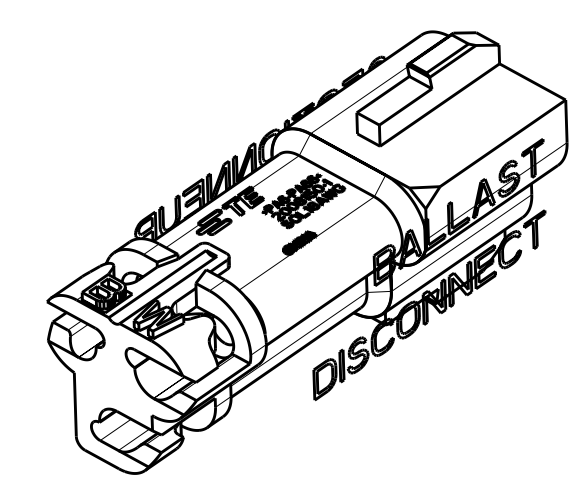
∅.835±.010
 [21.21±0.25]



ACCEPTS 18 AWG SOLID WIRE
 WITH .086 [2.18] MAX INSULATION DIAMETER
 BOTH CONNECTORS



PLUG CONNECTOR ASSEMBLY



RECEPTACLE CONNECTOR ASSEMBLY

△	2008152-2
△	2008152-1
MATERIAL	PART NUMBER

THIS DRAWING IS A CONTROLLED DOCUMENT.		OWN C. DAILY 23APR2007	NAME ASSEMBLY, MATED PAIR, 3 POSITION PLUG AND RECEPTACLE PT, LIGHT-N-LOK	
DIMENSIONS: IN		CHK J. LANDIS 23APR2007	RESTRICTED TO	
TOLERANCES UNLESS OTHERWISE SPECIFIED:		APVD	SCALE 2:1 SHEET 1 OF 1 REV B3	
0 PLC ±	1 PLC ±	PRODUCT SPEC	A100779C=2008152	
2 PLC ±	3 PLC ±	108-2275		
4 PLC ±	5 PLC ±	APPLICATION SPEC		
ANGLES ±	FINISH	114-13207		
MATERIAL		WEIGHT		
FINISH		CUSTOMER DRAWING		

X-ON Electronics

Largest Supplier of Electrical and Electronic Components

Click to view similar products for [Headers & Wire Housings](#) category:

Click to view products by [TE Connectivity](#) manufacturer:

Other Similar products are found below :

[95000-104TRLF](#) [10135584-644402LF](#) [DF62W-EP2022PCA](#) [95000-106TRLF](#) [DF62W-2022SCA](#) [DF62W-EP2022PC](#) [2203348](#) [DF62W-2022SC](#) [1084018](#) [1029039](#) [1084017](#) [802-10-012-10-002000](#) [1112640](#) [1112639](#) [000-34000](#) [0009482033](#) [0009507031](#) [57102-S06-03LF](#) [57202-S52-04LF](#) [PCN6-15S-2.5E](#) [0039019024](#) [58102-G61-06LF](#) [582553-1](#) [0009508121](#) [0050291907](#) [018731A](#) [LY20-4P-DT1-P1E-BR](#) [02.125.8002.8](#) [60101931](#) [60598-1 \(Cut Strip\)](#) [M1625-3R/100](#) [61062-3](#) [61082-181009](#) [636-1427](#) [638009-1](#) [641938-9](#) [641991-4](#) [644168-1](#) [647662-1](#) [65039-019ELF](#) [65817-002LF](#) [65817-015LF](#) [65863-015LF](#) [66207-023LF](#) [67016-026LF](#) [67046-001LF](#) [67095-007LF](#) [68002-116](#) [68016-236H](#) [68648-049](#)