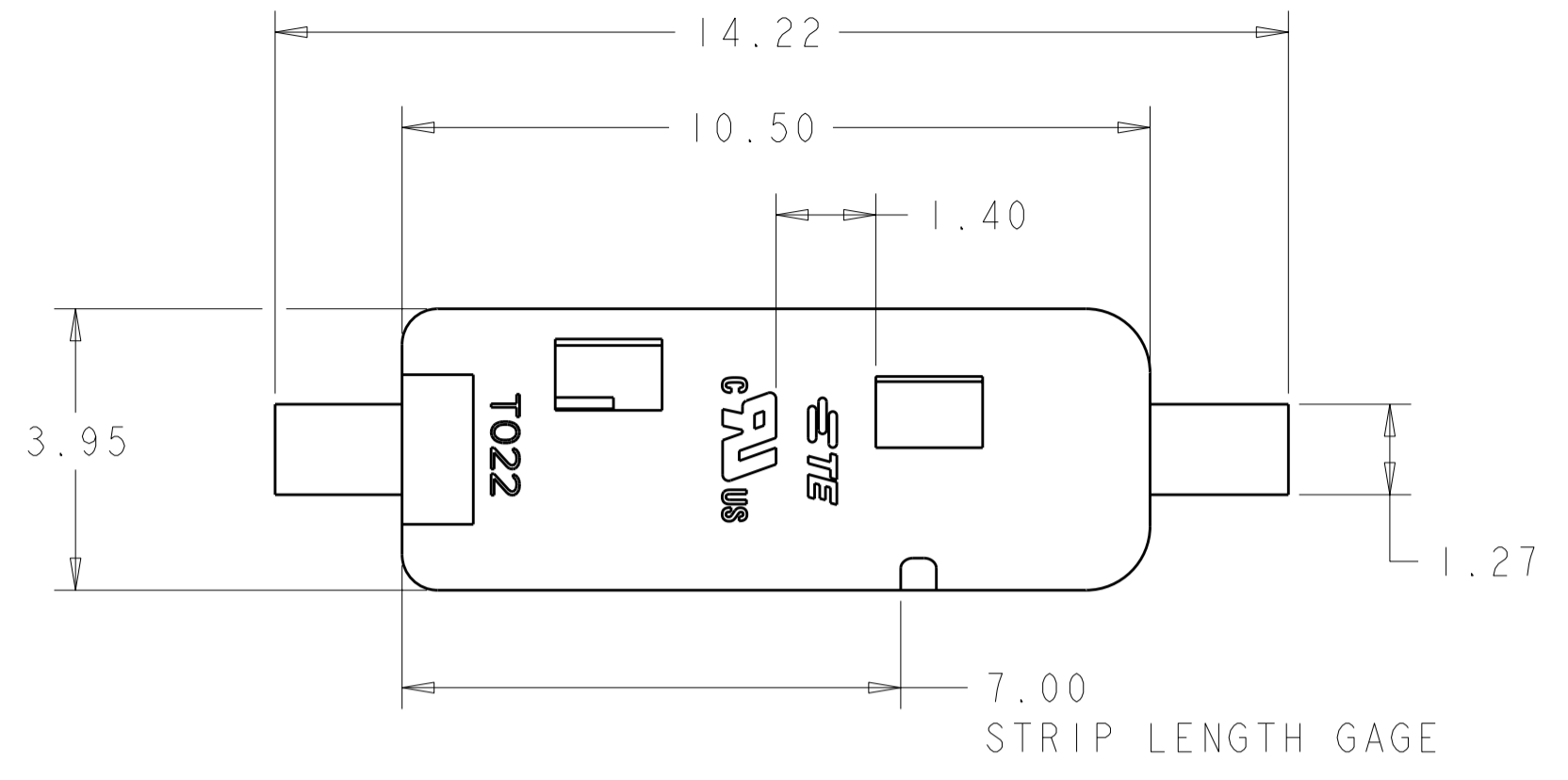
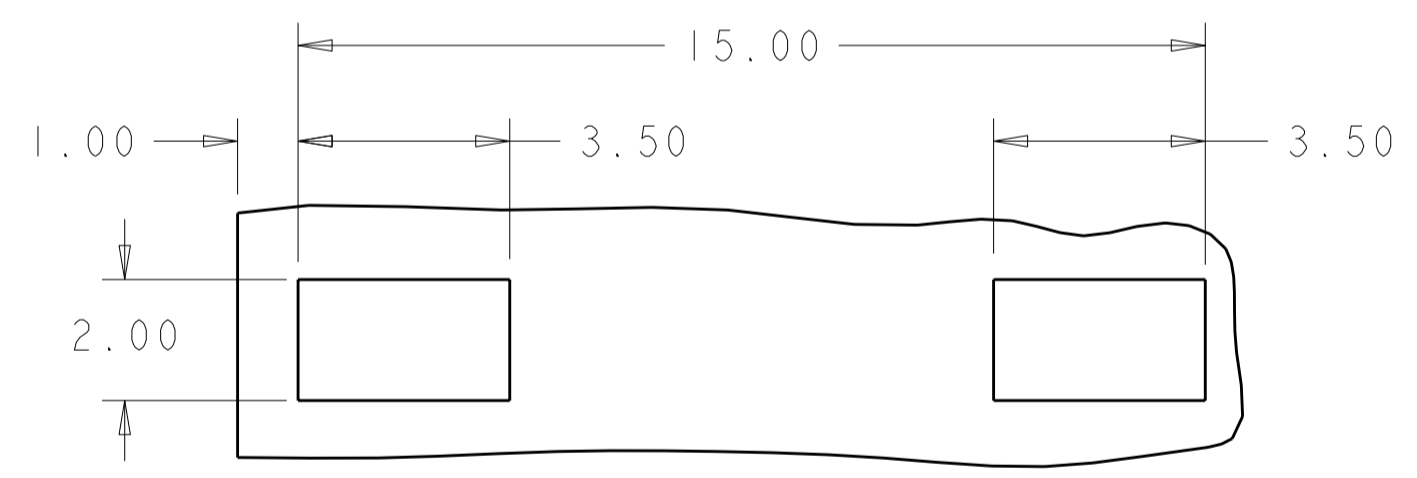
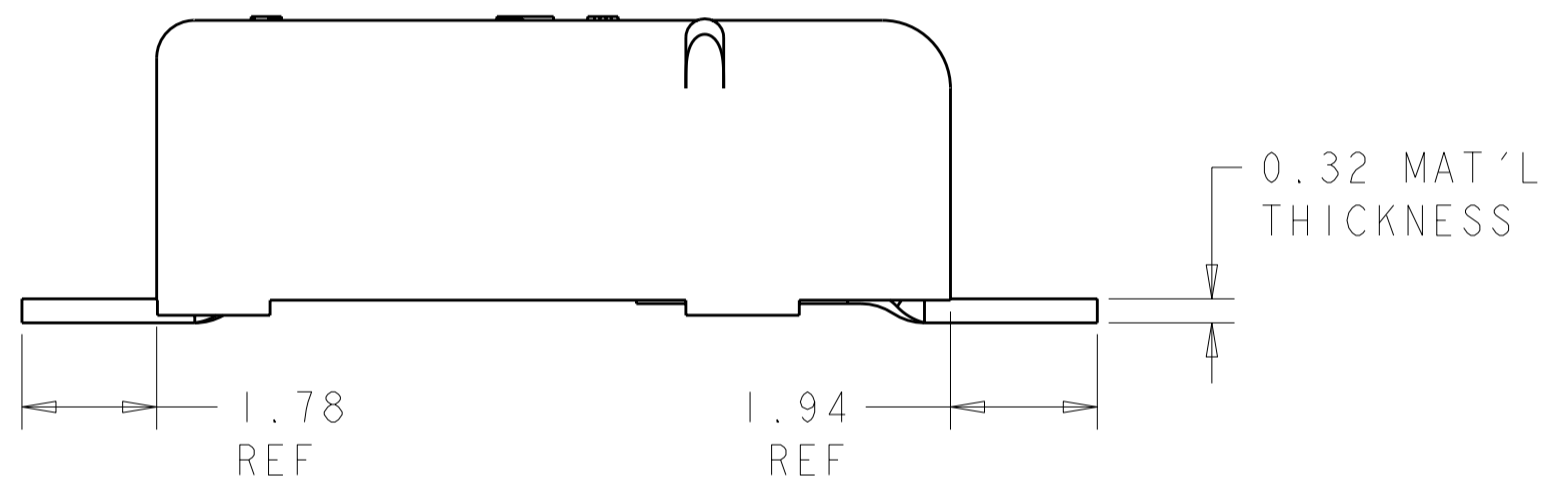
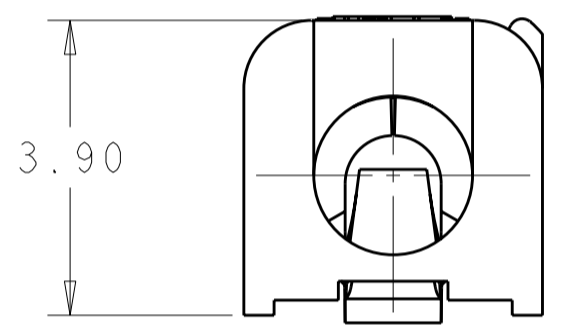


THIS DRAWING IS UNPUBLISHED. RELEASED FOR PUBLICATION 20
 © COPYRIGHT 20 ALL RIGHTS RESERVED.

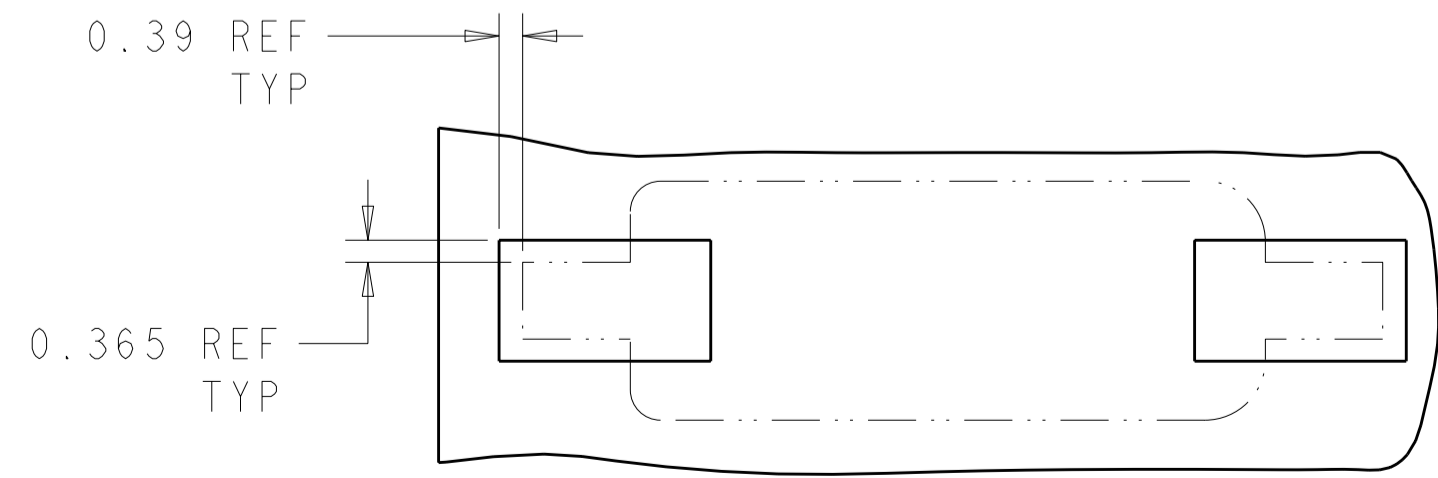
| REVISIONS | | | | | |
|-----------|-----|---------------------------|-----------|-----|------|
| P | LTR | DESCRIPTION | DATE | DWN | APVD |
| A2 | | REVISED PER ECR-09-006358 | 19MAR2009 | HMR | DD |
| A3 | | REVISED PER ECR-11-011090 | 03JUN2011 | SK | DD |



1. MATERIALS AND FINISH:
 - HOUSING: LCP, COLOR: WHITE
 - CONTACTS: COPPER ALLOY, FINISH: TIN
2. MUST COMPLY WITH DIRECTIVE 2002/95/EC (ROHS)
3. WIRE TYPES AND SIZES ACCEPTED
 18, 20 AND 22 AWG SOLID WIRE
 18 AND 20 AWG PREBOND STRANDED WIRE
 18 AWG STRANDED WIRE (16 STRAND COUNT)
 MAX INSULATION OD: 2.10 MM (.083")
 STRIP LENGTH: 7.0±1.0 (.276")
4. PACKAGED IN TAPE AND REEL.



RECOMMENDED PCB LAYOUT
SCALE 8:1



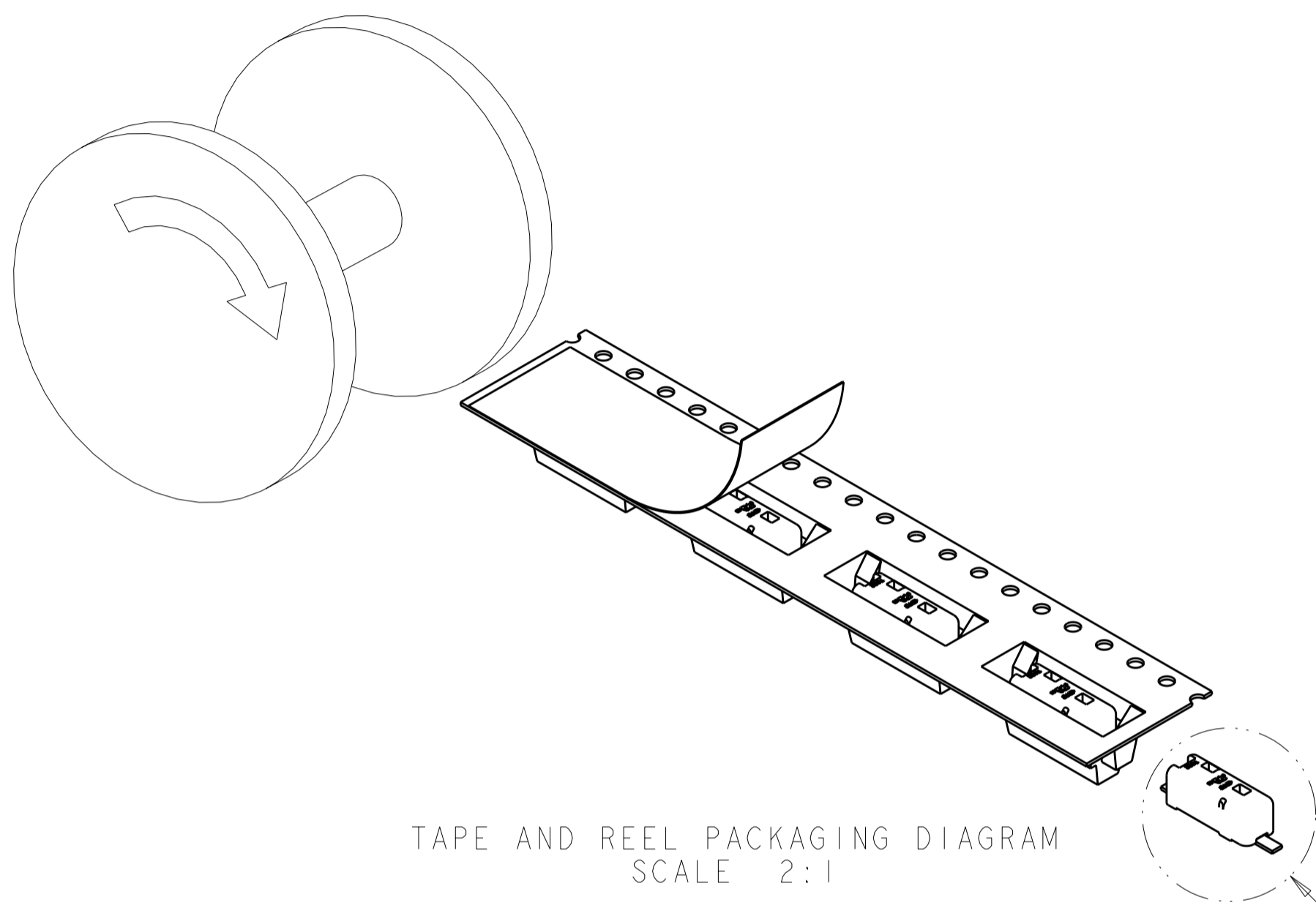
RECOMMENDED CONNECTOR PLACEMENT
SCALE 8:1

| | | |
|----------|-------|-------------|
| 5 | BLACK | 2008563-2 |
| 1 | WHITE | 2008563-1 |
| MATERIAL | COLOR | PART NUMBER |

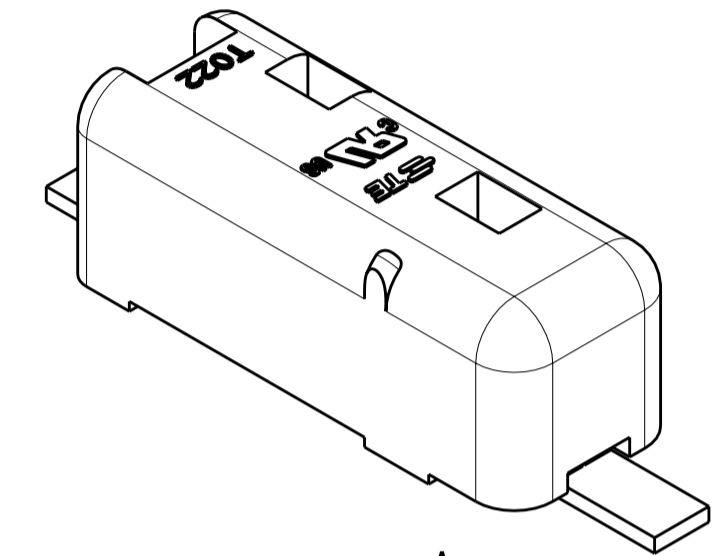
| | | | | |
|--|--|--------------------------|--|--|
| THIS DRAWING IS A CONTROLLED DOCUMENT. | | DWN: GURURAJ S 17OCT2007 | TE Connectivity | |
| DIMENSIONS: mm | | CHK: - | NAME: POKE-IN CONNECTOR ASSEMBLY, 1 POSITION SMT | |
| TOLERANCES UNLESS OTHERWISE SPECIFIED: | | APVD: - | PRODUCT SPEC: - | |
| 0 PLC ± | | APPLICATION SPEC: - | SCALE: 10:1 | |
| 1 PLC ±0.5 | | WEIGHT: - | SHEET 1 OF 2 | |
| 2 PLC ±0.10 | | CUSTOMER DRAWING | REV A3 | |
| 3 PLC ± | | RESTRICTED TO: - | | |
| 4 PLC ± | | SIZE: A2 | CAGE CODE: 00779 | |
| ANGLES ±3° | | DRAWING NO: 2008563 | | |
| FINISH | | | | |

THIS DRAWING IS UNPUBLISHED. RELEASED FOR PUBLICATION 20
 © COPYRIGHT 20 ALL RIGHTS RESERVED.

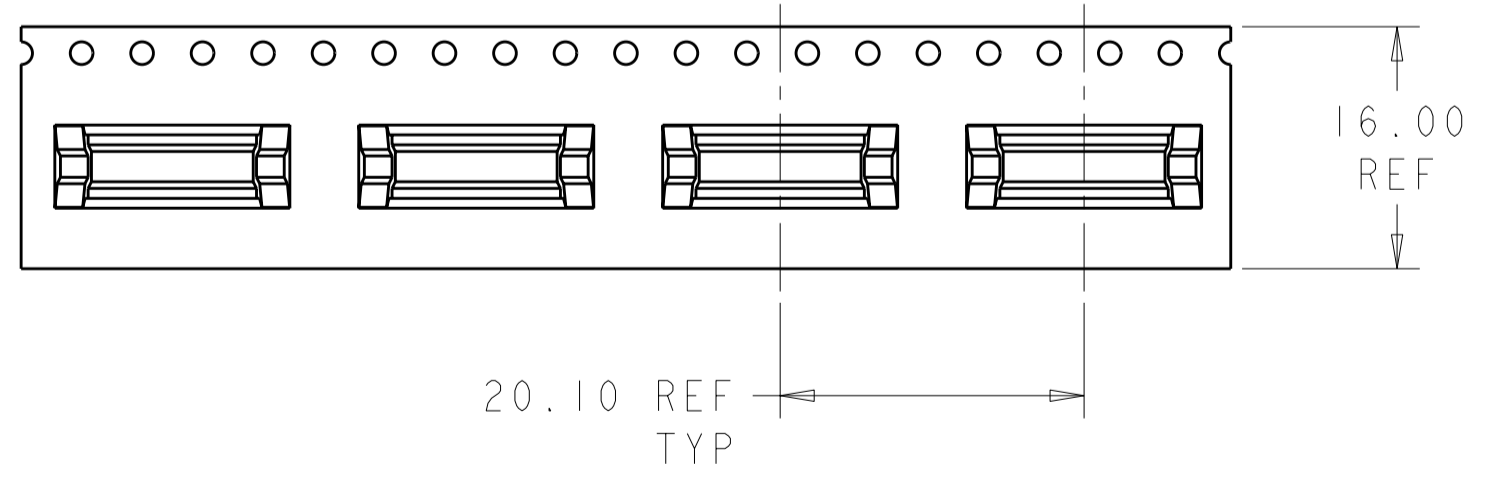
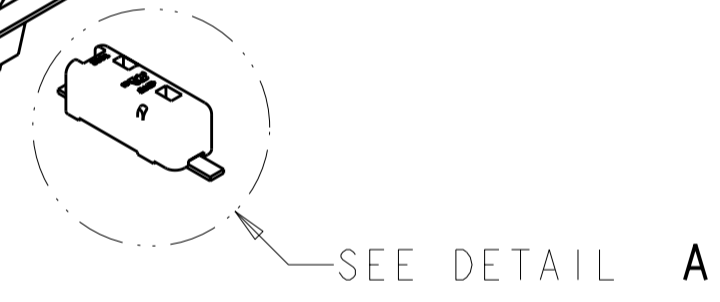
| LOC | DIST | REVISIONS | | | | |
|-----|------|-------------|------|-----|------|--|
| P | LTR | DESCRIPTION | DATE | DWN | APVD | |
| - | - | SEE SHEET 1 | - | - | - | |
| | | | | | | |
| | | | | | | |



TAPE AND REEL PACKAGING DIAGRAM
 SCALE 2:1



DETAIL A
 SCALE 8:1



| | | | | |
|---|--|---|-------------------------|--------------------------------------|
| THIS DRAWING IS A CONTROLLED DOCUMENT. | | DWN 17OCT2007 GURURAJ S | TE Connectivity | |
| DIMENSIONS: mm | | CHK - APVD - PRODUCT SPEC - APPLICATION SPEC - WEIGHT - | | |
| TOLERANCES UNLESS OTHERWISE SPECIFIED: 0 PLC ±- 1 PLC ±0.5 2 PLC ±0.10 3 PLC ±- 4 PLC ±- ANGLES ±3° FINISH | | SIZE A200779 | DRAWING NO C-2008563 | RESTRICTED TO - |
| MATERIAL SEE TABLE | | CUSTOMER DRAWING | | SCALE 10:1 SHEET 2 OF 2 REV A3 |

X-ON Electronics

Largest Supplier of Electrical and Electronic Components

Click to view similar products for [Lighting Connectors](#) category:

Click to view products by [TE Connectivity](#) manufacturer:

Other Similar products are found below :

[293300-7](#) [293660-5](#) [CNX_H03_NTP](#) [30-9767-BU](#) [3605](#) [3-21030-1](#) [ZCH-110-RGB-I](#) [503471-0290](#) [ZCH-110-RGB-J](#) [217-0716-200](#)
[1954563-1](#) [1-293657-2](#) [2834036-1](#) [2834037-1](#) [1-2213222-4](#) [2-2213222-4](#) [2213222-4](#) [2834122-3](#) [2834122-5](#) [2834135-2](#) [FLA-R4142-30](#)
[FLA-R4162-30](#) [FLA-R2142-30](#) [FLA-R2141-30](#) [FLA-R2162-30](#) [FLA-R2161-30](#) [FLA-R0161-30](#) [FLA-R0141-30](#) [FLA-R0142-30](#) [FLA-](#)
[R0162-30](#) [FLA-C00-00](#) [DGA00010553](#) [CNXV04NTP](#) [104128-0610](#) [503485-0000 \(Cut Strip\)](#) [503485-0000 \(Loose Piece\)](#) [503485-0000](#)
[\(MINI Reel\)](#) [1-2834074-2](#) [1-2834074-3](#) [1357-AC PLUG W2C \(CHINA\)](#) [1357-AC PLUG W2 \(USA\)](#) [104266-0110](#) [CNXV02NTP](#) [2106212-1](#)
[2-2834074-2](#) [104266-0210](#) [293470-1](#) [293651-2](#) [293651-4](#) [1-2834006-2](#)