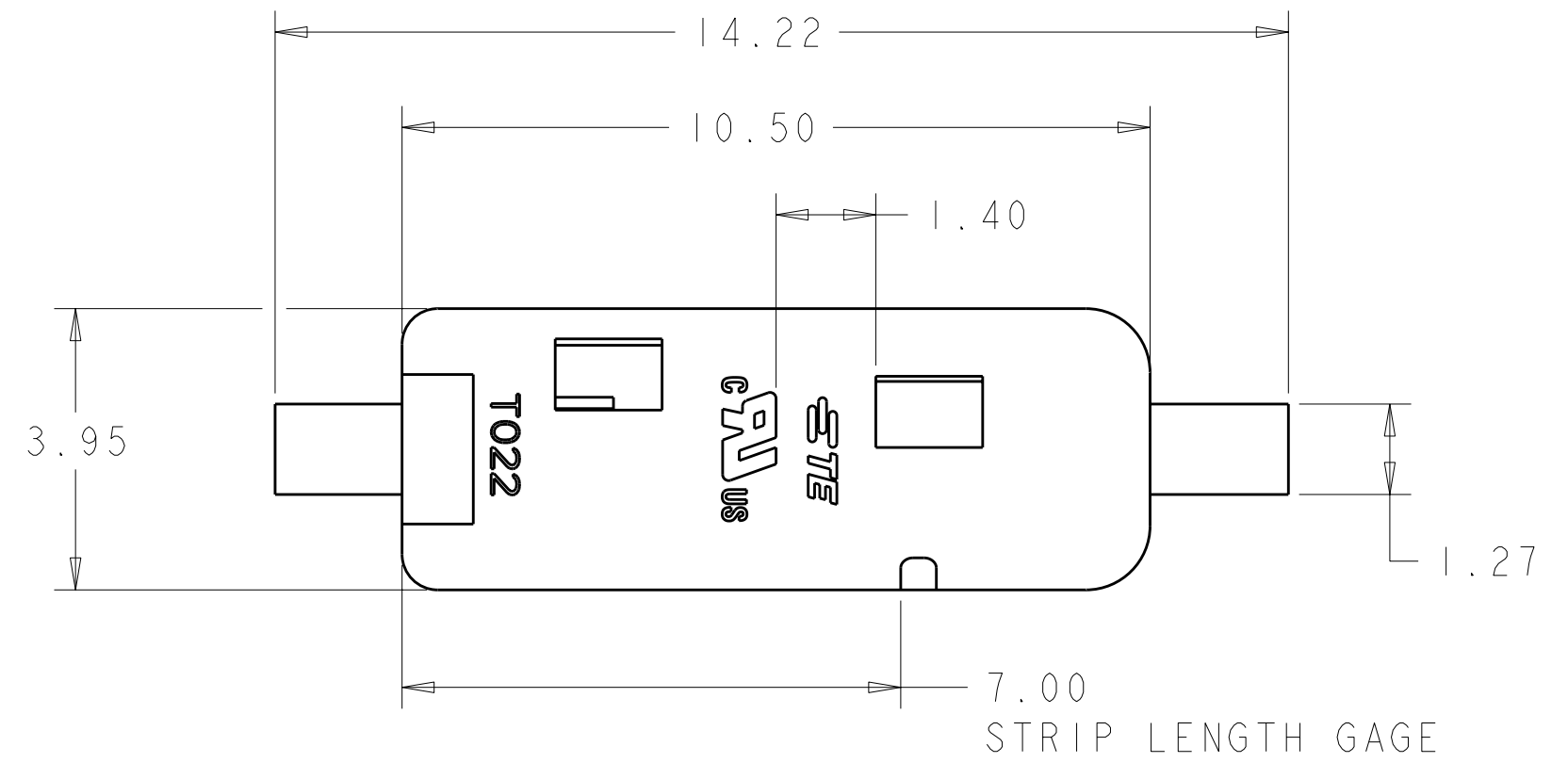
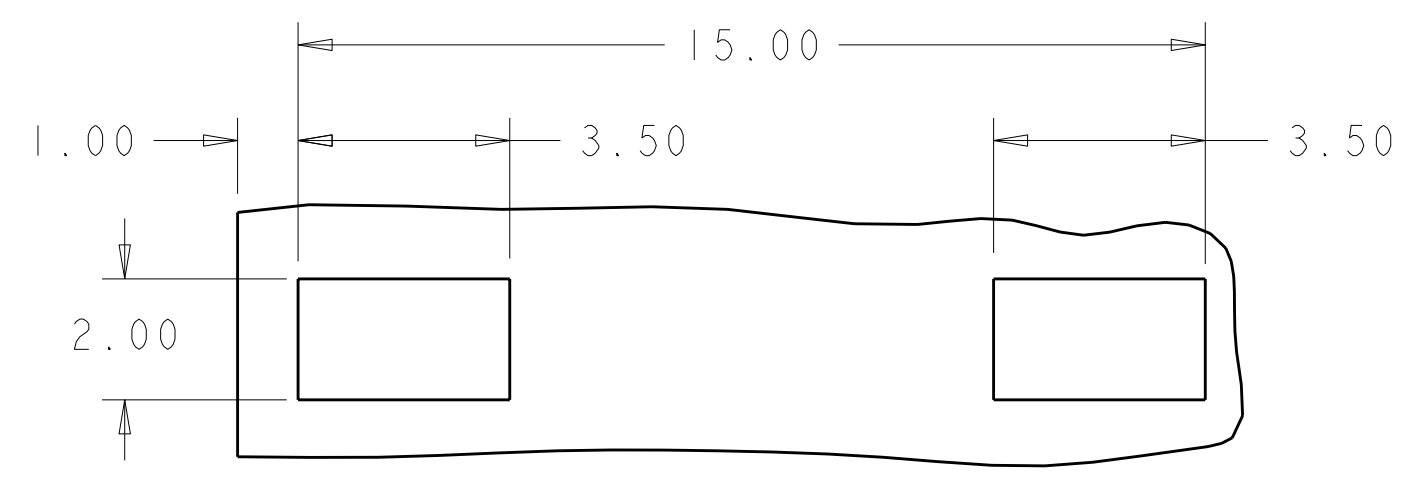
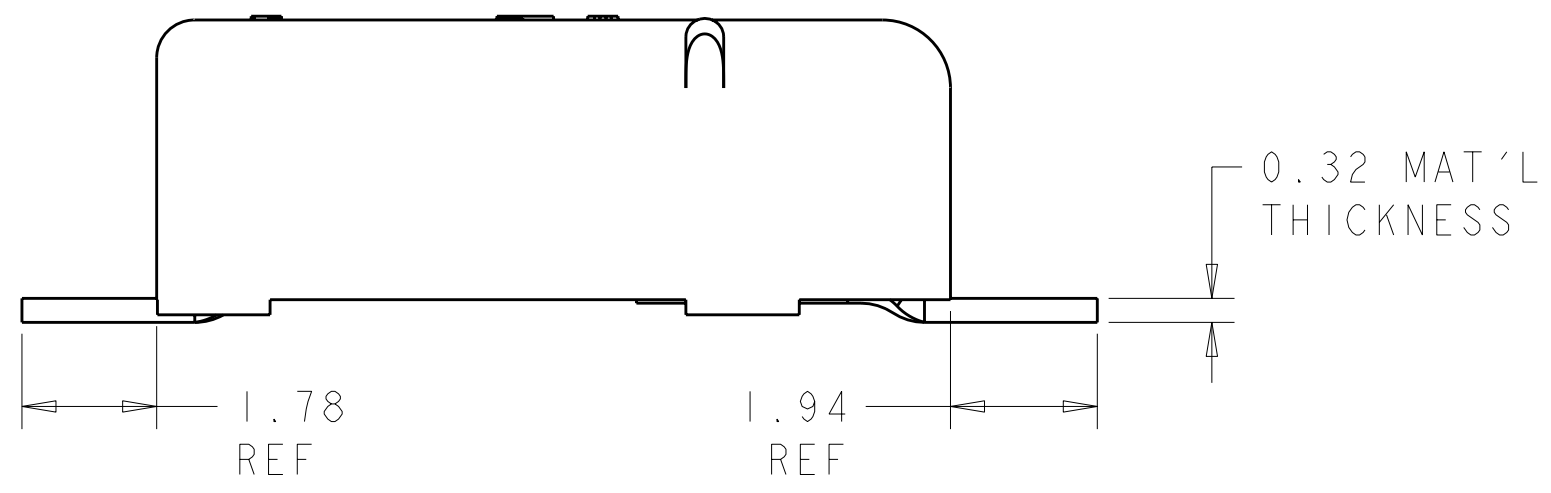
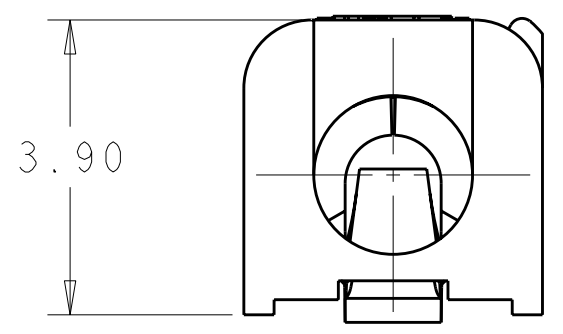


THIS DRAWING IS UNPUBLISHED. RELEASED FOR PUBLICATION 20  
 © COPYRIGHT 20 ALL RIGHTS RESERVED.

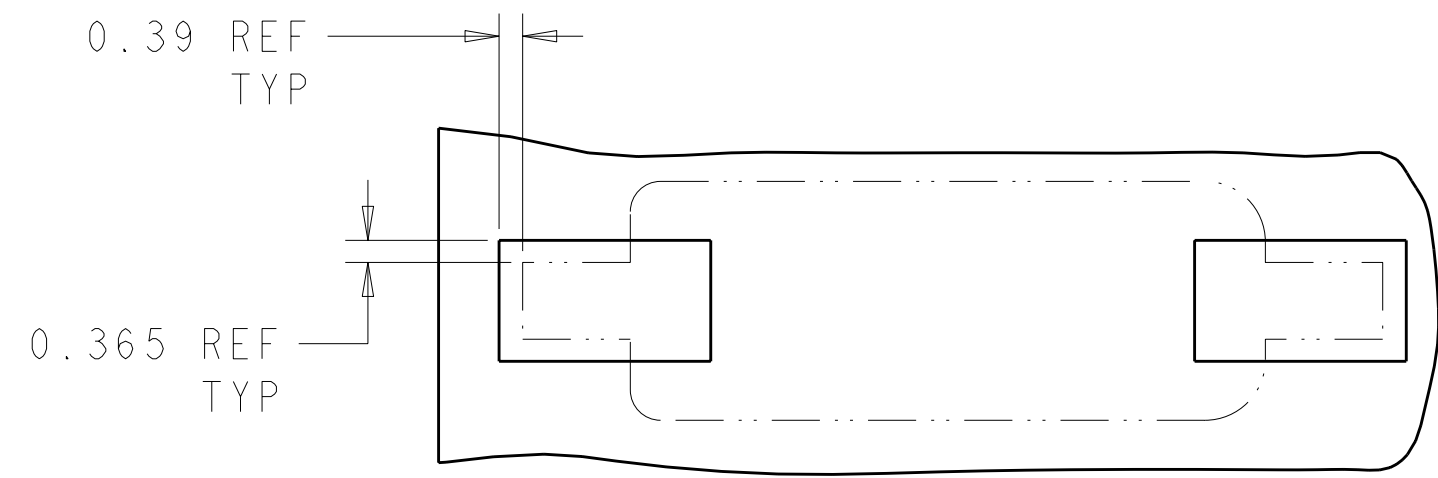
REVISIONS					
P	LTR	DESCRIPTION	DATE	DWN	APVD
A2		REVISED PER ECR-09-006358	19MAR2009	HMR	DD
A3		REVISED PER ECR-11-011090	03JUN2011	SK	DD



- 1. MATERIALS AND FINISH:  
 - HOUSING: LCP, COLOR: WHITE  
 - CONTACTS: COPPER ALLOY, FINISH: TIN
- 2. MUST COMPLY WITH DIRECTIVE 2002/95/EC (ROHS)
- 3. WIRE TYPES AND SIZES ACCEPTED  
 18, 20 AND 22 AWG SOLID WIRE  
 18 AND 20 AWG PREBOND STRANDED WIRE  
 18 AWG STRANDED WIRE (16 STRAND COUNT)  
 MAX INSULATION OD: 2.10 MM (.083")  
 STRIP LENGTH: 7.0±1.0 (.276")
- 4. PACKAGED IN TAPE AND REEL.



RECOMMENDED PCB LAYOUT  
SCALE 8:1



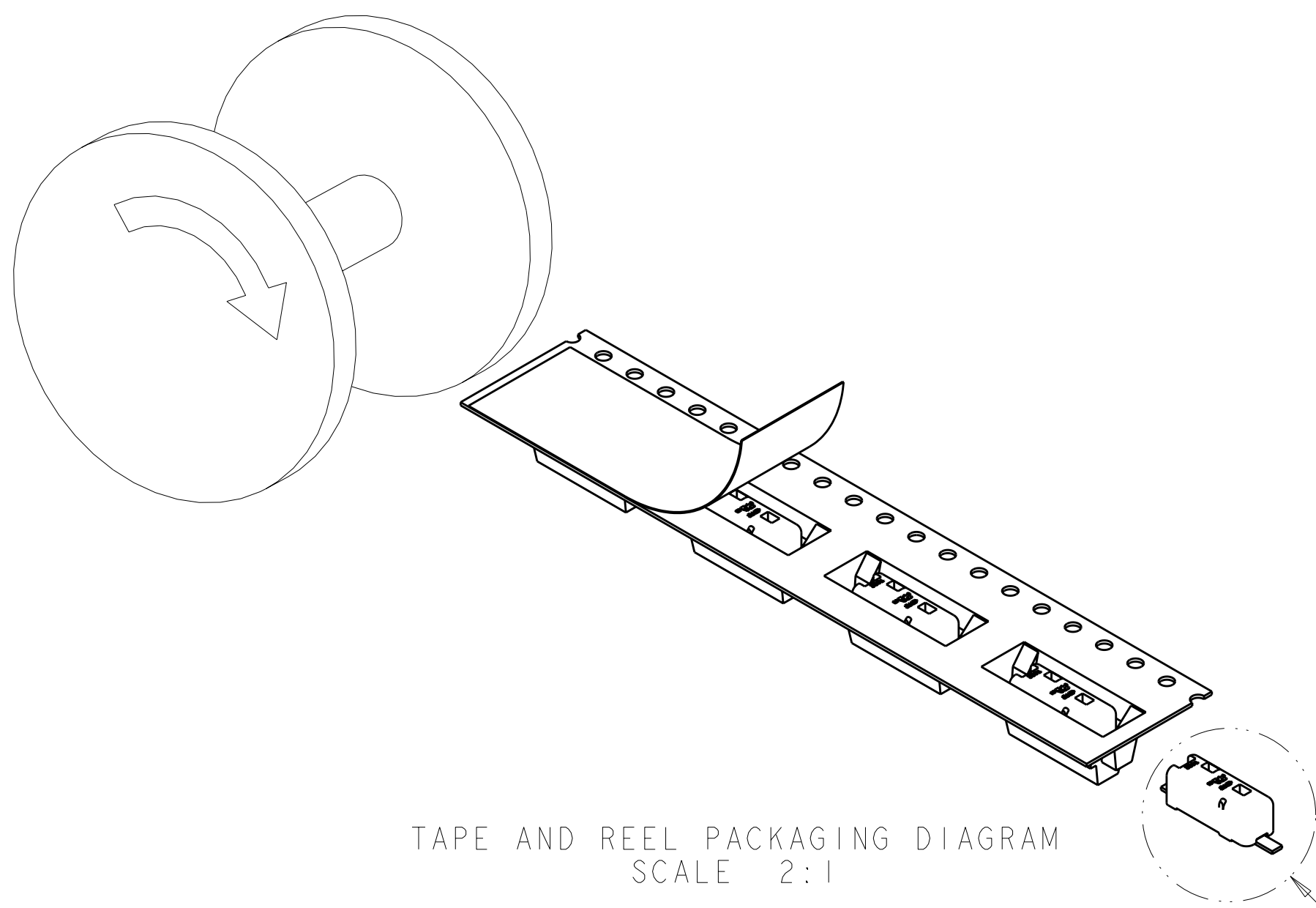
RECOMMENDED CONNECTOR PLACEMENT  
SCALE 8:1

5	BLACK	2008563-2
1	WHITE	2008563-1
MATERIAL	COLOR	PART NUMBER

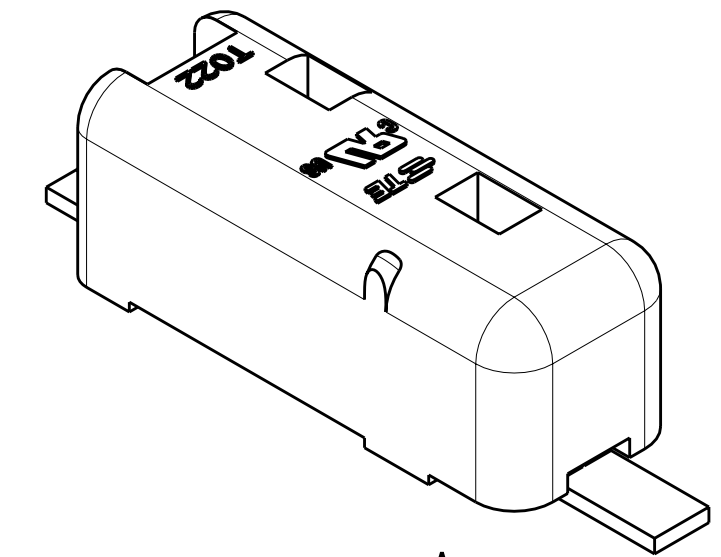
THIS DRAWING IS A CONTROLLED DOCUMENT.		DWN: GURURAJ S 17OCT2007	TE Connectivity	
DIMENSIONS: mm		CHK: -	NAME: POKE-IN CONNECTOR ASSEMBLY, 1 POSITION SMT	
TOLERANCES UNLESS OTHERWISE SPECIFIED:		APVD: -	PRODUCT SPEC: -	
0 PLC ±		APVD: -	APPLICATION SPEC: -	
1 PLC ±0.5		WEIGHT: -	SIZE: A2	CAGE CODE: 00779
2 PLC ±0.10		CUSTOMER DRAWING	DRAWING NO: 2008563	RESTRICTED TO: -
3 PLC ±		SCALE: 10:1	SHEET: 1	OF: 2
4 PLC ±			REV: A3	
ANGLES ±3°				
FINISH				
SEE TABLE	SEE TABLE			

THIS DRAWING IS UNPUBLISHED.      RELEASED FOR PUBLICATION      20  
 © COPYRIGHT 20      ALL RIGHTS RESERVED.

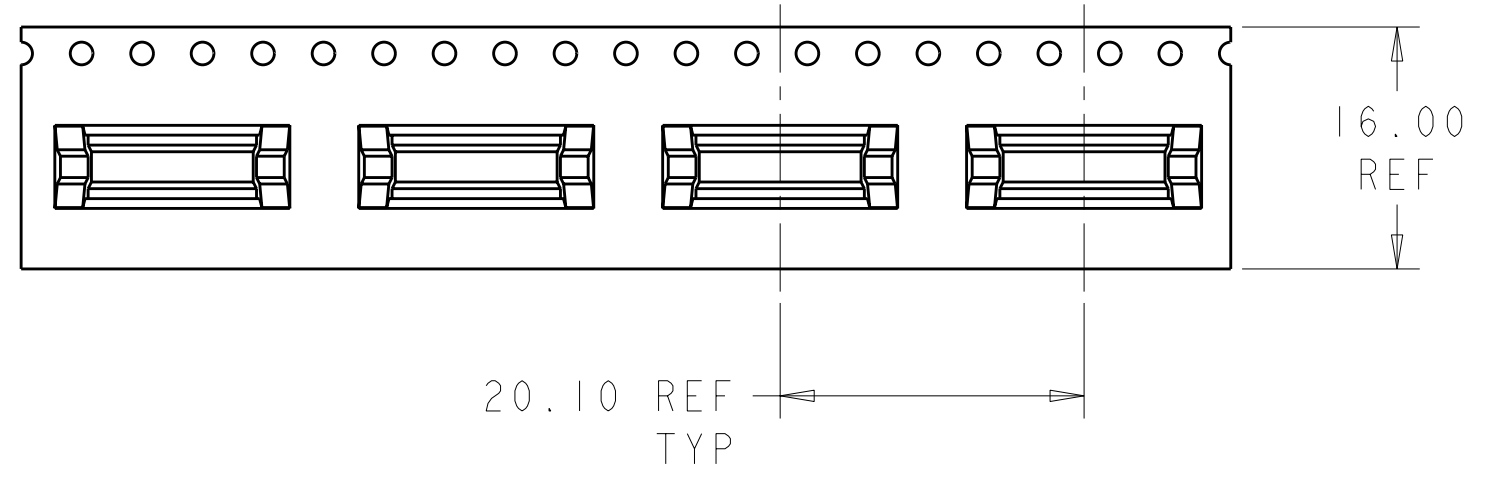
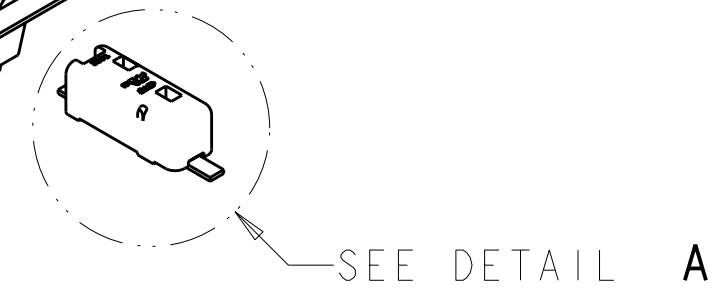
LOC		DIST		REVISIONS			
P	LTR	DESCRIPTION	DATE	DWN	APVD		
-	-	SEE SHEET 1	-	-	-		



TAPE AND REEL PACKAGING DIAGRAM  
 SCALE 2:1



DETAIL A  
 SCALE 8:1



THIS DRAWING IS A CONTROLLED DOCUMENT.		DWN 17OCT2007	<b>STE</b> TE Connectivity	
DIMENSIONS: mm		CHK -		
TOLERANCES UNLESS OTHERWISE SPECIFIED:		APVD -	NAME POKE-IN CONNECTOR ASSEMBLY, 1 POSITION SMT	
0 PLC ±-		PRODUCT SPEC -	SIZE CAGE CODE DRAWING NO RESTRICTED TO	
1 PLC ±0.5		APPLICATION SPEC -	A200779C-2008563 -	
2 PLC ±0.10		WEIGHT -	SCALE 10:1 SHEET 2 OF 2 REV A3	
3 PLC ±-		CUSTOMER DRAWING		
4 PLC ±-				
ANGLES ±3°				
FINISH				
SEE TABLE		SEE TABLE		

## X-ON Electronics

Largest Supplier of Electrical and Electronic Components

*Click to view similar products for [Lighting Connectors](#) category:*

*Click to view products by [TE Connectivity](#) manufacturer:*

Other Similar products are found below :

[293300-7](#) [293660-5](#) [CNX\\_H03\\_NTP](#) [30-9767-BU](#) [3605](#) [3-21030-1](#) [ZCH-110-RGB-I](#) [503471-0290](#) [ZCH-110-RGB-J](#) [217-0716-200](#)  
[1954563-1](#) [1-293657-2](#) [2834036-1](#) [2834037-1](#) [1-2213222-4](#) [2-2213222-4](#) [2213222-4](#) [2834122-3](#) [2834122-5](#) [2834135-2](#) [FLA-R4142-30](#)  
[FLA-R4162-30](#) [FLA-R2142-30](#) [FLA-R2141-30](#) [FLA-R2162-30](#) [FLA-R2161-30](#) [FLA-R0161-30](#) [FLA-R0141-30](#) [FLA-R0142-30](#) [FLA-](#)  
[R0162-30](#) [FLA-C00-00](#) [DGA00010553](#) [CNXV04NTP](#) [104128-0610](#) [503485-0000 \(Cut Strip\)](#) [503485-0000 \(Loose Piece\)](#) [503485-0000](#)  
[\(MINI Reel\)](#) [1-2834074-2](#) [1-2834074-3](#) [1357-AC PLUG W2C \(CHINA\)](#) [1357-AC PLUG W2 \(USA\)](#) [104266-0110](#) [2106212-1](#) [2-2834074-2](#)  
[104266-0210](#) [293470-1](#) [293651-2](#) [293651-4](#) [1-2834006-2](#) [293651-1](#)