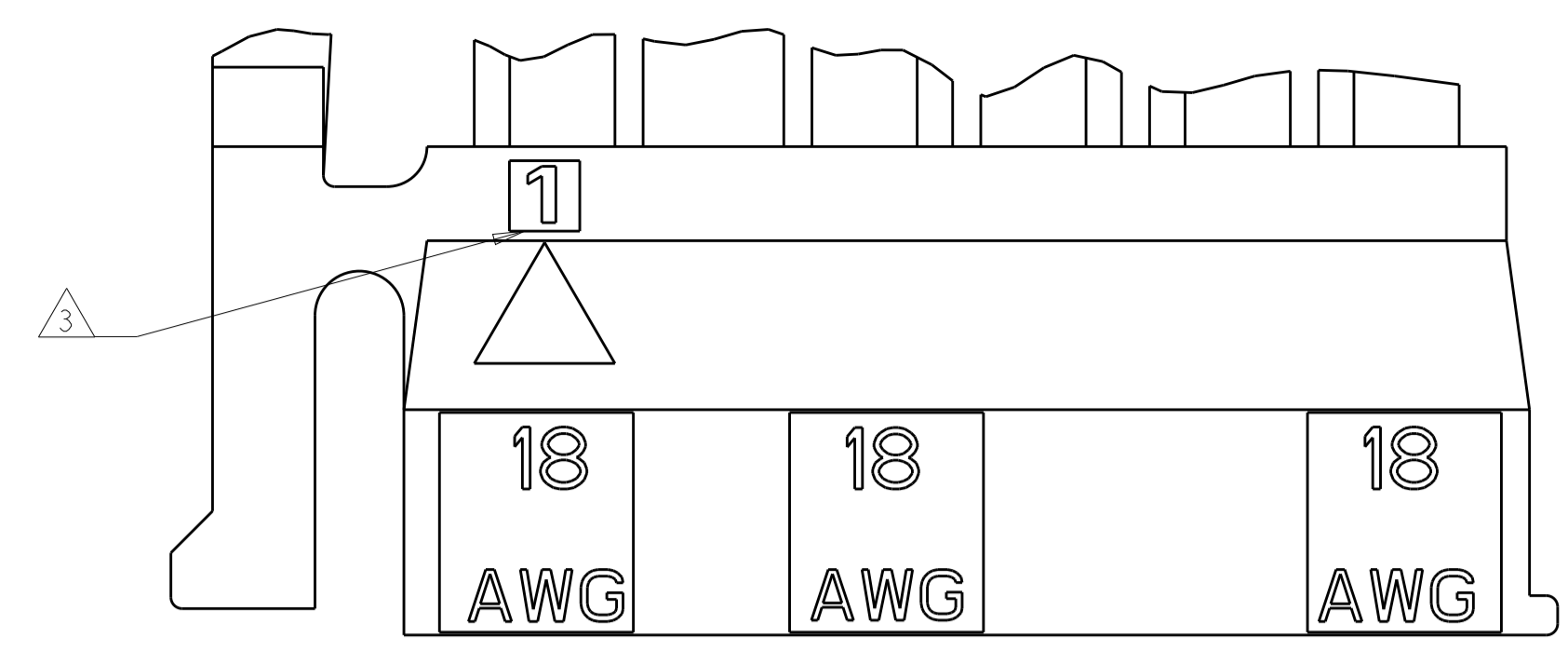
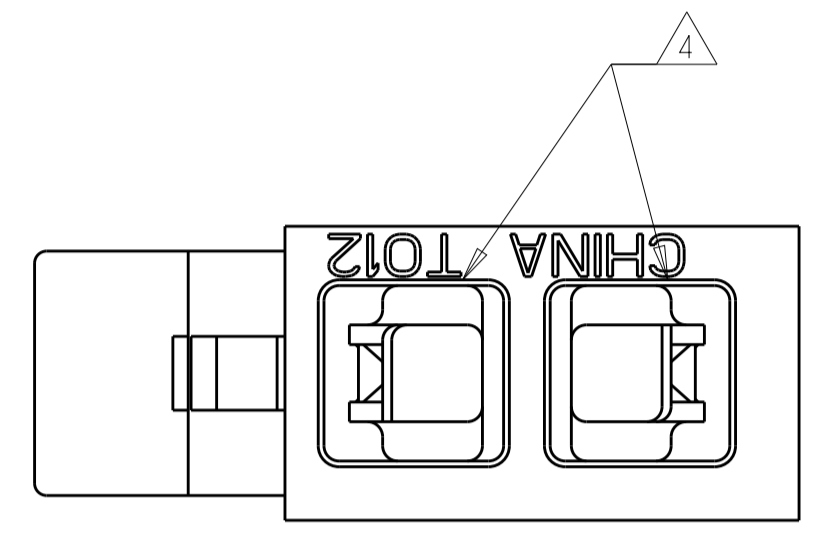


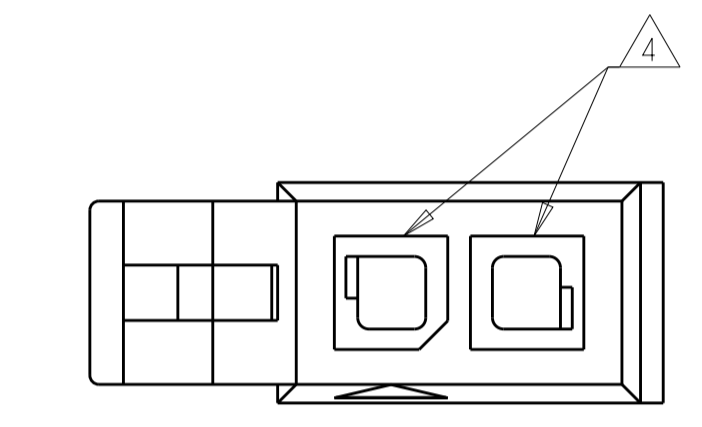
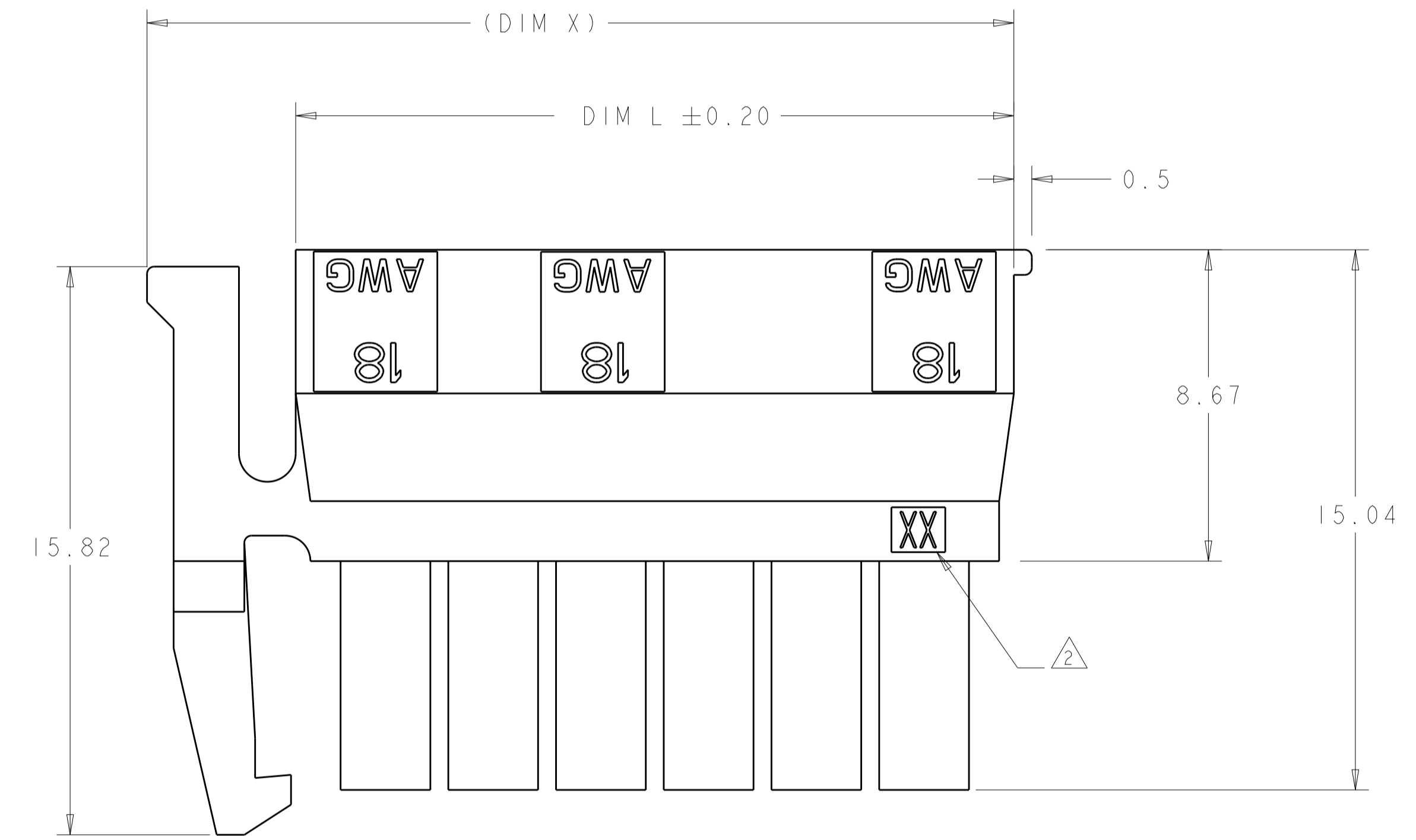
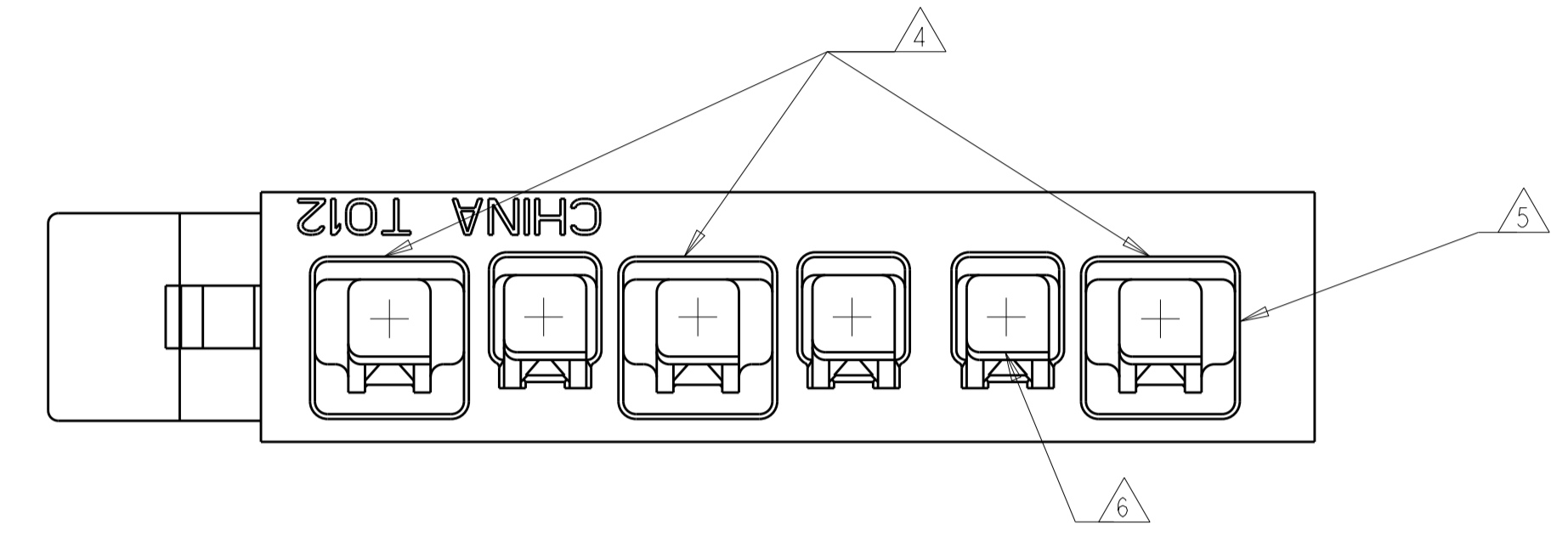
LOC		DIST		REVISIONS			
CM	0	P.	LTN	DESCRIPTION	DATE	DWN	APVD
		B2		REVISED PER ECR 12-001158	19JAN12	JR	TM
		B3		ECO-19-004882	12APR19	AP	WS



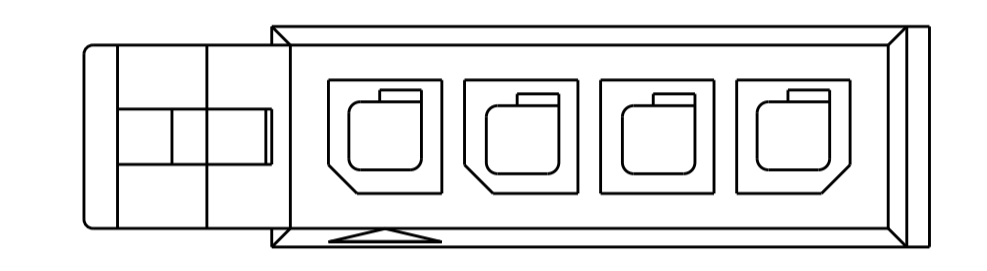
- △1 MATERIAL: NYLON, UL94V-0 COLOR- (SEE TABLE).
- △2 LAST CIRCUIT IDENTIFIER LOCATED IN APPROX AREA SHOWN.
- △3 CIRCUIT 1 ID LOCATED IN APPROX AREA SHOWN.
- △4 THE TWO END CAVITIES ARE ENLARGED TO ALLOW INSERTION OF 18 AWG RECEPTACLE CONTACT. FOR 2 CIRCUIT HOUSINGS THESE CAVITIES WILL BE ROTATED 90° FROM SHOWN POSITION AND 180° WITH RESPECT TO EACH OTHER. FOR 5 AND 6 CIRCUIT HOUSINGS CIRCUIT 3 IS ALSO ENLARGED TO ALLOW INSERTION OF 18 AWG RECEPTACLE CONTACT.
- △5 FOR WIRE INSULATION 2.80 MAX OD.
- △6 FOR WIRE INSULATION 1.90 MAX OD.



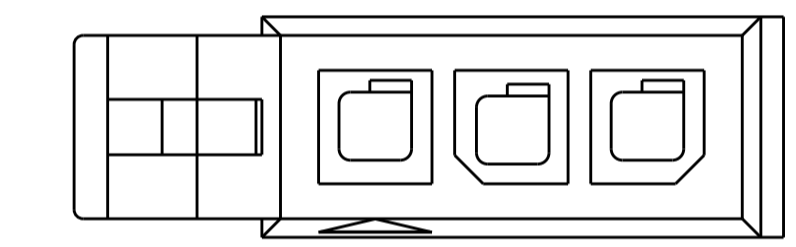
2 CIRCUIT WIRE END VIEW



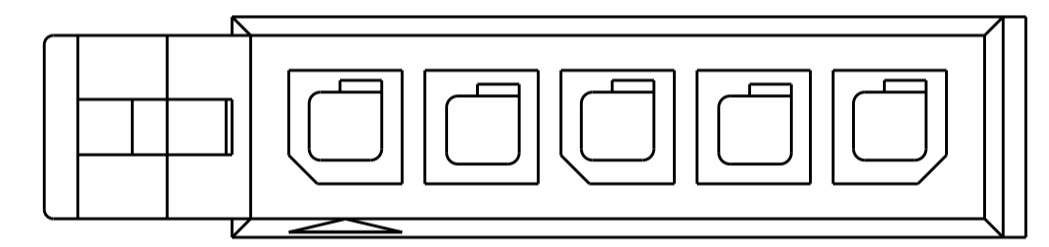
2 CIRCUIT



4 CIRCUIT

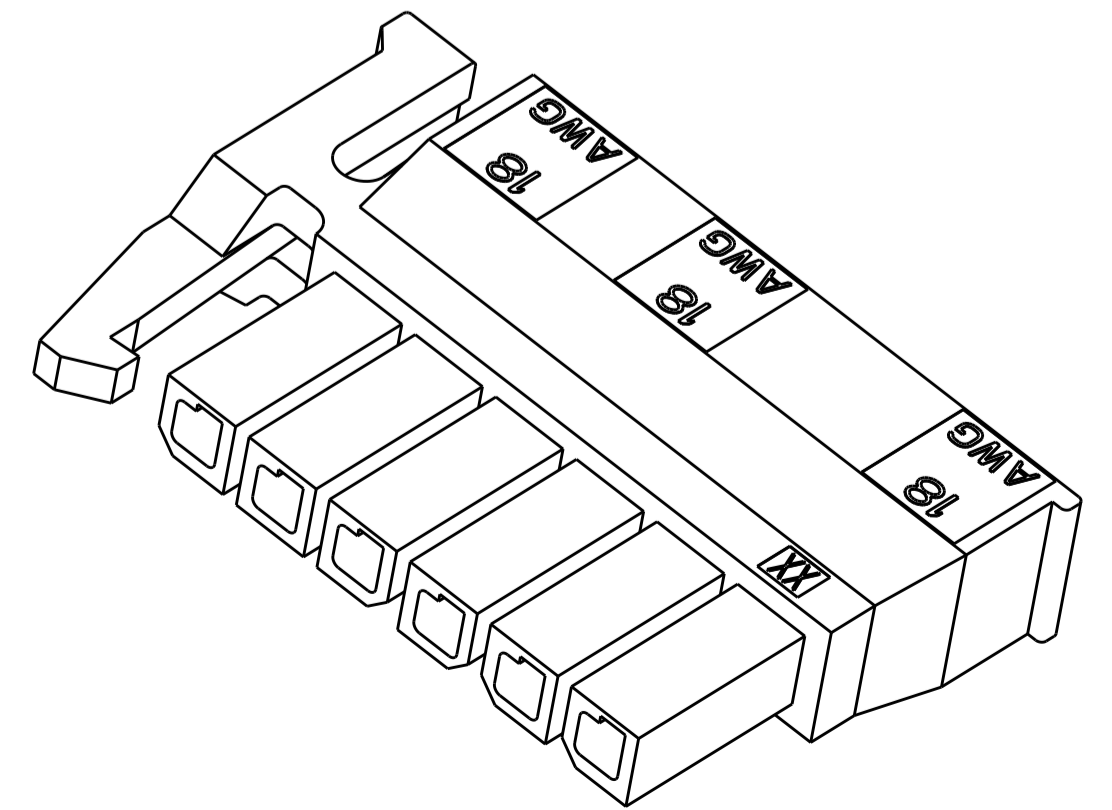
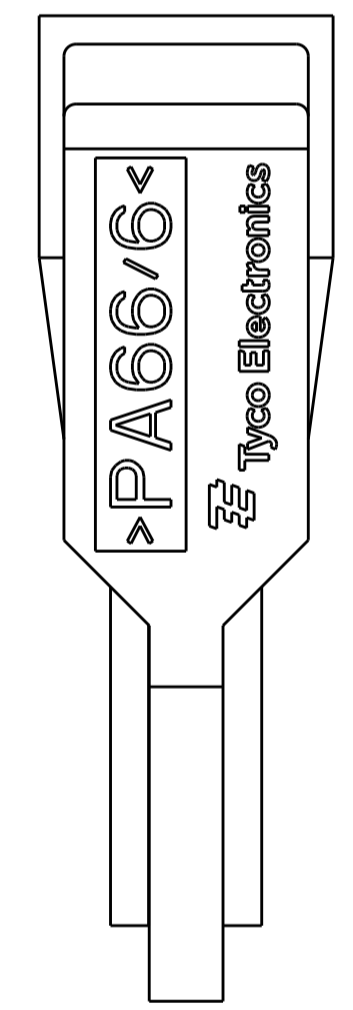


3 CIRCUIT

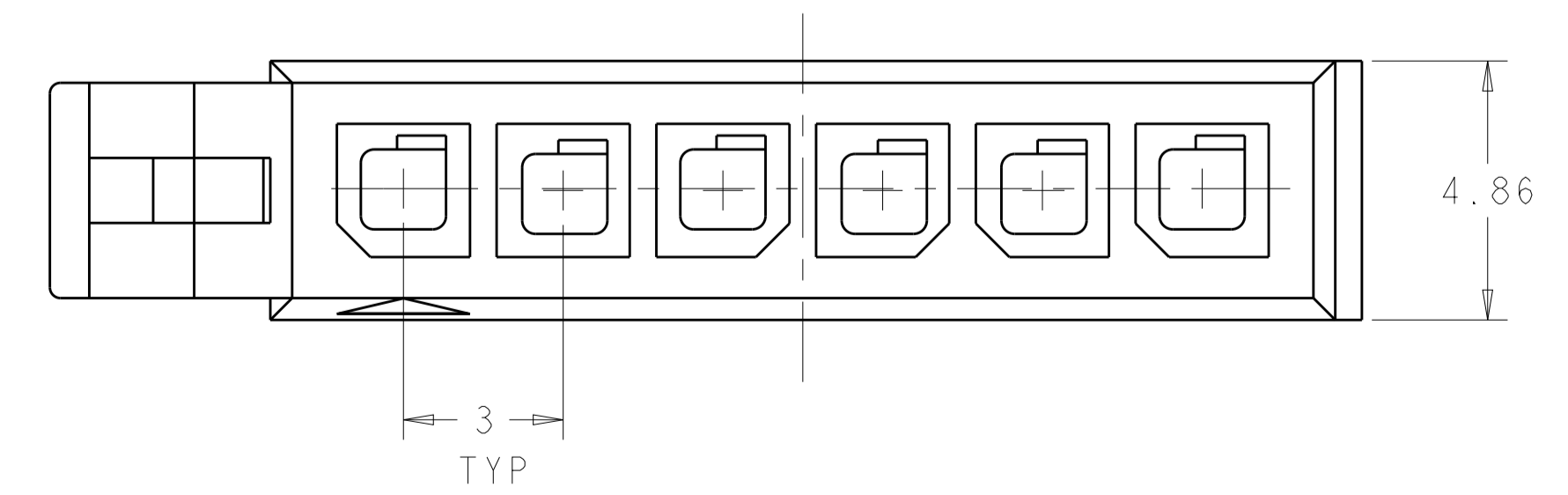


5 CIRCUIT

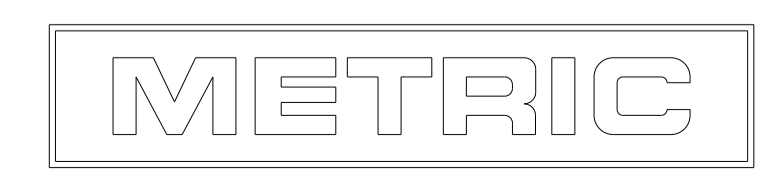
KEYING CONFIGURATIONS  
SCALE 6:1



SCALE 5:1



VOLUME mm <sup>3</sup>	DIM X	DIM L	NO. OF POS.	COLOR	PART NUMBER
688.4	24.14	20.00	6	NATURAL	I-2008570-6
596.54	21.14	17.00	5	NATURAL	I-2008570-5
502.15	18.14	14.00	4	NATURAL	I-2008570-4
433.37	15.14	11.00	3	NATURAL	I-2008570-3
315.18	12.14	8.00	2	NATURAL	I-2008570-2
688.4	24.14	20.00	6	BLACK	2008570-6
596.54	21.14	17.00	5	BLACK	2008570-5
502.15	18.14	14.00	4	BLACK	2008570-4
433.37	15.14	11.00	3	BLACK	2008570-3
315.18	12.14	8.00	2	BLACK	2008570-2



DIMENSIONS: mm 0 PLC ±0.5 1 PLC ±0.13 3 PLC ±0.013 4 PLC ±0.013 ANGLES ±°		TOLERANCES UNLESS OTHERWISE SPECIFIED: DIMENSIONS: mm 0 PLC ±0.5 1 PLC ±0.13 3 PLC ±0.013 4 PLC ±0.013 ANGLES ±°		DWN R. BROWN 18MAR2008 CHK M. McCARTHY 18MAR2008 APVD M. McCARTHY 18MAR2008 PRODUCT SPEC 108-1836 APPLICATION SPEC 114-13000 WEIGHT CUSTOMER DRAWING		Tyco Electronics Harrisburg, PA 17105-3608 NAME RECEPTACLE HOUSING, 2 TO 6 POSN, SINGLE ROW, MICRO MATE-N-LOK(TM), SIDE LATCH, 18 AWG SIZE CAGE CODE DRAWING NO A100779C=2008570 RESTRICTED TO	
SCALE 8:1 SHEET 1 OF 1 REV B3				Tyco Electronics logo		Tyco Electronics Harrisburg, PA 17105-3608	

## X-ON Electronics

Largest Supplier of Electrical and Electronic Components

*Click to view similar products for [Pin & Socket Connectors](#) category:*

*Click to view products by [TE Connectivity](#) manufacturer:*

Other Similar products are found below :

[6450822-1](#) [770392-1](#) [794042-1](#) [796885-1](#) [8-794535-1](#) [PLR3455ACS-222](#) [R929991004](#) [R929993003](#) [1403611-1](#) [1-480349-5](#) [152302-5](#)  
[153211-2](#) [1586092-1](#) [1586129-1](#) [1586681-4](#) [1586700-1](#) [1586368-1](#) [1586380-1](#) [1586616-1](#) [1586680-5](#) [16-06-0038](#) [164164-5](#) [1-6609930-1](#)  
[172296-1](#) [19-09-2035](#) [200503-1](#) [200788-2](#) [2029090-4](#) [2029095-4](#) [925061-7](#) [293734-4](#) [293737-2](#) [1-765362-4](#) [1871534-1](#) [200833-4](#)  
[2008625-2](#) [2029027-2](#) [2029096-4](#) [R929991000](#) [R929991002](#) [R929993000](#) [319-10-101-00-005000](#) [319-10-102-00-001000](#) [319-10-104-00-001000](#) [319-10-105-00-001000](#) [319-10-108-00-001000](#) [319-10-112-00-006000](#) [39-01-8019](#) [319-10-101-00-001000](#) [319-10-102-00-005000](#)