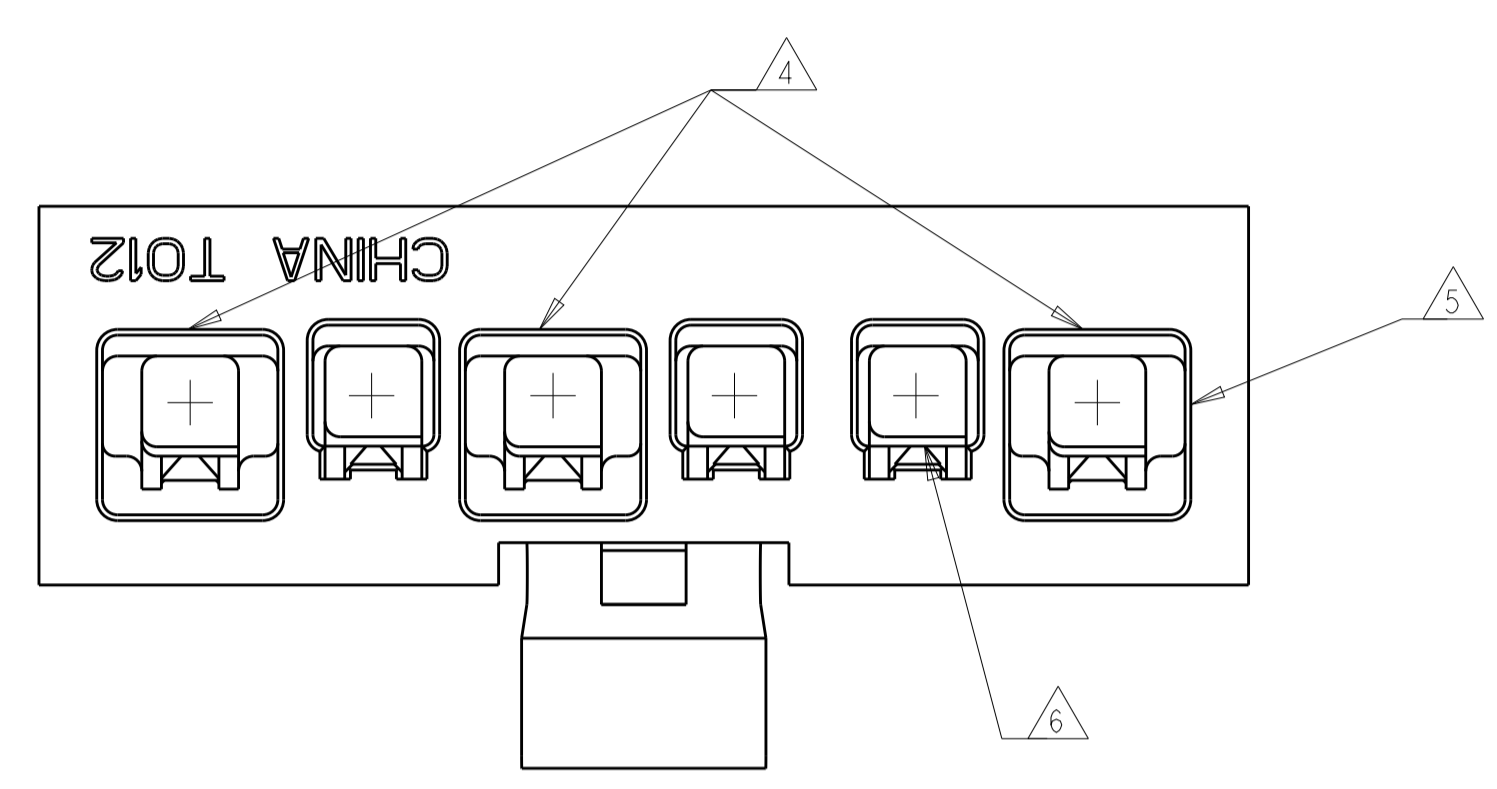
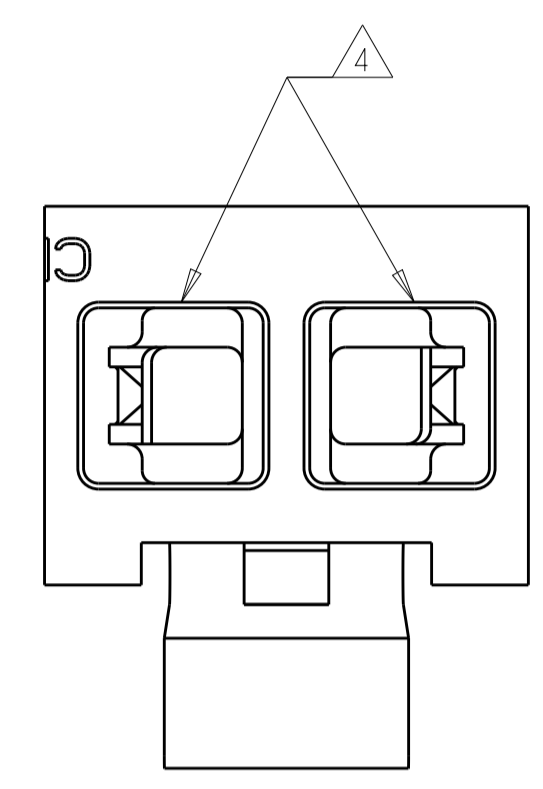
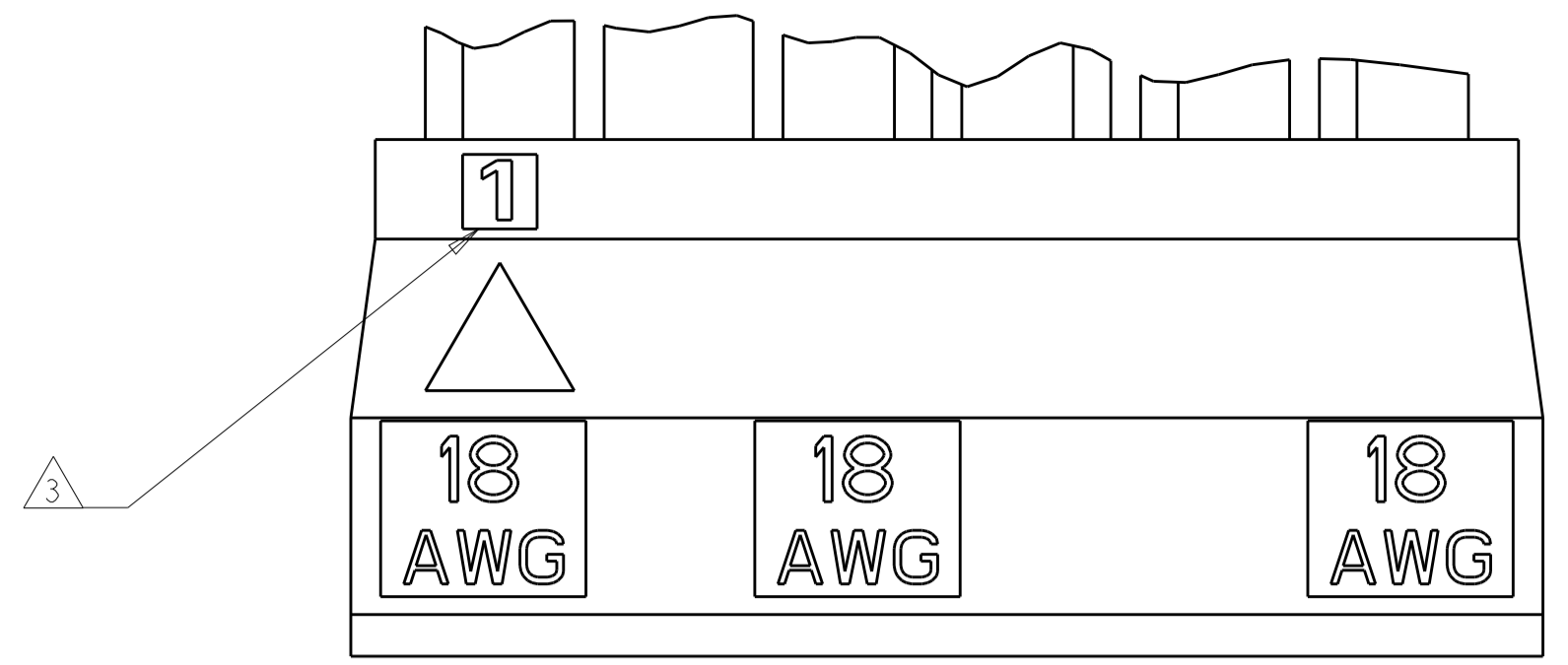
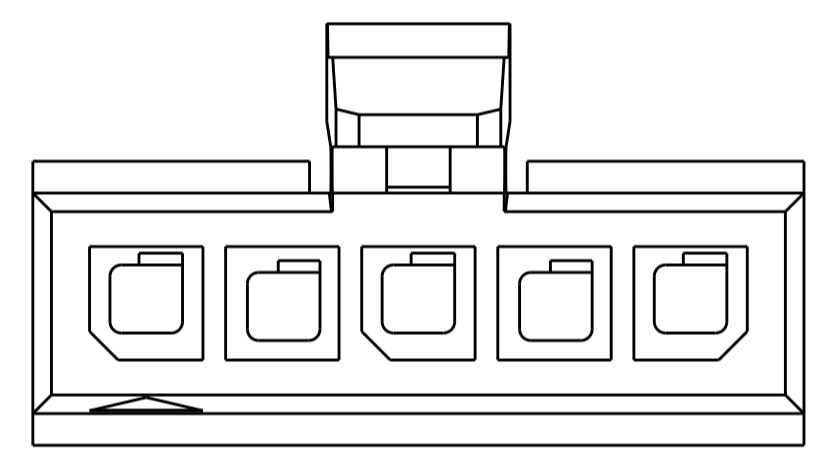
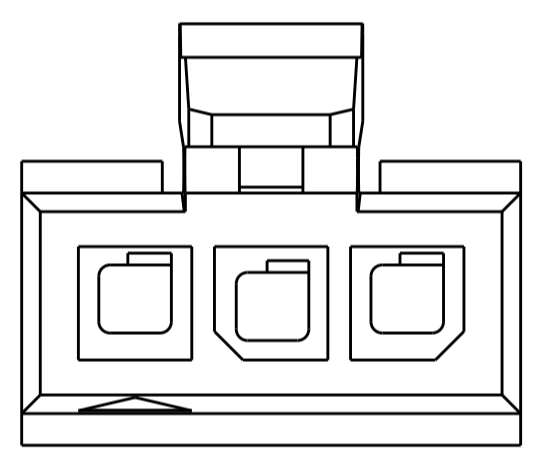
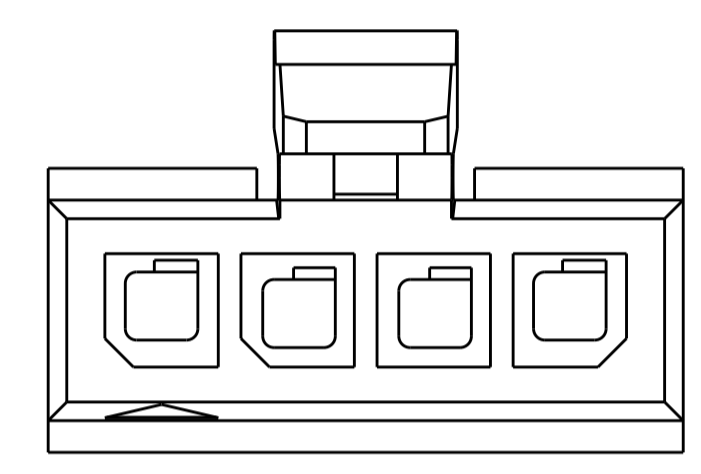
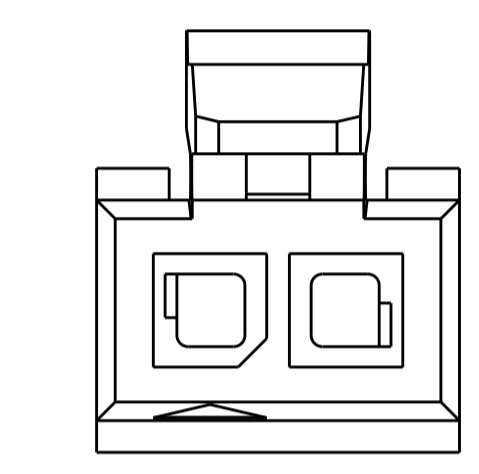
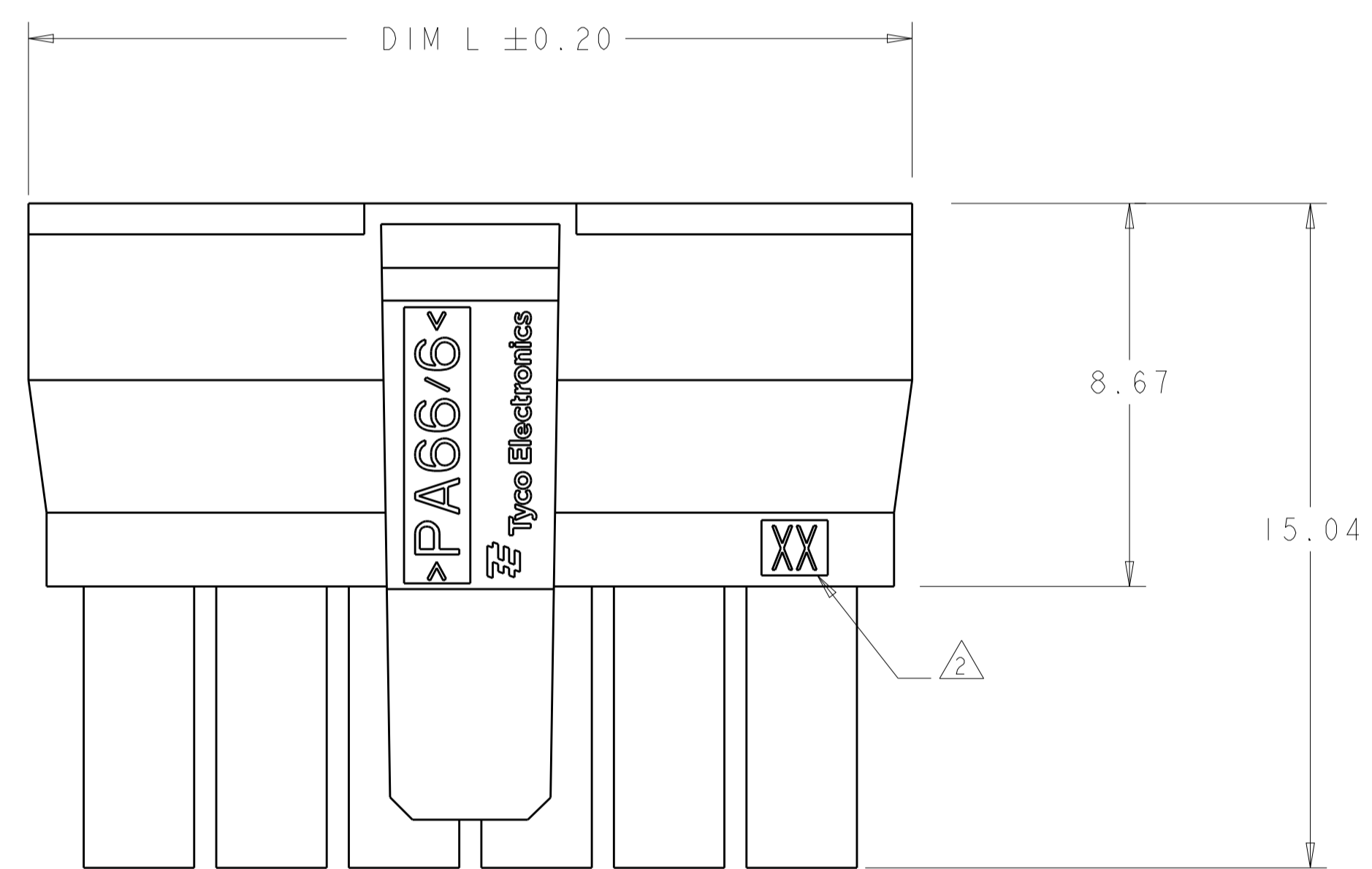
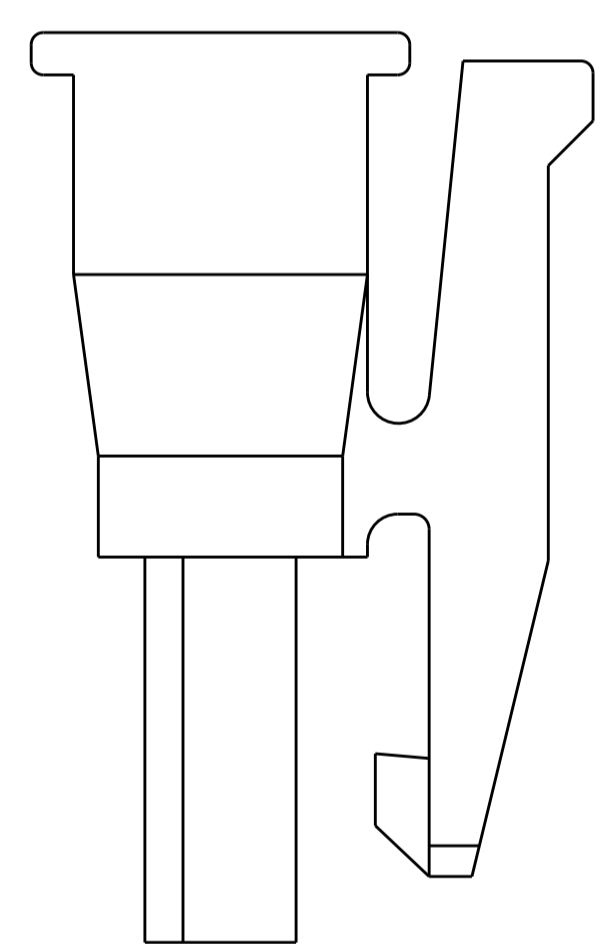


LOC		DIST		REVISIONS			
CM	0	P.	LTM	DESCRIPTION	DATE	DWN	APVD
		B2		REVISED PER ECR 12-001158	19JAN12	JR	TM
		B3		ECO-19-004882	11APR19	AP	WS



- △ MATERIAL: NYLON, UL94V-0, COLOR- (SEE TABLE).
- △ LAST CIRCUIT IDENTIFIER LOCATED IN APPROX AREA SHOWN.
- △ CIRCUIT 1 ID LOCATED IN APPROX AREA SHOWN.
- △ THE TWO END CAVITIES ARE ENLARGED TO ALLOW INSERTION OF 18 AWG RECEPTACLE CONTACT. FOR 2 CIRCUIT HOUSINGS THESE CAVITIES WILL BE ROTATED 90° FROM SHOWN POSITION AND 180° WITH RESPECT TO EACH OTHER. FOR 5 AND 6 CIRCUIT HOUSINGS CIRCUIT 3 IS ALSO ENLARGED TO ALLOW INSERTION OF 18 AWG RECEPTACLE CONTACT.
- △ FOR WIRE INSULATION 2.80 MAX OD
- △ FOR WIRE INSULATION 1.90 MAX OD



2 CIRCUIT

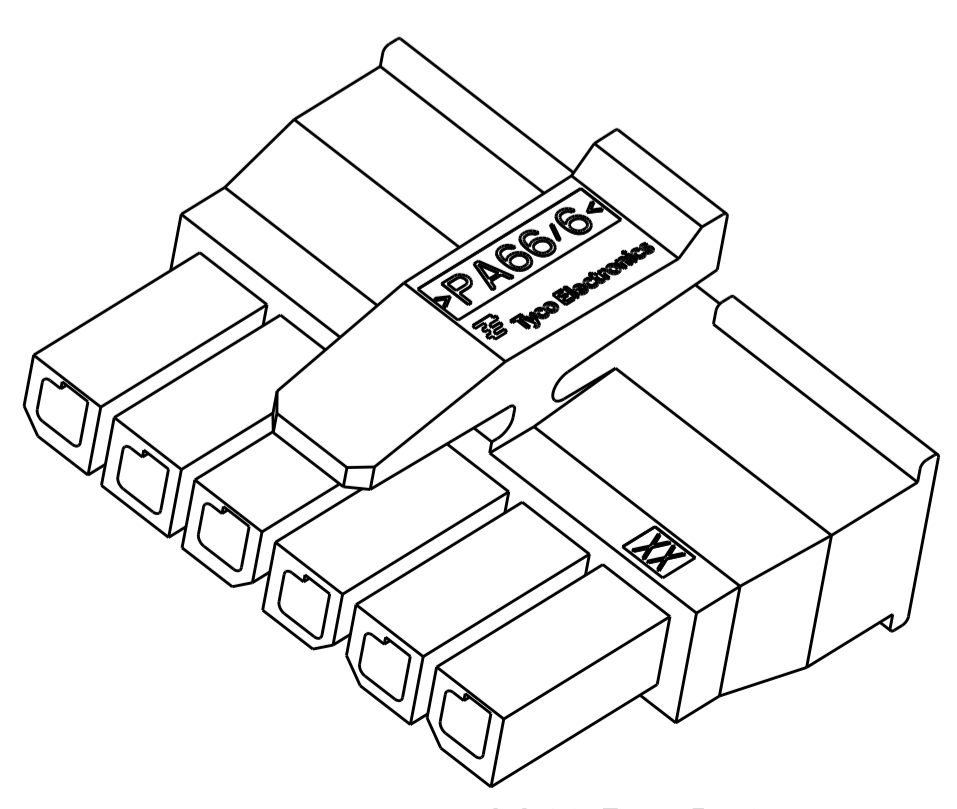
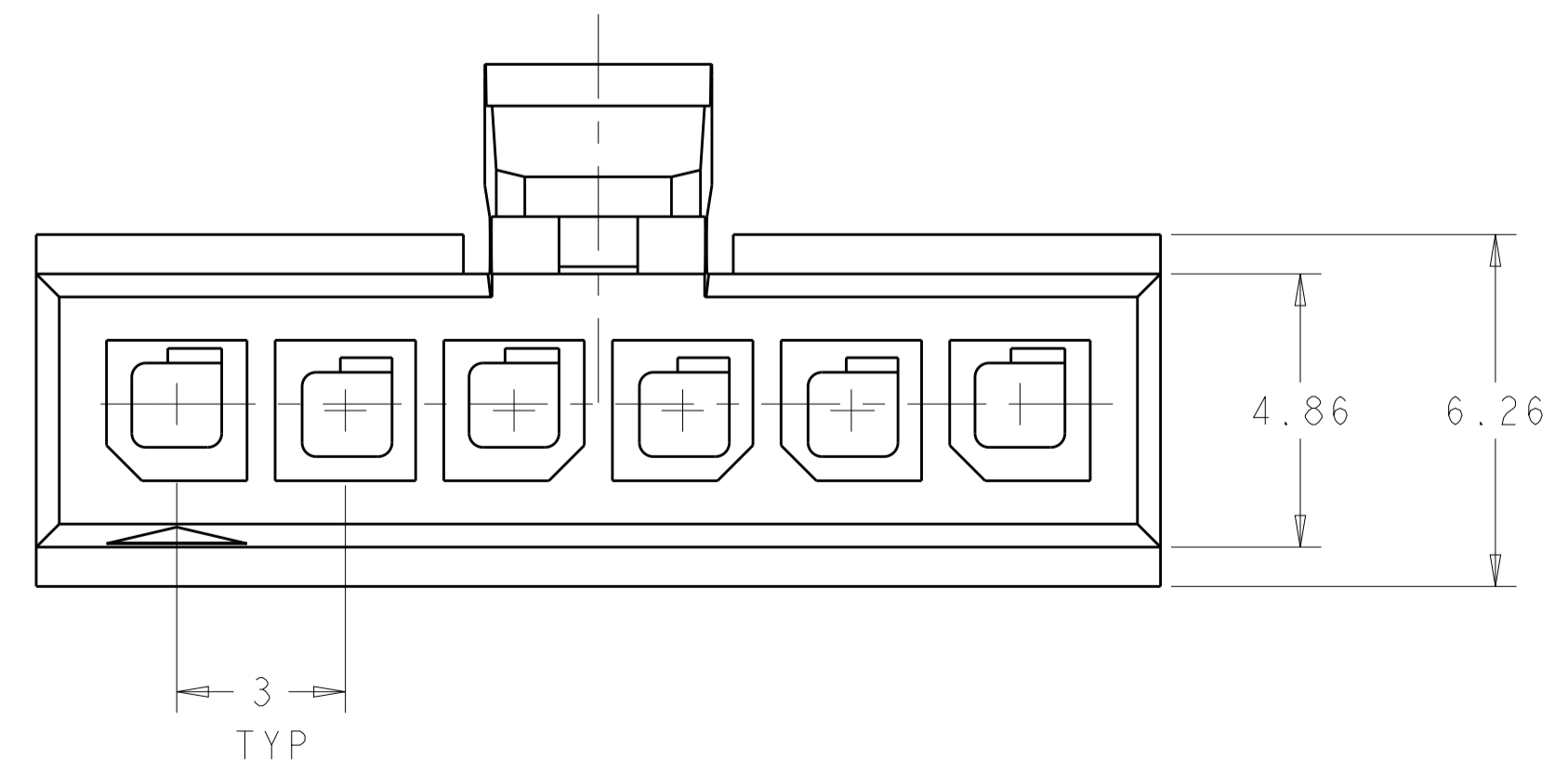
4 CIRCUIT

3 CIRCUIT

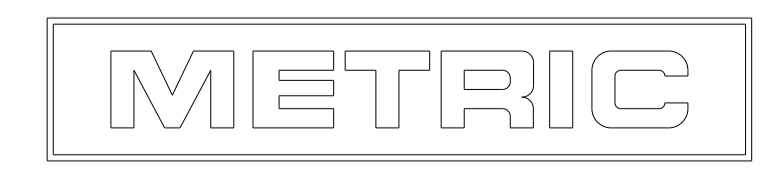
5 CIRCUIT

KEYING CONFIGURATIONS
SCALE 6:1

VOLUME mm ³	DIM L	NO. OF POS.	COLOR	PART NUMBER
868.4	20.00	6	NATURAL	I-2008571-6
665.41	17.00	5	NATURAL	I-2008571-5
557.63	14.00	4	NATURAL	I-2008571-4
451.11	11.00	3	NATURAL	I-2008571-3
344.6	8.00	2	NATURAL	I-2008571-2
868.4	20.00	6	BLACK	2008571-6
665.41	17.00	5	BLACK	2008571-5
557.63	14.00	4	BLACK	2008571-4
451.11	11.00	3	BLACK	2008571-3
344.6	8.00	2	BLACK	2008571-2



SCALE 5:1



DIMENSIONS: mm 0 PLC ±0.5 1 PLC ±0.13 3 PLC ±0.13 4 PLC ±0.13 ANGLES ±°		TOLERANCES UNLESS OTHERWISE SPECIFIED: FINISH:		DWN: R. BROWN 18MAR2008 CHK: M. McCARTHY 18MAR2008 APVD: M. McCARTHY 18MAR2008 PRODUCT SPEC: 108-1836 APPLICATION SPEC: 114-13000 WEIGHT:		Tyco Electronics Harrisburg, PA 17105-3608 NAME: RECEPTACLE HOUSING, 2 TO 6 POSN, SINGLE ROW, MICRO MATE-N-LOK(TM), TOP LATCH, 18 AWG SIZE: CAGE CODE DRAWING NO: A100779C=2008571 RESTRICTED TO:	
MATERIAL:				CUSTOMER DRAWING		SCALE: 8:1 SHEET 1 OF 1 REV: B3	

X-ON Electronics

Largest Supplier of Electrical and Electronic Components

Click to view similar products for [Pin & Socket Connectors](#) category:

Click to view products by [TE Connectivity](#) manufacturer:

Other Similar products are found below :

[6450822-1](#) [770392-1](#) [794042-1](#) [796885-1](#) [8-794535-1](#) [PLR3455ACS-222](#) [R929991004](#) [R929993003](#) [1403611-1](#) [1-480349-5](#) [152302-5](#)
[153211-2](#) [1586092-1](#) [1586129-1](#) [1586681-4](#) [1586700-1](#) [1586368-1](#) [1586380-1](#) [1586616-1](#) [1586680-5](#) [16-06-0038](#) [164164-5](#) [1-6609930-1](#)
[172296-1](#) [19-09-2035](#) [200503-1](#) [200788-2](#) [2029090-4](#) [2029095-4](#) [925061-7](#) [293734-4](#) [293737-2](#) [1-765362-4](#) [1871534-1](#) [200833-4](#)
[2008625-2](#) [2029027-2](#) [2029096-4](#) [R929991000](#) [R929991002](#) [R929993000](#) [319-10-101-00-005000](#) [319-10-102-00-001000](#) [319-10-104-00-001000](#) [319-10-105-00-001000](#) [319-10-108-00-001000](#) [319-10-112-00-006000](#) [39-01-8019](#) [319-10-101-00-001000](#) [319-10-102-00-005000](#)