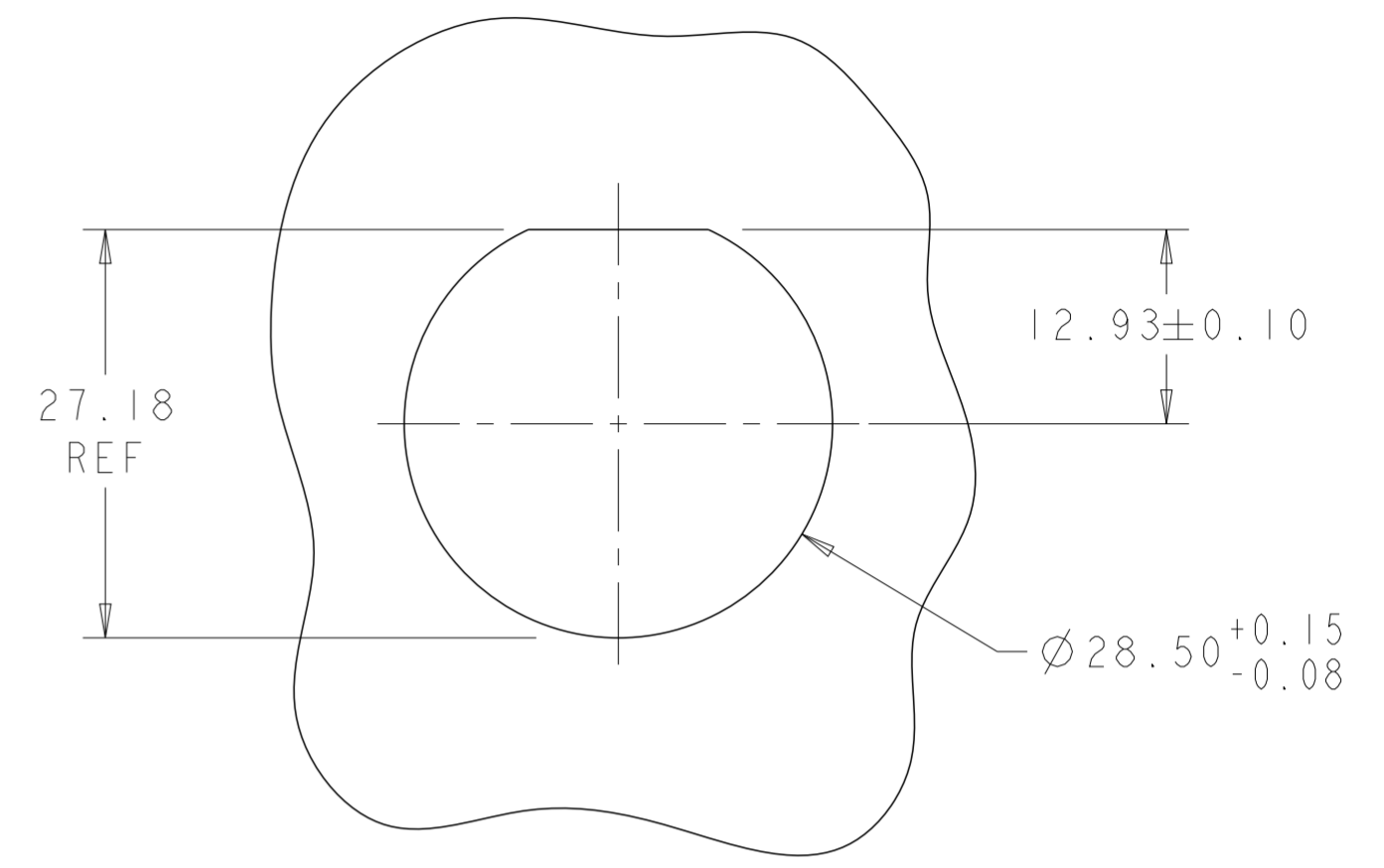
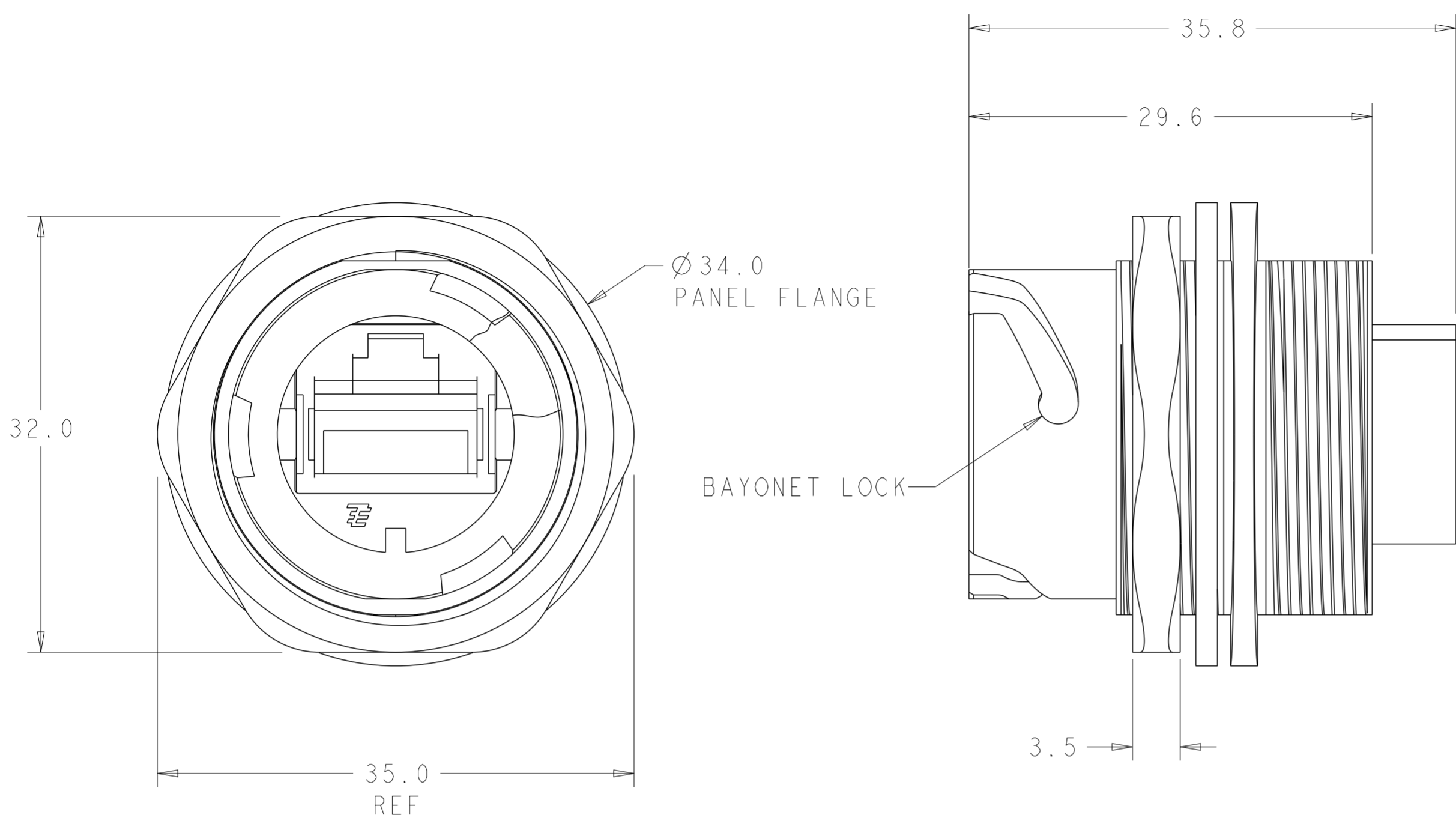
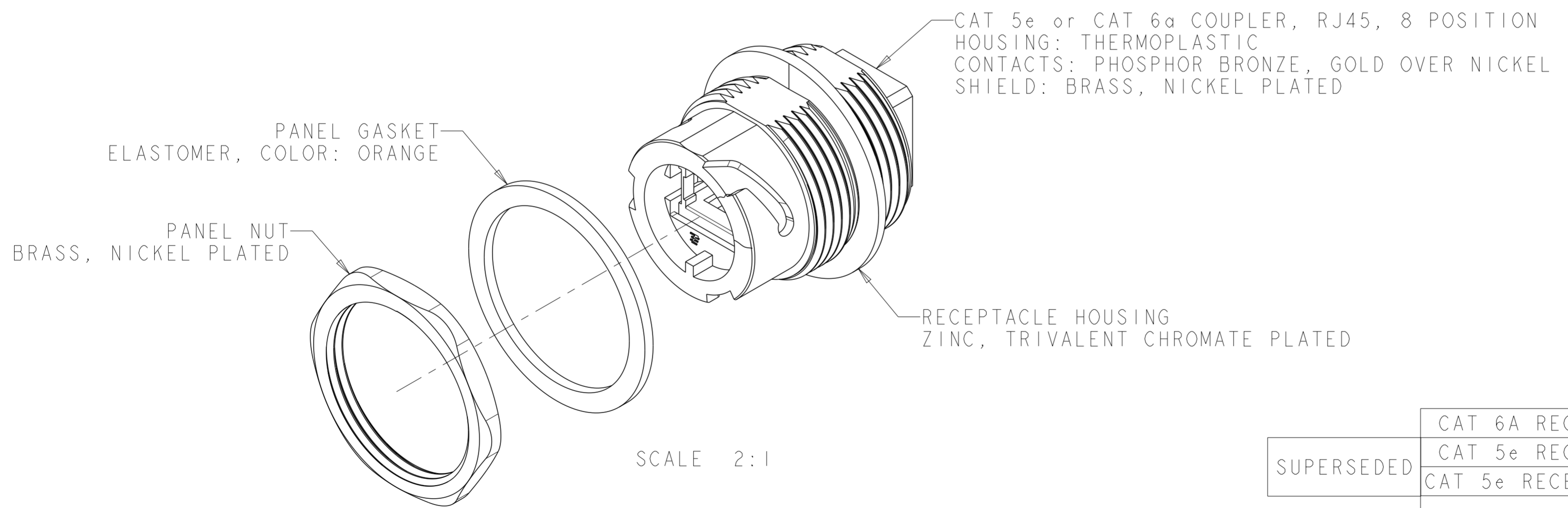


THIS DRAWING IS UNPUBLISHED. RELEASED FOR PUBLICATION 20  
 © COPYRIGHT 20 BY - ALL RIGHTS RESERVED.

LOC		DIST		REVISIONS			
P	LTR	DESCRIPTION	DATE	DWN	APVD		
A4		ECR-15-001104	30JAN2015	TJ	JK		
A5		PCN E-19-018630	05JUN2020	SS	JK		



RECOMMENDED PANEL CUTOUT  
 3.2mm MAXIMUM PANEL THICKNESS



SCALE 2:1

SUPERSEDED	CAT 6A RECEPTACLE ASSY, SHIELDED	2008615-3
	CAT 5e RECEPTACLE ASSY, SHIELDED	2008615-2
	CAT 5e RECEPTACLE ASSY, UNSHIELDED	2008615-1
	DESCRIPTION	PART NUMBER

- CONNECTOR MAY BE FRONT OR REAR PANEL MOUNTED. VIEWS SHOW PANEL NUT AND GASKET LOCATION FOR THE REAR PANEL MOUNTED VERSION.
- COUPLER LINES CROSSOVER BETWEEN POSTS.
- PANEL NUT AND PANEL GASKET ARE PACKAGED ASSEMBLED IN POLYBAG.

THIS DRAWING IS A CONTROLLED DOCUMENT.		DWN S. WELDON 01APR2008	<b>STE</b> TE Connectivity	
DIMENSIONS: mm		CHK C. HERTZLER 01APR2008		
TOLERANCES UNLESS OTHERWISE SPECIFIED:		APVD C. HERTZLER 01APR2008	NAME RECEPTACLE KIT, 8 POSITION INDUSTRIAL ETHERNET CONNECTOR	
0 PLC ±1.0		PRODUCT SPEC 108-2198	SIZE CAGE CODE DRAWING NO RESTRICTED TO	
1 PLC ±0.2		APPLICATION SPEC 114-13136	A200779 C-2008615	
2 PLC ±0.10		WEIGHT -	SCALE 3:1 SHEET 1 OF 1 REV A5	
3 PLC ±0.000		MATERIAL -	CUSTOMER DRAWING	
4 PLC ±0.000		FINISH -		
ANGLES ±				

## X-ON Electronics

Largest Supplier of Electrical and Electronic Components

*Click to view similar products for [Modular Connectors / Ethernet Connectors](#) category:*

*Click to view products by [TE Connectivity](#) manufacturer:*

Other Similar products are found below :

[8949-H88/06BLKA/SN](#) [74441-0010/BKN](#) [MP1010RX-1000](#) [MP44RX-1000](#) [PHJ-4P4C-1-V-4](#) [PHP-6P6C-5](#) [GAX-3-66](#) [GAX-8-62](#) [GDCX-PA-66-50](#) [GDCX-PN-64](#) [GDCX-PN-66](#) [GDCX-PN-66-50](#) [GDLX-A-66](#) [GDLX-N-66](#) [GDLX-S-66](#) [GDLX-S-88K](#) [GDLX-SMT-S-88](#) [GDTX-S-88-50](#) [GDX-PA-1010](#) [GLX-N-1010M-BLK](#) [GLX-S-88M-BLK](#) [GMX-N-1010](#) [GMX-S-1010](#) [GMX-S-66](#) [GMX-SMT4-N-88](#) [GPX-2-64](#) [GSGX-N-2-88](#) [GSGX-N-4-88](#) [GSX-NS2-88-3.05](#) [GSX-NS2-88-3.05-50](#) [GSX-NS-88-3.05-50](#) [PT-108A-8C-UL](#) [PT-J951-8C](#) [PTS-J531-8CS-50UL](#) [1-1775629-2](#) [A-2014-0-4](#) [GWLX-S-88-GR](#) [GWLX-S9-88-YG](#) [DC-1021-8-WH-6](#) [1300530003](#) [1324640-4](#) [RJ11FTVC2G](#) [RJ11FTVC2N](#) [RJFTVX2SA1G](#) [132764-001](#) [1413235](#) [MP88X-1000](#) [MPS88RX-5000](#) [E5288-S000K3-L](#) [E5908-15A242-L](#)