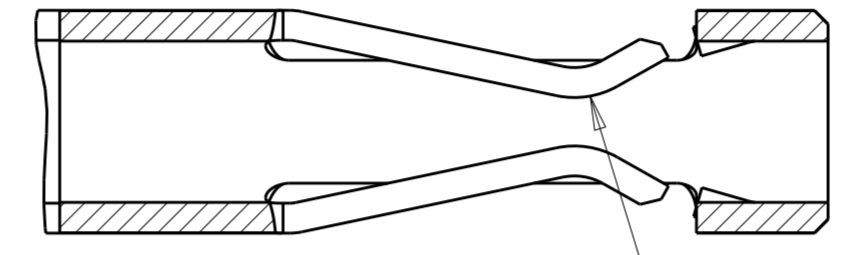
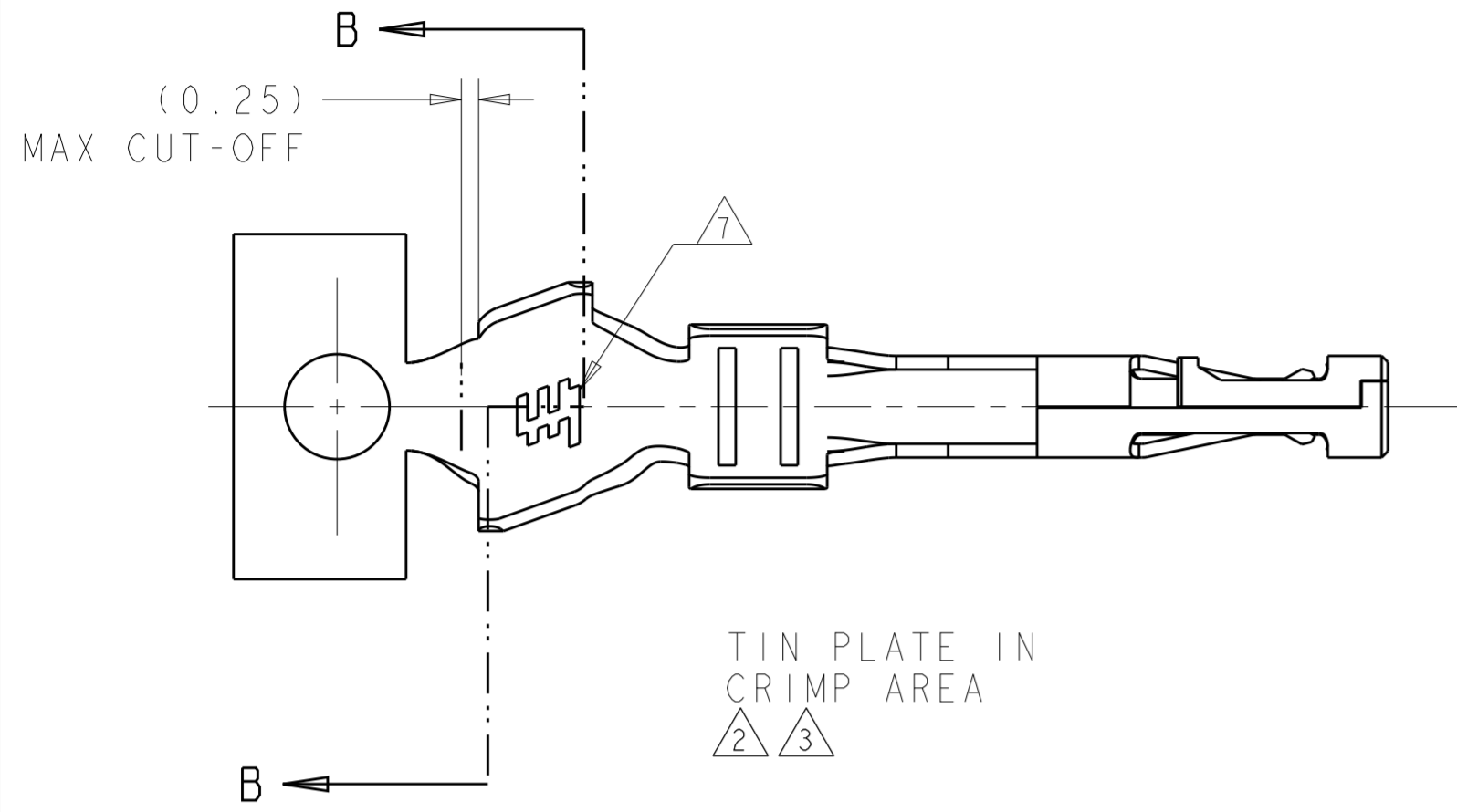


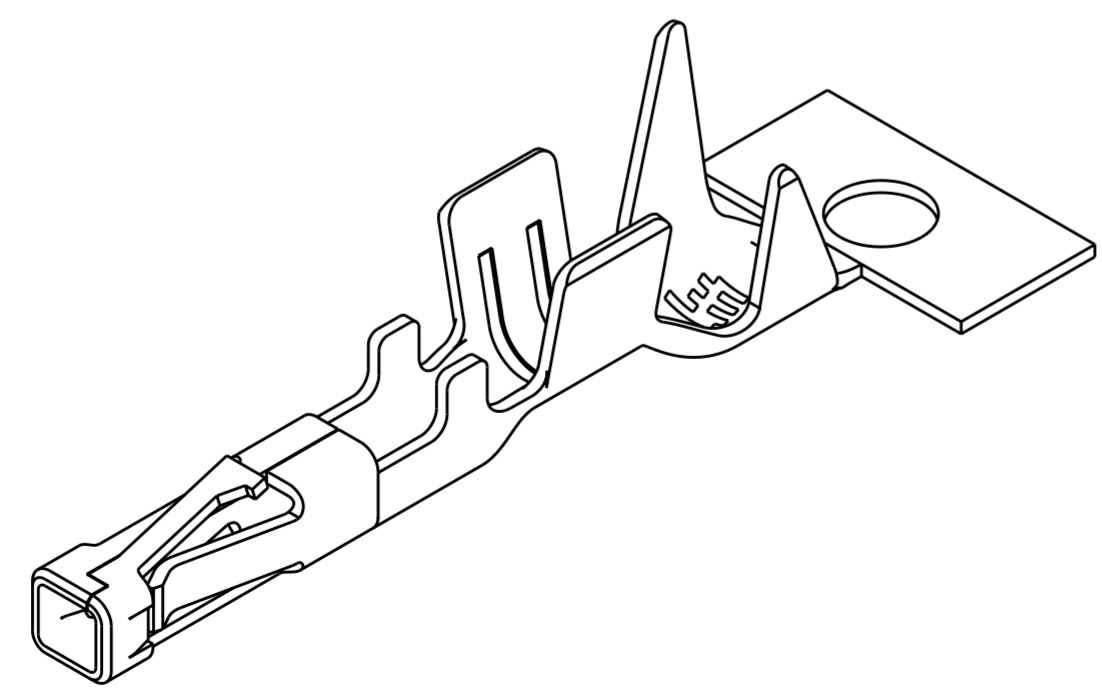
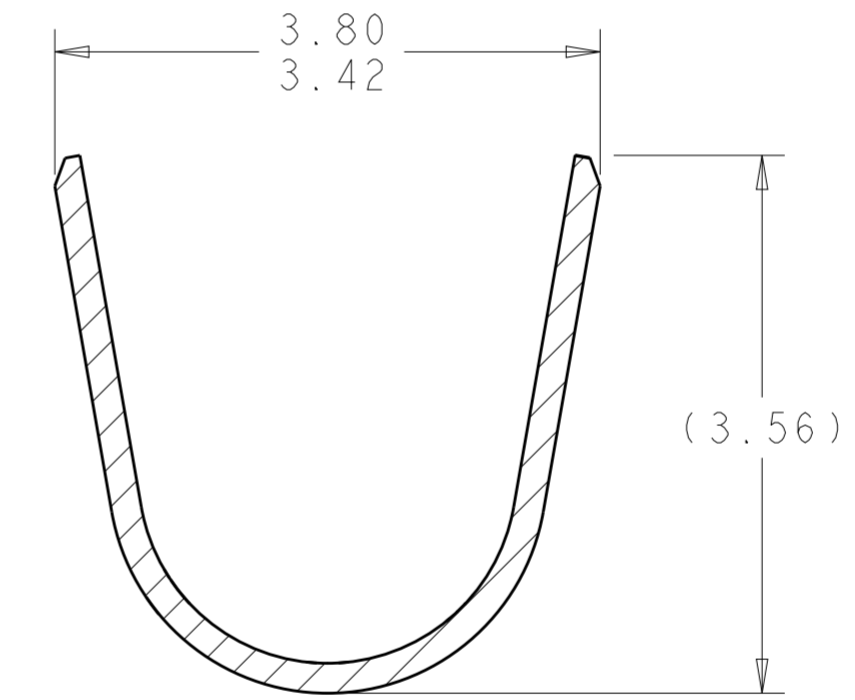
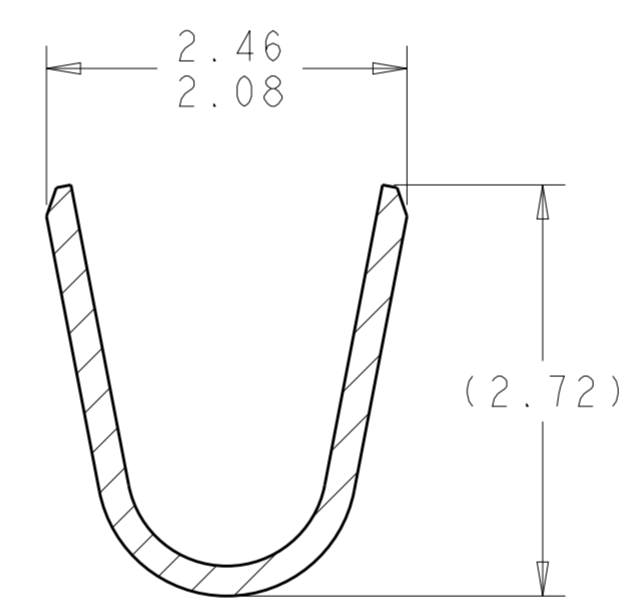
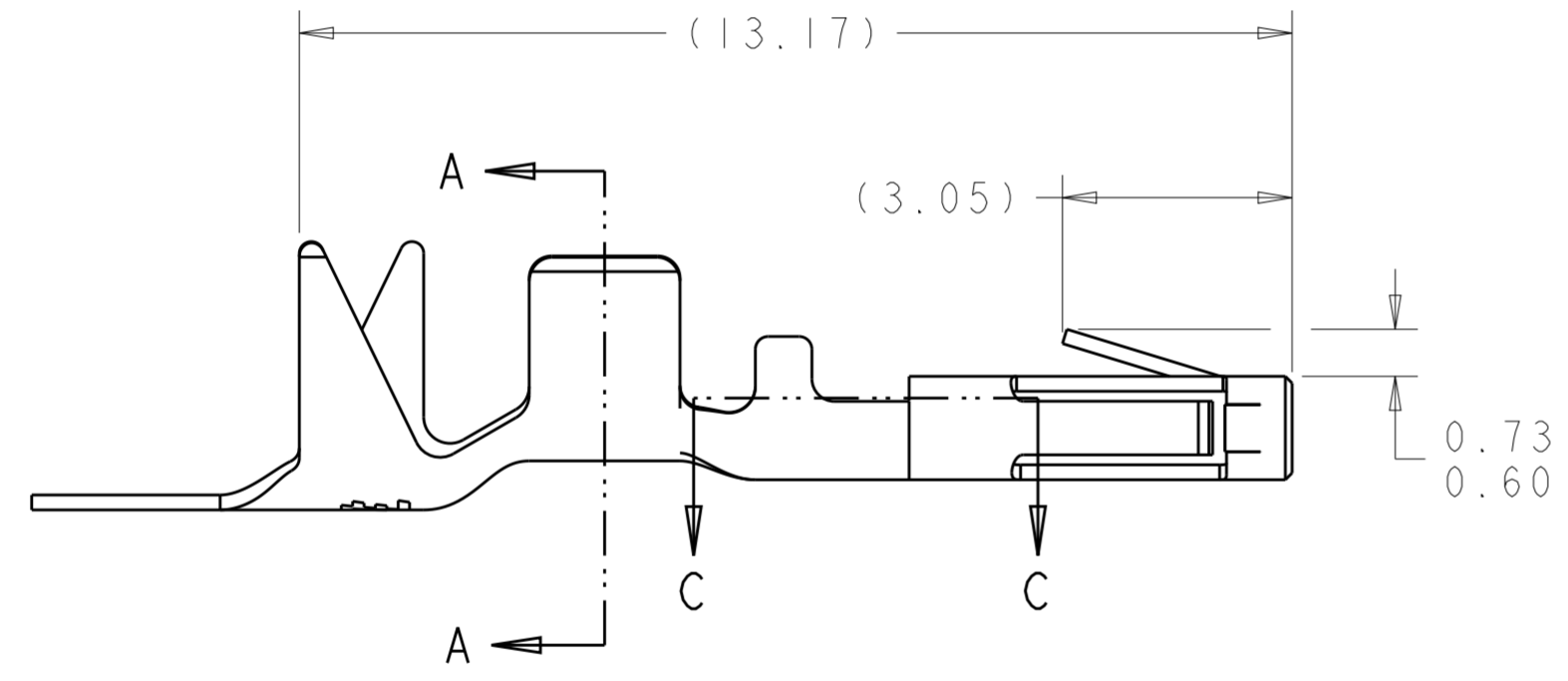
THIS DRAWING IS UNPUBLISHED. RELEASED FOR PUBLICATION 20
 © COPYRIGHT 20 BY TYCO ELECTRONICS CORPORATION. ALL RIGHTS RESERVED.

LOC		DIST		REVISIONS			
P	LTR	DESCRIPTION	DATE	DWN	APVD		
	A	REVISED PER ECO-09-012256	22MAY2009	HMR	SM		
	AI	ECO-19-006909	03MAY2019	AP	WS		



2 3
GOLD STRIPE TO BE ON THIS SIDE OF MATERIAL IN CONTACT AREA

- 1 PHOSPHOR BRONZE, 0.2 THK REF.
- 2 0.000381 MIN THK GOLD STRIPE IN CONTACT AREA, 0.00127 MIN BRIGHT TIN PLATE IN CRIMP AREA, 0.00127 MIN NICKEL PLATE ALL OVER.
- 3 0.000762 MIN THK GOLD STRIPE IN CONTACT AREA, 0.00127 MIN BRIGHT TIN PLATE IN CRIMP AREA, 0.00127 MIN NICKEL PLATE ALL OVER.
- 4. WIRE RANGE : 22 - 18 AWG
- 5. INSULATION RANGE : \varnothing 1.50 - 2.79
- 6 0.0381 MIN THK BRIGHT TIN PLATE, LUBRICATED
- 7 TYCO ELECTRONICS LOGO LOCATED APPROXIMATELY AS SHOWN.



3	2008625-3
2	2008625-2
6	2008625-1
FINISH	PART NUMBER



THIS DRAWING IS A CONTROLLED DOCUMENT FOR TYCO ELECTRONICS CORPORATION. IT IS SUBJECT TO CHANGE AND THE CONTROLLING ENGINEERING ORGANIZATION SHOULD BE CONTACTED FOR THE LATEST REVISION.

DIMENSIONS:	TOLERANCES UNLESS OTHERWISE SPECIFIED:	DWN	03APR2008	Tyco Electronics Harrisburg, PA 17105-3608	
mm	0 PLC ± 1 PLC ± 2 PLC ±0.13 3 PLC ± 4 PLC ±	CHK	03APR2008		
	ANGLES ±1° FINISH	APVD	28MAY2008		
		C	JONES		
MATERIAL	SEE NOTES	PRODUCT SPEC	108-1836	NAME	CONTACT, RECEPTACLE, CRIMP SNAP-IN MICRO MATE-N-LOK(TM) 22-18 AWG
		APPLICATION SPEC	114-13000	SIZE	
		WEIGHT	-	CAGE CODE	A200779
		CUSTOMER DRAWING		DRAWING NO	C-2008625
				RESTRICTED TO	-
				SCALE	10:1
				SHEET	1 OF 1
				REV	AI

X-ON Electronics

Largest Supplier of Electrical and Electronic Components

Click to view similar products for [Pin & Socket Connectors](#) category:

Click to view products by [TE Connectivity](#) manufacturer:

Other Similar products are found below :

[6450822-1](#) [770392-1](#) [794042-1](#) [796885-1](#) [8-794535-1](#) [PLR3455ACS-222](#) [R929991004](#) [R929993003](#) [1403611-1](#) [1-480349-5](#) [152302-5](#)
[153211-2](#) [1586092-1](#) [1586129-1](#) [1586681-4](#) [1586700-1](#) [1586368-1](#) [1586380-1](#) [1586616-1](#) [1586680-5](#) [16-06-0038](#) [164164-5](#) [1-6609930-1](#)
[172296-1](#) [19-09-2035](#) [200503-1](#) [200788-2](#) [2029090-4](#) [2029095-4](#) [925061-7](#) [293734-4](#) [293737-2](#) [1-765362-4](#) [1871534-1](#) [200833-4](#)
[2008625-2](#) [2029027-2](#) [2029096-4](#) [R929991000](#) [R929991002](#) [R929993000](#) [319-10-101-00-005000](#) [319-10-102-00-001000](#) [319-10-104-00-001000](#) [319-10-105-00-001000](#) [319-10-108-00-001000](#) [319-10-112-00-006000](#) [39-01-8019](#) [319-10-101-00-001000](#) [319-10-102-00-005000](#)