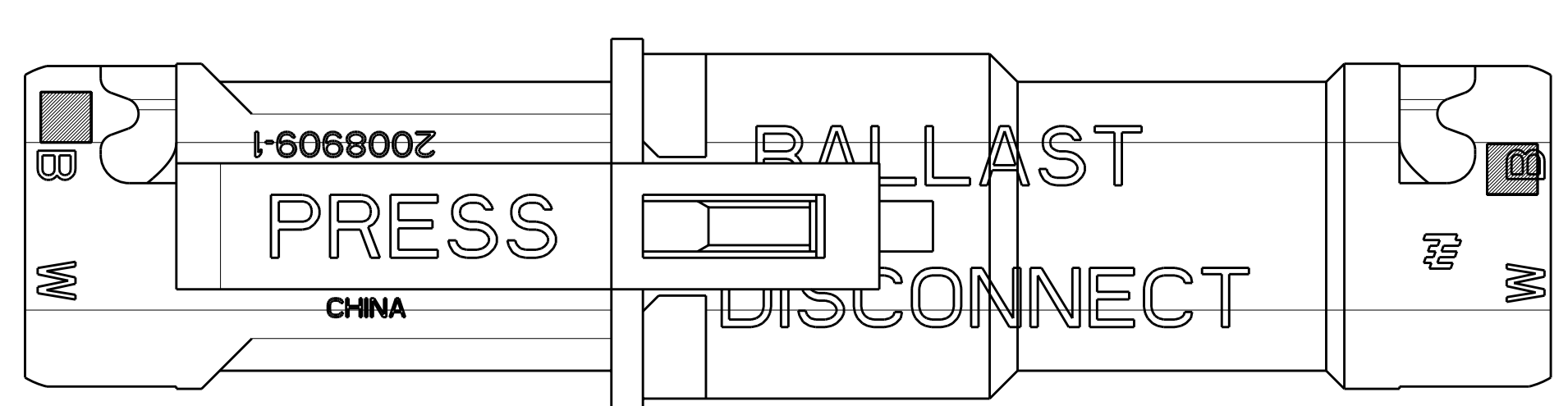
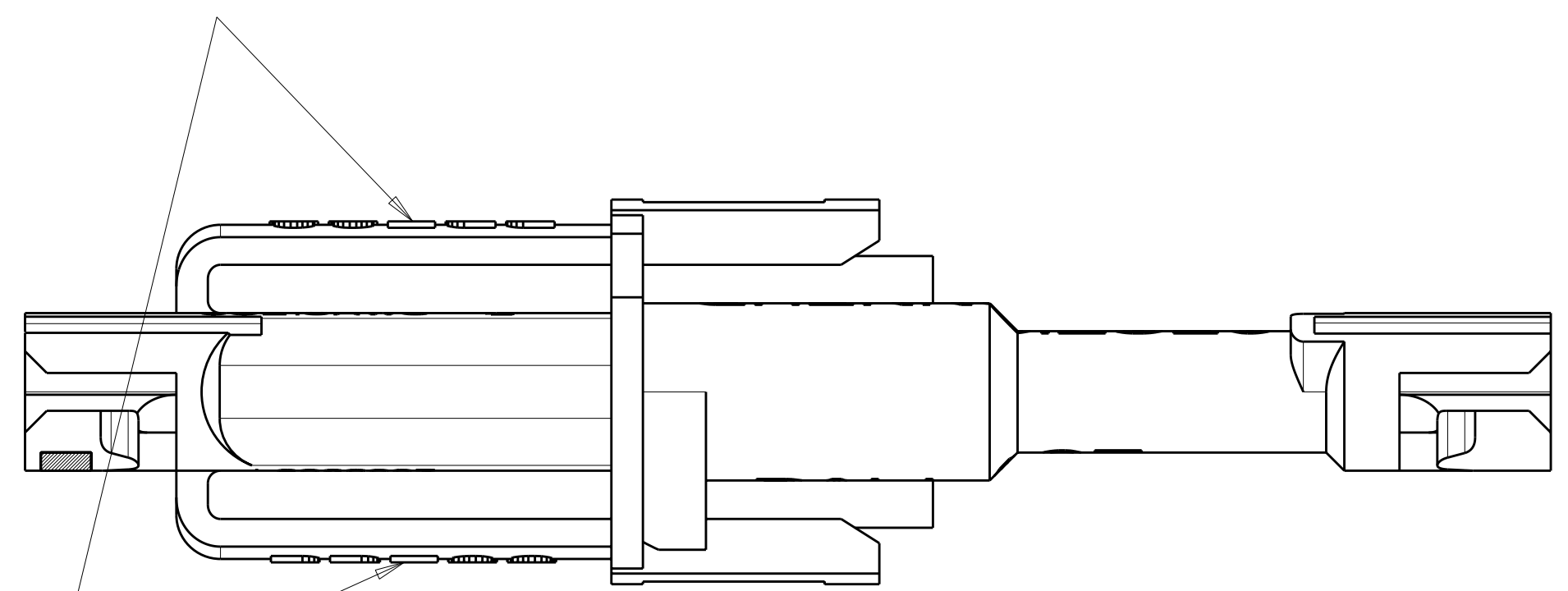
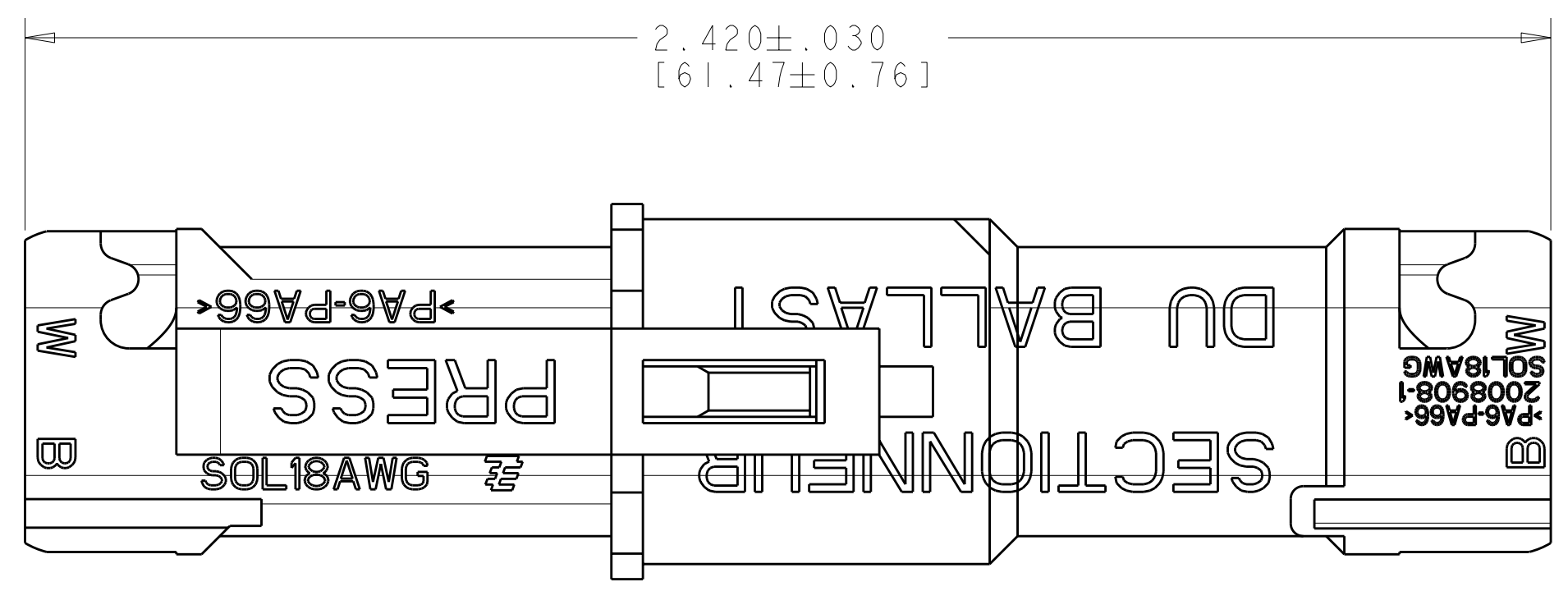
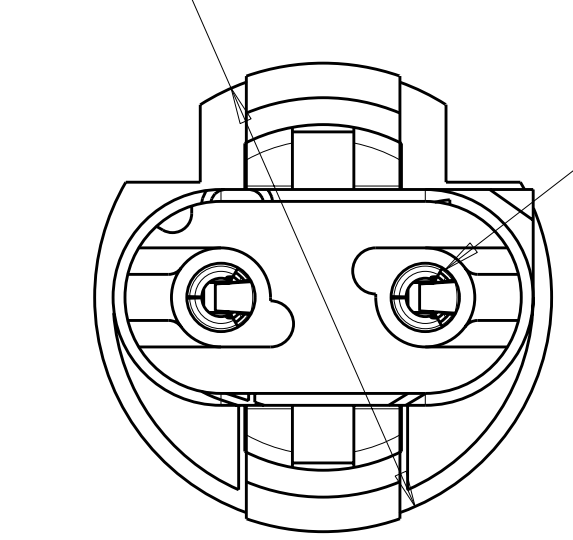


LOC	DIST	REVISIONS			
REV	DATE	DESCRIPTION	DATE	DWN	APVD
AF	50	A	REVISED PER ECR-09-020882	05OCT2009	HMR DD

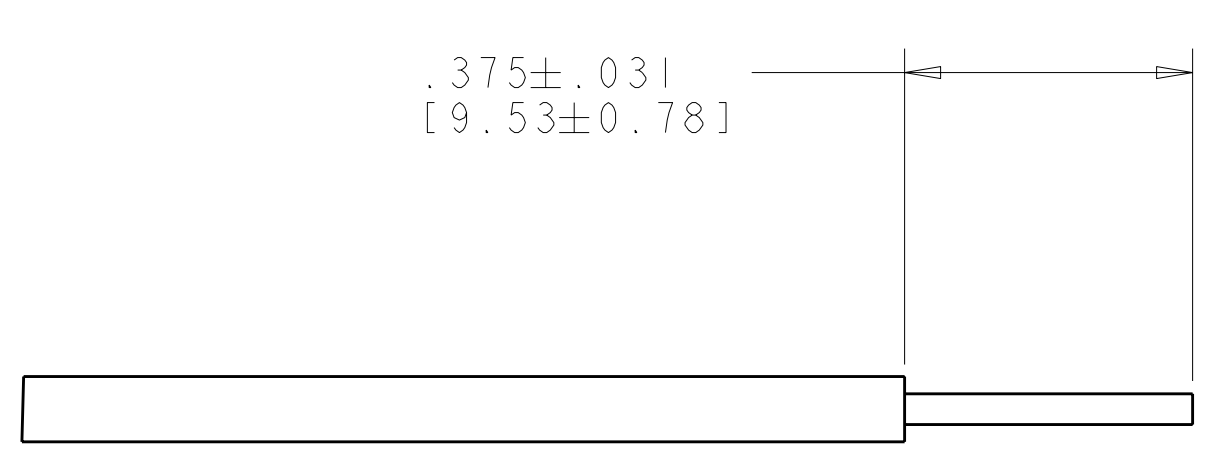


Ø .595±.010
[15.11±0.25]

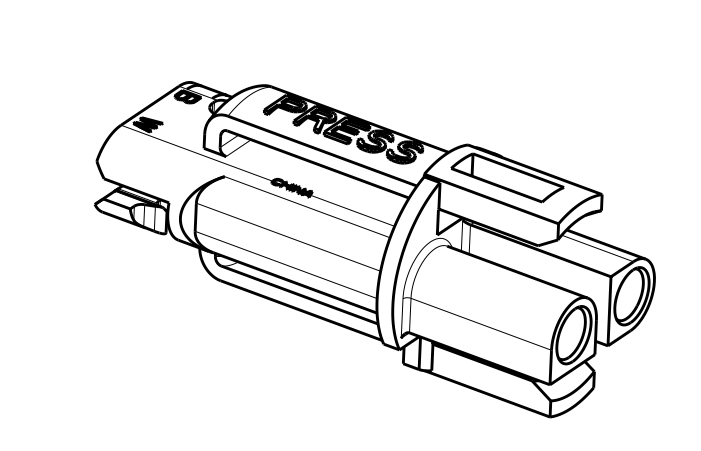


ACCEPTS 18 AWG SOLID WIRE
WITH .086 [2.18] MAX INSULATION DIAMETER
BOTH CONNECTORS

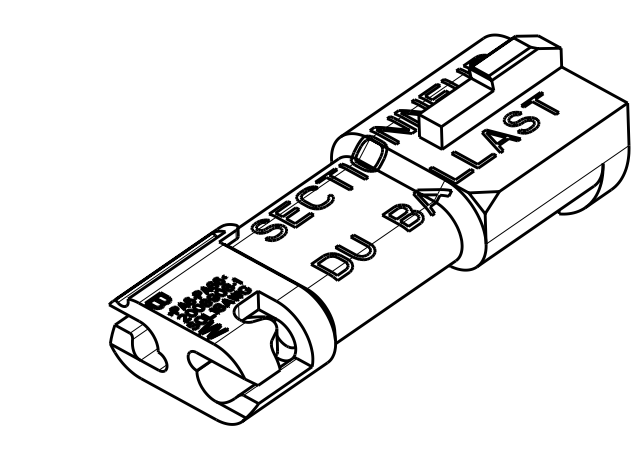
- △ MATERIAL:
HOUSINGS: POLYAMIDE, COLOR: ORANGE
CONTACTS: PHOSPHOR BRONZE
INK: BLACK
- △ FINISH:
CONTACTS: TIN PLATED
- 3. SEE INSTRUCTION SHEET 408-10153
- △ THIS PRODUCT HAS NOT COMPLETED
VALIDATION TESTING.



RECOMMENDED WIRE STRIP LENGTH



PLUG CONNECTOR ASSEMBLY



RECEPTACLE CONNECTOR ASSEMBLY

2008910-1
PART NUMBER

<small>THIS DRAWING IS UNPUBLISHED. RELEASED FOR PUBLICATION BY TYCO ELECTRONICS CORPORATION. IT IS SUBJECT TO CHANGE WITHOUT NOTICE AND WITHOUT OBLIGATION. SHOULD BE CONTACTED FOR THE LATEST REVISION.</small>		DWN S. GURURAJ 17JAN2008 CHK MCCARTHY 17JAN2008 APVD -	Tyco Electronics Harrisburg, PA 17105-3608
DIMENSIONS: IN [mm]	TOLERANCES UNLESS OTHERWISE SPECIFIED:	PRODUCT SPEC 108-2275 APPLICATION SPEC 114-13204 WEIGHT -	NAME ASSEMBLY, MATED PAIR, 2 POSITION PLUG AND RECEPTACLE PT, LIGHT-N-LOK SIZE CAGE CODE DRAWING NO A100779C-2008910 RESTRICTED TO -
MATERIAL △	FINISH △	CUSTOMER DRAWING	SCALE 2:1 SHEET 1 OF 1 REV A

X-ON Electronics

Largest Supplier of Electrical and Electronic Components

Click to view similar products for te connectivity manufacturer:

Other Similar products are found below :

[570416-000](#) [CLTEQ-M81CE-SSRELAY-4-20V](#) [4-1633138-8](#) [D38999/24FJ4AN](#) [358838-000](#) [4-1195131-0](#) [650069-000](#) [SMD100-2](#)
[2EDL4CM](#) [DTS20W19-11PD-3028](#) [DTS20W19-11PD-3028-LC](#) [DTS20W19-32SD-3028-LC](#) [DTS20W19-32SD-3028](#) [NC6-P104-06](#)
[TXR64AB90-3616AI](#) [DTS26F21-41HE](#) [DTS26F21-41AE](#) [DTS26F21-41PE-LC](#) [DTS26F21-11SE-3028-LC](#) [5-2027513-8](#) [D38999/20JB35HA](#)
[D38999/24WJ20PA](#) [164-8033-08](#) [D38999/24WG11HA](#) [D38999/24WG11HN](#) [MS27467T21F11H](#) [DJT16E21-11HA](#) [1-532955-3](#)
[DTS20W19-32SA-3028-LC](#) [DTS24F19-11SC-3028-LC](#) [DTS24F19-11SC-3028](#) [D38999/20WC8BB](#) [1-330599-5](#) [DTS24F21-41HN-LC](#)
[DTS24F21-41HN](#) [DTS24F21-41AN](#) [DTS24F21-39HN](#) [DTS24F21-41PN-LC](#) [AFD50-10-6SN-1A-LC](#) [DBAS 70-7-0 SN 090-1A SCC](#)
[ACT20JE99HA](#) [DJT16F17-26HB](#) [MS27467T21F35J](#) [MS27467T21F11J](#) [MS27467T21F16H-LC](#) [MS27467T21F35H](#) [MS27467T21F41H-LC](#)
[DJT16E21-11PA-LC](#) [DJT16E21-11HA-LC](#) [DJT16E21-11AA](#)