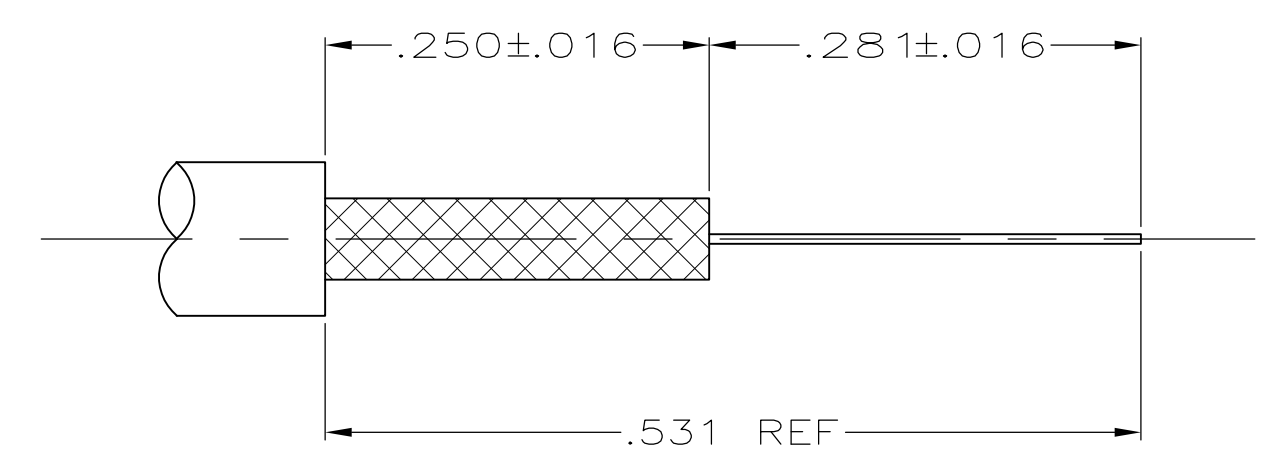


- 1 BRASS PER QQ-B-626.
- 2 BERYLLIUM COPPER PER ASTM-B-196
- 3 NYLON PER ASTM-D-4066, BLACK
- 4 POLYMETHYLPENTENE GENERAL PURPOSE, NATURAL
- 5 .000030 MINIMUM GOLD PER MIL-G-45204.
- 6 .000050 MINIMUM GOLD PER MIL-G-45204.
- 7 .000100 MINIMUM GOLD PER MIL-G-45204.
- 8 RG-174/U, RG-179A/U, RG-187/U, AND 21-598.
- 9 SHIELDED CABLE #26=NAS-702 CLASS A & C, AND MIL-W-16878 TYPES E & EE, SHIELDED CABLE #24=NAS-702 CLASS A & C, AND MIL-W-16878 TYPES E & EE, SHIELDED CABLE #22=NAS-702 CLASS C, AND MIL-W-16878 TYPE E, AND MIL-C-7078A TYPE I NUMBER 1 DIELECTRIC .068 O.D.
- 10. SEE IS 408-1770
- 12 NYLON PER ASTM-D-4066, NATURAL
- 13 DIELECTRIC MATERIAL: VALOX 325 WHITE



VIEW D
RECOMMENDED STRIP LENGTH

13	5	5	.030 OUNCES	-	-	.032±.003	-	-	-	2-201143-5
13	5	5	.030 OUNCES	-	-	.032±.003	-	-	-	2-201143-4
	7	7	.030 OUNCES	-	-	.032±.003	-	-	-	201143-7
	5	5	.030 OUNCES	-	-	.032±.003	-	-	-	201143-5
	5	5	.030 OUNCES	-	-	.042±.003	-	-	-	201143-3
	5	5	.030 OUNCES	-	-	.023±.003	-	-	-	201143-1
			CONTACT PLATING						3 FERRULE QTY=1	
			SHELL PLATING						2 SPRING RETENTION QTY=1	
			WEIGHT						1 PIN ASSY QTY=1	
			CABLE OR WIRE SIZE							PART NUMBER

THIS DRAWING IS A CONTROLLED DOCUMENT.

DIMENSIONS: INCHES	TOLERANCES UNLESS OTHERWISE SPECIFIED:	0 PLC ± -	1 PLC ± -	2 PLC ± .008	3 PLC ± -	4 PLC ± -	ANGLES ± -
MATERIAL		FINISH		WEIGHT	SEE TABLE	SIZE	A1
CUSTOMER DRAWING		SCALE	8:1	SHEET	1 OF 1	REV	AZ1

STE TE Connectivity
PIN, MINIATURE SERIES
108-12021

X-ON Electronics

Largest Supplier of Electrical and Electronic Components

Click to view similar products for [RF Connectors / Coaxial Connectors](#) category:

Click to view products by [TE Connectivity](#) manufacturer:

Other Similar products are found below :

[8915-1511-000](#) [89674-0827](#) [6001-7071-019](#) [6002-7051-003](#) [6002-7551-202](#) [6059674-1](#) [619550-1](#) [630059-000](#) [M39030/3-01N](#) [6500-7071-046](#) [6769](#) [CX050L2AQ](#) [7002-1541-010](#) [7002-1542-011](#) [7004-1512-000](#) [7009-1511-004](#) [7010-1511-000](#) [7029-1511-060](#) [7101-1541-010](#) [7101-1571-002](#) [7105-1521-002](#) [7145-1521-002](#) [7203-1571-003](#) [7209-1511-011](#) [7210-1511-015](#) [7210-1511-019](#) [73137-5015](#) [73216-2241](#) [73404-2300](#) [7405-1521-005](#) [7405-1521-802](#) [8527](#) [8547](#) [FS11V](#) [877931](#) [9049-9513-000](#) [9074-9513-000](#) [9101-9573-002](#) [910A205F](#) [9130-9573-002](#) [PL11SC-026](#) [PL375-33](#) [PL40-5](#) [PL74C-221](#) [PL75MC-217](#) [PL803-7](#) [1200690078](#) [1-201144-1](#) [R107003010W](#) [R110A172100](#)