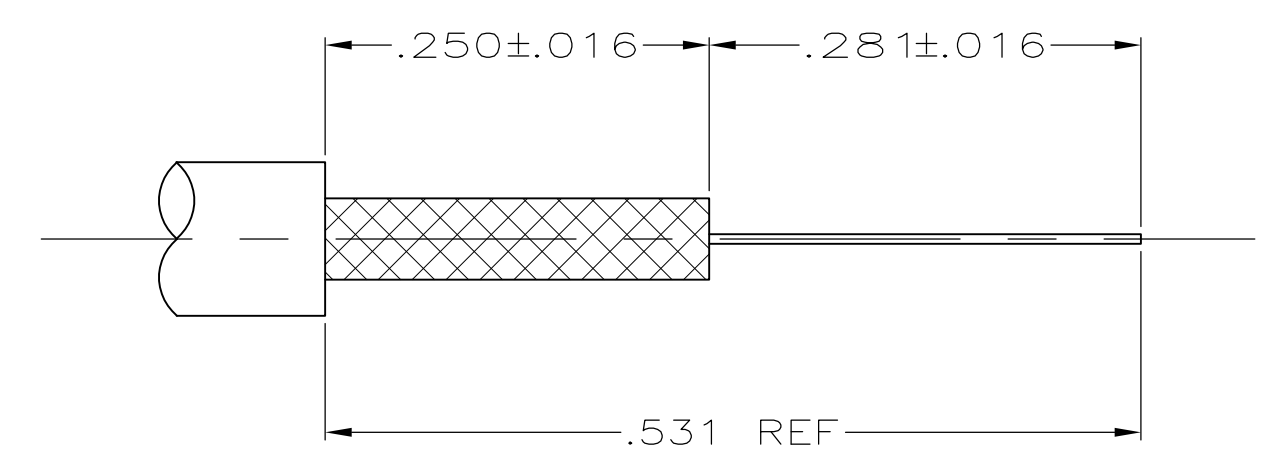
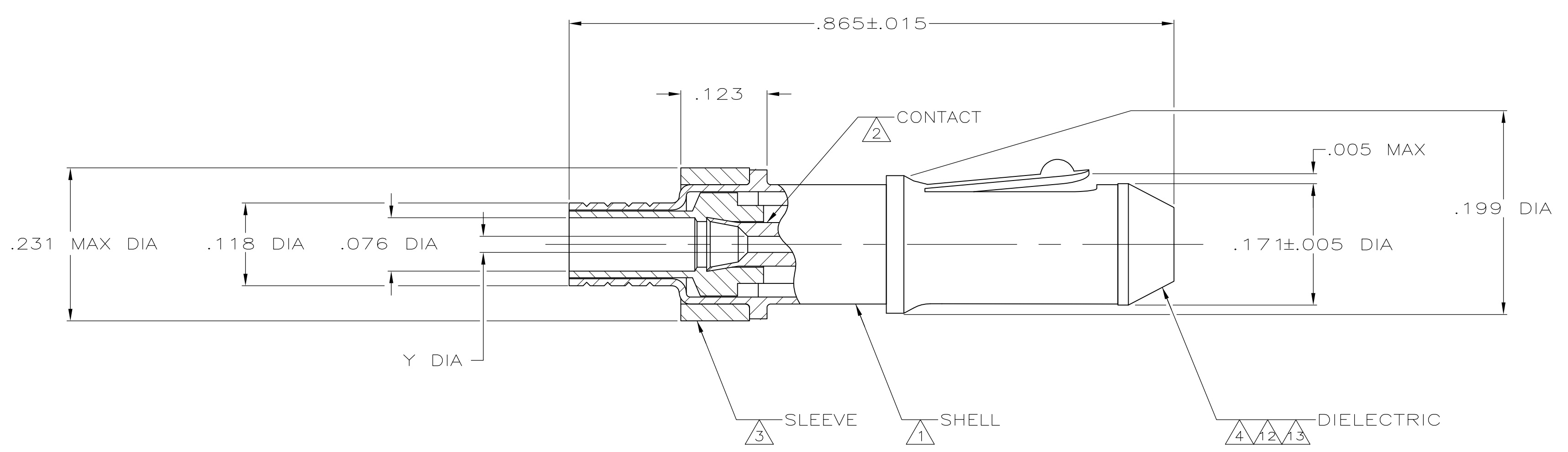


LOC	DIST	REVISIONS			
		REV	DESCRIPTION	DATE	BY
AJ	16	AZ1	REVISED PER ECO-11-005030	11MAR11	RK HMR

- ① BRASS PER QQ-B-626.
- ② BERYLLIUM COPPER PER ASTM-B-196
- ③ NYLON PER ASTM-D-4066, BLACK
- ④ POLYMETHYLPENTENE GENERAL PURPOSE, NATURAL
- ⑤ .000030 MINIMUM GOLD PER MIL-G-45204.
- ⑥ .000050 MINIMUM GOLD PER MIL-G-45204.
- ⑦ .000100 MINIMUM GOLD PER MIL-G-45204.
- ⑧ RG-174/U, RG-179A/U, RG-187/U, AND 21-598.
- ⑨ SHIELDED CABLE #26=NAS-702 CLASS A & C, AND MIL-W-16878 TYPES E & EE, SHIELDED CABLE #24=NAS-702 CLASS A & C, AND MIL-W-16878 TYPES E & EE, SHIELDED CABLE #22=NAS-702 CLASS C, AND MIL-W-16878 TYPE E, AND MIL-C-7078A TYPE I NUMBER 1 DIELECTRIC .068 O.D.
- 10. SEE IS 408-1770
- ⑫ NYLON PER ASTM-D-4066, NATURAL
- ⑬ DIELECTRIC MATERIAL: VALOX 325 WHITE



VIEW D
RECOMMENDED STRIP LENGTH

⑬	⑤	⑤	.030 OUNCES	-	-	.032±.003	-	-	-	2-201143-5
⑬	⑤	⑤	.030 OUNCES	-	-	.032±.003	-	-	-	2-201143-4
	⑦	⑦	.030 OUNCES	-	-	.032±.003	-	-	-	201143-7
	⑤	⑤	.030 OUNCES	-	-	.032±.003	-	-	-	201143-5
	⑤	⑤	.030 OUNCES	-	-	.042±.003	-	-	-	201143-3
	⑤	⑤	.030 OUNCES	-	-	.023±.003	-	-	-	201143-1
CONTACT PLATING	SHELL PLATING	WEIGHT	CABLE OR WIRE SIZE	CRIMP TOOL	Y	③ FERRULE QTY=1	② SPRING RETENTION QTY=1	① PIN ASSY QTY=1	PART NUMBER	

THIS DRAWING IS A CONTROLLED DOCUMENT.

DIMENSIONS: INCHES	TOLERANCES UNLESS OTHERWISE SPECIFIED:	APPROVED: B. ADAMS	DATE: 23 FEB 90
0. PLC ± -	1. PLC ± -	NAME: PIN, MINIATURE SERIES	PRODUCT SPEC: 108-12021
2. PLC ± .008	3. PLC ± -	APPLICATION SPEC: -	SIZE: -
4. PLC ANGLES ± -		WEIGHT: SEE TABLE	SCALE: 8:1

MATERIAL: ①②③④ FINISH: ⑤⑥⑦

APPROVED: J. LIPPERT DATE: 08 JAN 90
 CHK: M. SNFED DATE: 23 FEB 90

STE TE Connectivity

SIZE: A1 CAGE CODE: 00779 DRAWING NO: 201143

CUSTOMER DRAWING SHEET 1 OF 1 REV: AZ1

X-ON Electronics

Largest Supplier of Electrical and Electronic Components

Click to view similar products for [RF Connectors / Coaxial Connectors](#) category:

Click to view products by [TE Connectivity](#) manufacturer:

Other Similar products are found below :

[8915-1511-000](#) [89674-0827](#) [6001-7071-019](#) [6002-7051-003](#) [6002-7551-202](#) [6059674-1](#) [619550-1](#) [630059-000](#) [M39030/3-01N](#) [6500-7071-046](#) [6769](#) [CX050L2AQ](#) [7002-1541-010](#) [7002-1542-011](#) [7004-1512-000](#) [7009-1511-004](#) [7010-1511-000](#) [7029-1511-060](#) [7101-1541-010](#) [7101-1571-002](#) [7105-1521-002](#) [7145-1521-002](#) [7203-1571-003](#) [7209-1511-011](#) [7210-1511-015](#) [7210-1511-019](#) [73137-5015](#) [73216-2241](#) [73404-2300](#) [7405-1521-005](#) [7405-1521-802](#) [8527](#) [8547](#) [FS11V](#) [877931](#) [9049-9513-000](#) [9074-9513-000](#) [9101-9573-002](#) [910A205F](#) [9130-9573-002](#) [PL11SC-026](#) [PL375-33](#) [PL40-5](#) [PL74C-221](#) [PL75MC-217](#) [PL803-7](#) [1200690078](#) [1-201144-1](#) [R107003010W](#) [R110A172100](#)