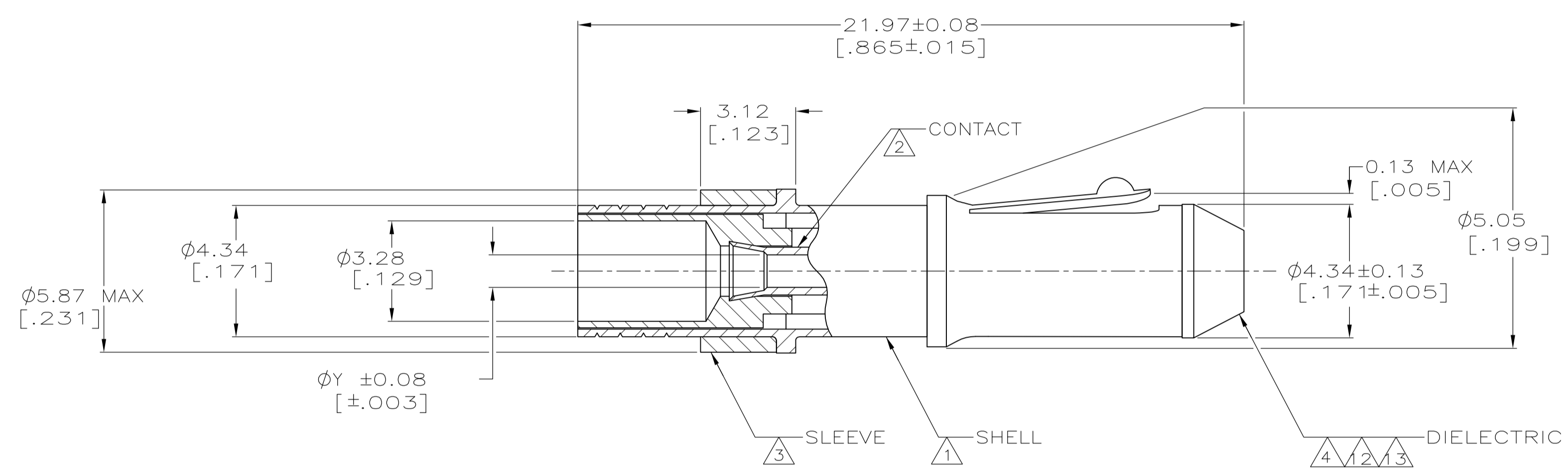


THIS DRAWING IS UNPUBLISHED. RELEASED FOR PUBLICATION .19
 © COPYRIGHT 19 BY AMP INCORPORATED. ALL RIGHTS RESERVED.

LOC	DIST	REVISIONS					
		P	LTR	DESCRIPTION	DATE	DWN	APVD
AJ	16	BH		REVISED PER EC 0S14-0288-02	18DEC02	DD	KW
		BH1		REVISED PER ECO-09-020935	09SEP09	KK	AEG

- 1 BRASS PER QQ-B-626.
- 2 BERYLLIUM COPPER PER ASTM-B-196
- 3 NYLON PER ASTM-D-4066, BLACK.
- 4 POLYMETHYLPENTENE GENERAL PURPOSE, NATURAL.
- 5 0.00076[.000030] MINIMUM GOLD PER MIL-G-45204.
- 6 0.00254[.000100] MINIMUM GOLD PER MIL-G-45204.
- 7 RG-180/U, RG-180A/U, RG-195/U, AND 21-597.
- 8 RG-58/U, RG-58A/U, RG-58B/U, AND RG-58C/U.
- 9 RG-55/U, RG-55A/U, RG-55B/U, RG-141/U, RG-142/U, AND RG-223/U.
- 10 BRAND REX T-209A.
- 11. SEE IS 1770.
- 12 NYLON PER ASTM-D-4066, NATURAL
- 13 DIELECTRIC MATERIAL: VALOX 325, WHITE
- 14 OBSOLETE PARTS: OBSOLETE CIS STREAMLINING PER D.RENAUD/D.SINISI



13	OBSOLETE	5	5	.030 OUNCES	-	-	1.07 [.042]	-	-	-	2-201145-7		
12	OBSOLETE	5	5	.030 OUNCES	-	-	1.07 [.042]	-	-	-	2-201145-6		
	OBSOLETE	6	6	.030 OUNCES	-	-	0.58 [.023]	-	-	-	1-201145-0		
	OBSOLETE	5	5	.030 OUNCES	-	-	0.81 [.032]	-	-	-	201145-8		
		5	5	.030 OUNCES	-	-	1.07 [.042]	-	-	-	201145-4		
		5	5	.030 OUNCES	-	-	0.58 [.023]	-	-	-	201145-2		
14	OBSOLETE	5	5	.030 OUNCES	-	-	1.07 [.042]	-	-	-	201145-1		
				CONTACT PLATING	SHELL PLATING	WEIGHT	CABLE SIZE	CRIMP TOOL	Y	3 FERRULE QTY=1	2 SPRING RETENTION QTY=1	1 PIN ASSY QTY=1	PART NUMBER

THIS DRAWING IS A CONTROLLED DOCUMENT.

DIMENSIONS: mm [INCHES]	TOLERANCES UNLESS OTHERWISE SPECIFIED: 0 PLC ±- 1 PLC ±- 2 PLC ±- 3 PLC ±0.20[.008] 4 PLC ±- ANGLES ±-	DWN J. LIPPERT 08 JAN 90	CHK M. SNEED 23 FEB 90	APVD B. ADAMS 23 FEB 90	NAME
MATERIAL SEE NOTES		FINISH SEE NOTES		PRODUCT SPEC 108-12021	
CUSTOMER DRAWING		SIZE A100779	CAGE CODE C-201145	DRAWING NO 201145-1	RESTRICTED TO -

AMP TYCO Electronics
Harrisburg, PA 17105-3608

PIN, MINIATURE SERIES

SCALE 8:1 SHEET 1 OF 1 REV BHI

X-ON Electronics

Largest Supplier of Electrical and Electronic Components

Click to view similar products for [RF Connectors / Coaxial Connectors](#) category:

Click to view products by [TE Connectivity](#) manufacturer:

Other Similar products are found below :

[R125315120](#) [8915-1511-000](#) [89674-0827](#) [5916-1103-603](#) [6-0001-3](#) [6001-7071-019](#) [6002-7051-003](#) [6002-7551-202](#) [6059674-1](#) [619550-1](#)
[630059-000](#) [M39012/25-0021](#) [M39012/79-3008](#) [M39030/3-01N](#) [M39030/3-03N](#) [M3933/25-36N](#) [6500-7071-046](#) [M83723/72W24576](#)
[M83723/72W2457N](#) [6769](#) [CX050L2AQ](#) [7002-1541-010](#) [7002-1572-002](#) [7003-1572-002](#) [7010-1511-000](#) [7029-1511-060](#) [7101-1541-010](#)
[7101-1571-002](#) [7105-1521-002](#) [7145-1521-002](#) [7209-1511-011](#) [7210-1511-015](#) [7210-1511-019](#) [7225-1512-050](#) [7242-1511-000](#) [73137-5015](#)
[73251-0111](#) [73251-0672](#) [7325-1512-000](#) [73276-1501](#) [73366-0013](#) [73404-2300](#) [73413-6080](#) [73415-5721](#) [7405-1521-005](#) [7405-1521-802](#)
[7406-1521-005](#) [804S01D04M040](#) [8145-1521-002](#) [81590](#)