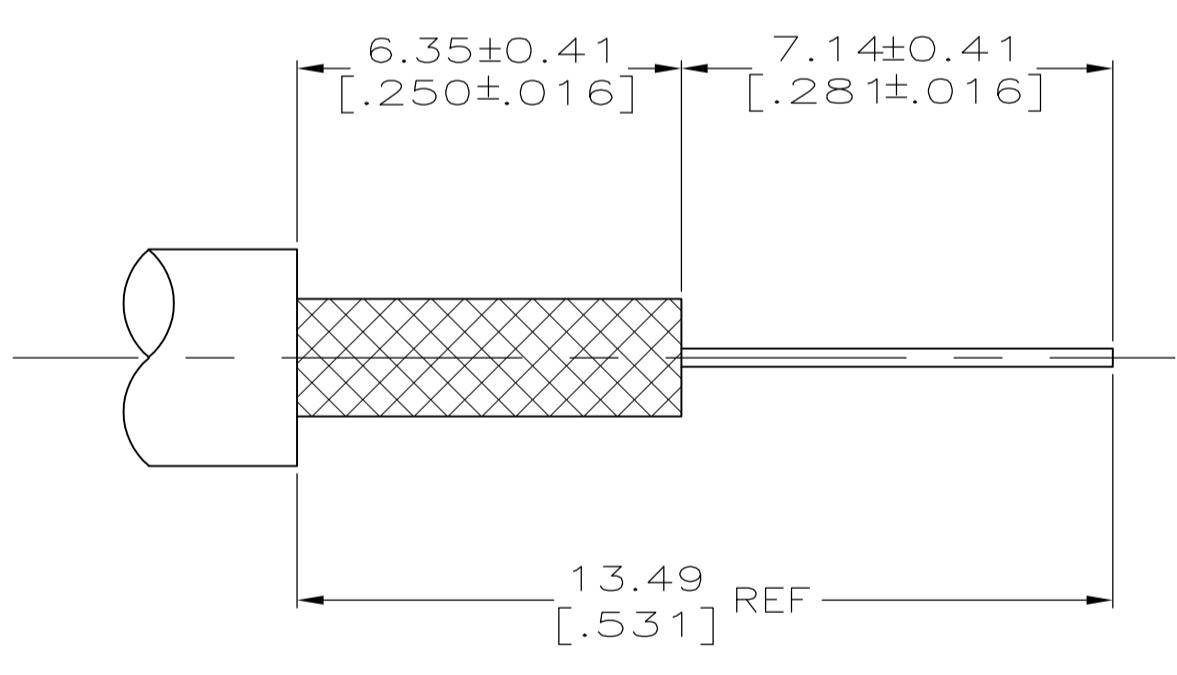
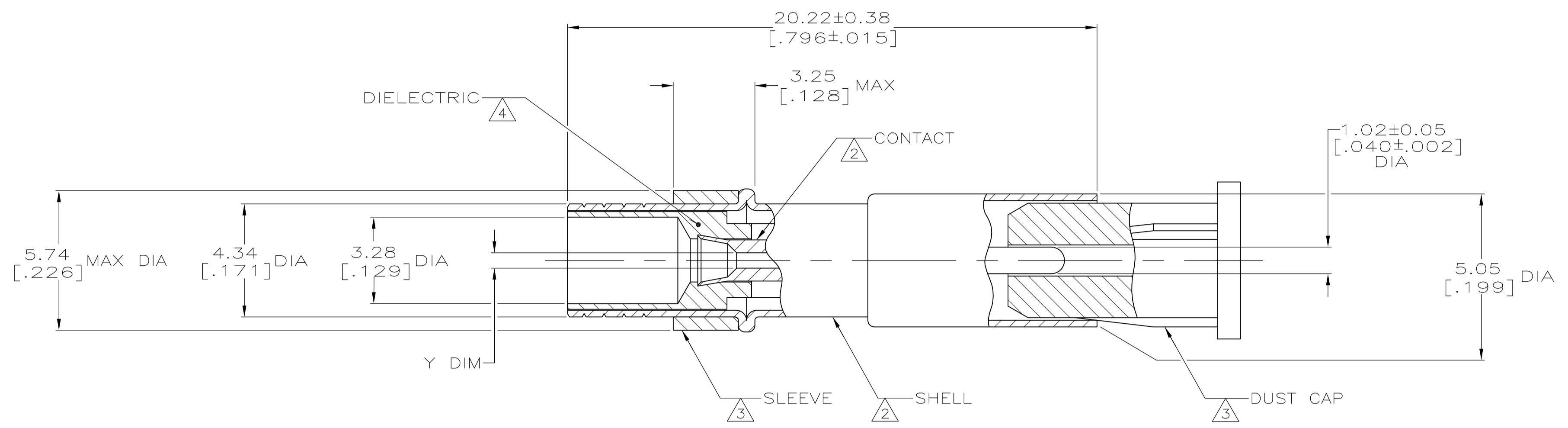


| LOC | | DIST | | REVISIONS | | | |
|-----|----|------|---------------------------|-----------|----|-----|------|
| REV | BY | DATE | DESCRIPTION | DATE | BY | CHK | APPV |
| AJ | | 16 | | | | | |
| BL1 | | | REVISED PER ECO-11-005030 | 11MAR11 | RK | HMR | |

1. SEE IS 1770
2. BRASS PER QQ-B-626
3. NYLON PER ASTM-D-4066, NATURAL.
4. POLYMETHYLPENTENE GENERAL PURPOSE.
5. .000030 MINIMUM GOLD PER MIL-G-45204.
6. .000100 MINIMUM GOLD PER MIL-G-45204.



RECOMMENDED STRIP LENGTH

| REV | DESCRIPTION | DATE | BY | CHK | APPV |
|-----|-------------|------|----|-----|------|
| 6 | OBSOLETE | | | | |
| 5 | | | | | |
| 4 | | | | | |
| 3 | | | | | |
| 2 | | | | | |
| 1 | | | | | |

| CONTACT PLATING | SHELL PLATING | "Y" DIM | PART NUMBER |
|-----------------|---------------|---------|-------------|
| | | | |

| | | | | |
|--|---------------|------------------------|--------------------------------|--|
| THIS DRAWING IS A CONTROLLED DOCUMENT. | | DWG: WERNER 8-9-94 | TE Connectivity | |
| DIMENSIONS: mm [INCHES] | | CHK: J. McLEOD 8-9-94 | | |
| TOLERANCES UNLESS OTHERWISE SPECIFIED: | | APPV: J. McLEOD 8-9-94 | NAME: SOCKET, MINIATURE SERIES | |
| 0. PLC | ± - | PRODUCT SPEC | APPLICATION SPEC | |
| 1. PLC | ± - | APPLICATION SPEC | SIZE: A1 | |
| 2. PLC | ± 0.20 [.008] | WEIGHT: - | CAGE CODE: 00779 | |
| 3. PLC | ± - | RESTRICTED TO: | DRAWING NO: 201146 | |
| 4. PLC | ± - | | SCALE: 8:1 | |
| ANGLES | ± - | | SHEET: 1 of 1 | |
| MATERIAL | FINISH | CUSTOMER DRAWING | REV: BL1 | |

X-ON Electronics

Largest Supplier of Electrical and Electronic Components

Click to view similar products for [RF Connectors / Coaxial Connectors](#) category:

Click to view products by [TE Connectivity](#) manufacturer:

Other Similar products are found below :

[R125315120](#) [8915-1511-000](#) [89674-0827](#) [5916-1103-603](#) [6-0001-3](#) [6001-7071-019](#) [6002-7051-003](#) [6002-7551-202](#) [6059674-1](#) [619550-1](#)
[630059-000](#) [M39012/25-0021](#) [M39012/79-3008](#) [M39030/3-01N](#) [M39030/3-03N](#) [M3933/25-36N](#) [6500-7071-046](#) [M83723/72W24576](#)
[M83723/72W2457N](#) [6769](#) [CX050L2AQ](#) [7002-1541-010](#) [7002-1572-002](#) [7003-1572-002](#) [7010-1511-000](#) [7029-1511-060](#) [7101-1541-010](#)
[7101-1571-002](#) [7105-1521-002](#) [7145-1521-002](#) [7209-1511-011](#) [7210-1511-015](#) [7210-1511-019](#) [7225-1512-050](#) [7242-1511-000](#) [73137-5015](#)
[73251-0111](#) [73251-0672](#) [7325-1512-000](#) [73276-1501](#) [73366-0013](#) [73404-2300](#) [73413-6080](#) [73415-5721](#) [7405-1521-005](#) [7405-1521-802](#)
[7406-1521-005](#) [804S01D04M040](#) [8145-1521-002](#) [81590](#)