

4

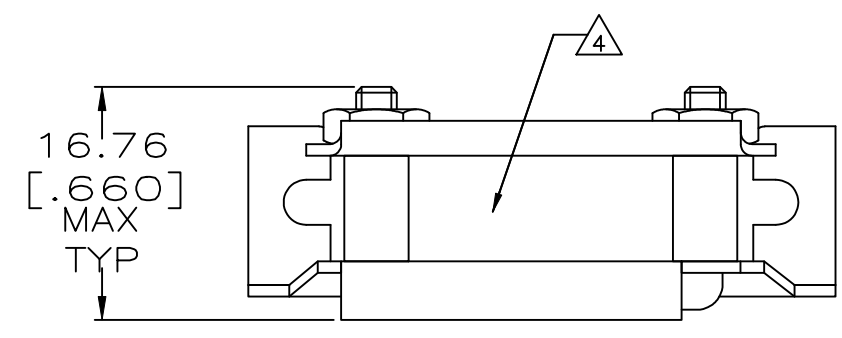
3

2

1

THIS DRAWING IS UNPUBLISHED. RELEASED FOR PUBLICATION
 © COPYRIGHT - TE Connectivity Ltd. ALL RIGHTS RESERVED.

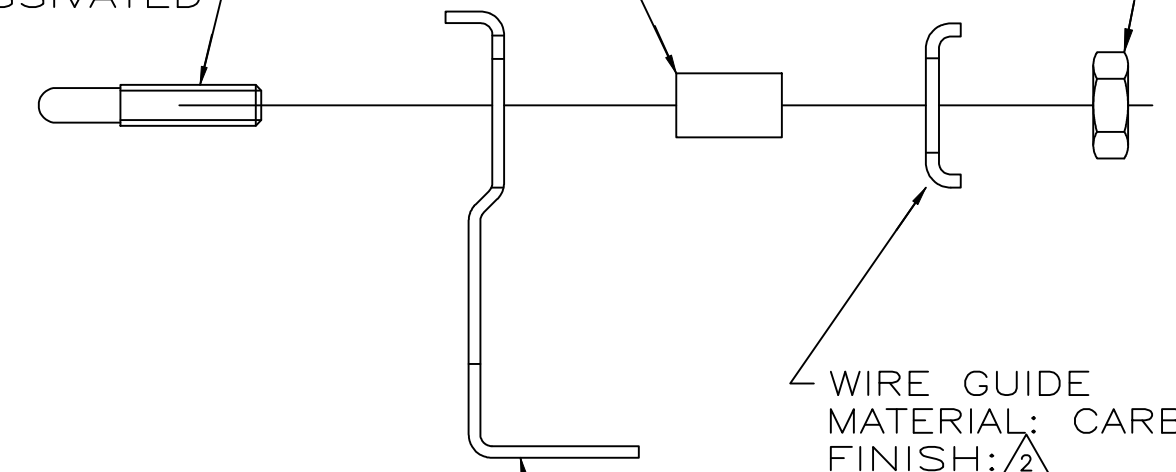
REVISIONS				
P	LTR	DESCRIPTION	DATE	APVD
G		REVISED PER ECO-08-031035	15DEC08	HMR GS
H		REVISED PER ECO-18-017239	02NOV2018	RS MZ



PROTECTIVE SLEEVE
 MATERIAL: POLYVINYL CHLORIDE
 COLOR: BLACK
 2 EA

HEX NUT, 4-40 UNC
 MATERIAL: CARBON STEEL
 FINISH: 3
 2 EA

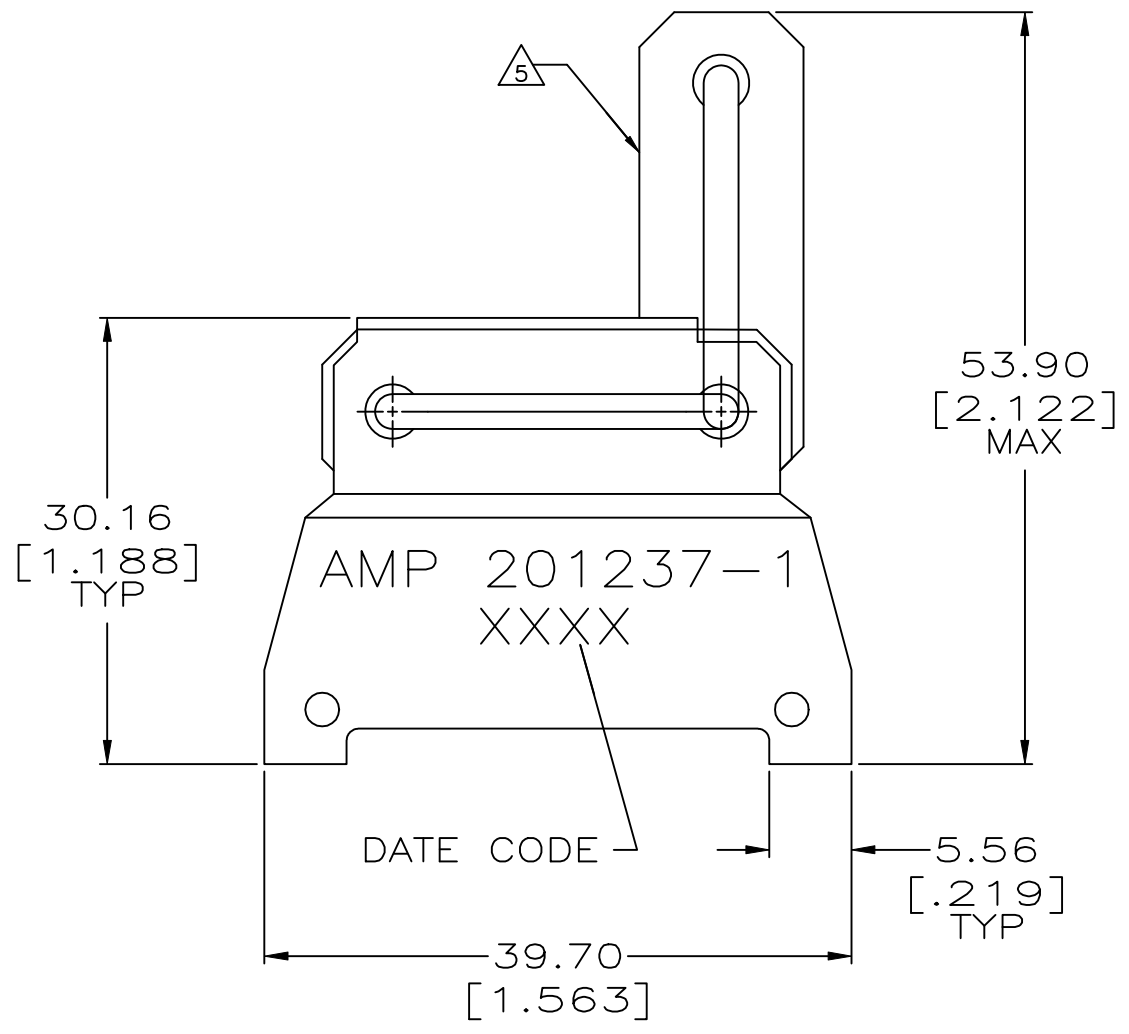
U BOLT
 MATERIAL: 1
 FINISH: PASSIVATED



WIRE GUIDE
 MATERIAL: CARBON STEEL
 FINISH: 2

BRACKET
 MATERIAL: STAINLESS STEEL

- 1 STAINLESS STEEL PER QQ-S-763.
- 2 5.08um[.000200] MIN NICKEL.
- 3 ZINC PER ASTM-B-633.
- 4 161.29 SQ mm[.250 SQ IN] MAX CLAMP AREA.
- 5 ALTERNATE POSITION OF CABLE CLAMP FOR 90° CABLE OUTLET.



ASSEMBLED VIEW

	201237-2
OBSOLETE	201237-1
	PART NUMBER

THIS DRAWING IS A CONTROLLED DOCUMENT.		DWN C. REIFSNYDER 18 APR 96	TE Connectivity Ltd.	
		CHK R. STONE 24 MAY 96		
DIMENSIONS: mm [INCHES]		APVD G. STEINHAUER 21 JUN 96	NAME CLAMP KIT, UNASSEMBLED, STRAIN RELIEF, 20 PLACE, M SERIES	
		PRODUCT SPEC -	APPLICATION SPEC -	
TOLERANCES UNLESS OTHERWISE SPECIFIED:		WEIGHT -	SIZE A3	CAGE CODE 00779
0 PLC ± - 1 PLC ± - 2 PLC ± 0.38[.015] 3 PLC ± - 4 PLC ± - ANGLES ± -		CUSTOMER DRAWING	DRAWING NO C=201237	RESTRICTED TO -
MATERIAL SEE CALLOUTS			SCALE 2:1	SHEET 1 of 1
			REV H	

X-ON Electronics

Largest Supplier of Electrical and Electronic Components

Click to view similar products for [Rack & Panel Connectors](#) category:

Click to view products by [TE Connectivity](#) manufacturer:

Other Similar products are found below :

[00170420102](#) [00171420202](#) [00171440002](#) [008026165000265](#) [02-014-013-5200-000](#) [613467-000](#) [CTJ112E01E-513](#) [CTJ116E03A-513](#)
[M81714/63-22S L/C](#) [M81714/65-12-1](#) [66020-2](#) [CW8958-000](#) [699886-000](#) [D250-50632](#) [70.400.3240.0](#) [70.955.2453.3](#) [733753-000](#) [F22831-000](#) [780-522-DPX34RG8-02](#) [MMA25-0341D1](#) [8660-501](#) [87.060.0053.0](#) [900709N001](#) [QRP4-12P-C\(01\)](#) [QR/P6-6S-C\(01\)](#) [1218600-1](#) [D-659-0061](#) [DMC-MD 24 C-T](#) [1-445717-6](#) [1484398-2](#) [1484399-2](#) [1484469-2](#) [MR-34MG](#) [1604997-2](#) [1663130-1](#) [1663767-7](#) [1663767-8](#) [MTC100-BF1-P31CS015](#) [MTC100-KT2-0083](#) [MTC100-KT2-0123-003](#) [MTC100-YA1-005](#) [MTCB1X-105-XXX](#) [MTCQKT1R2PGCA](#) [MTCR-103-04S](#) [MTCX1X-100-100CS025](#) [1738331-1](#) [1757667-1](#) [1883433-1](#) [1996636-1](#) [201784-4](#)