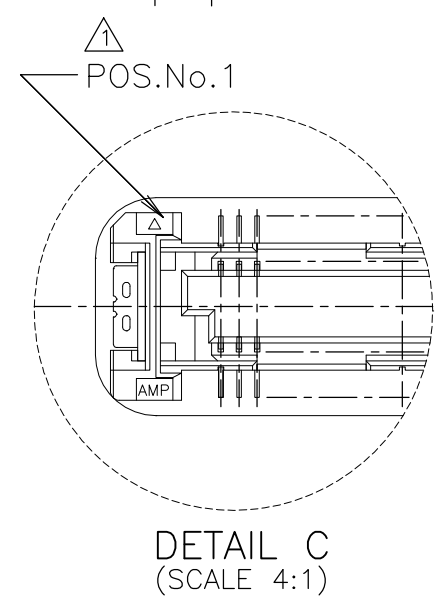
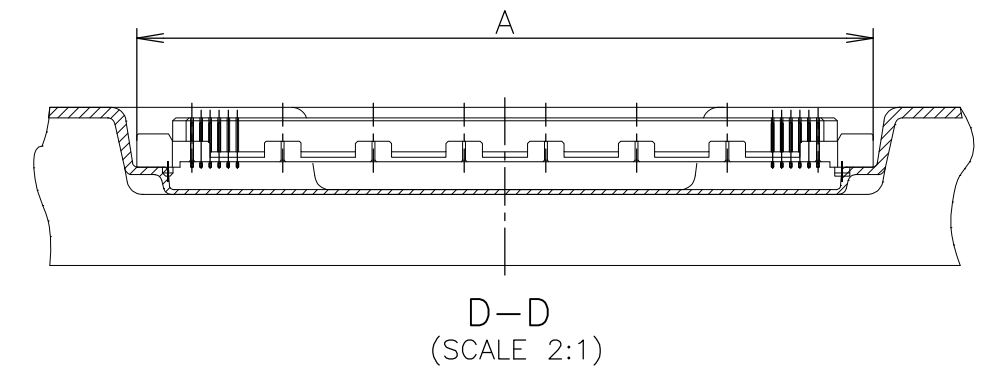
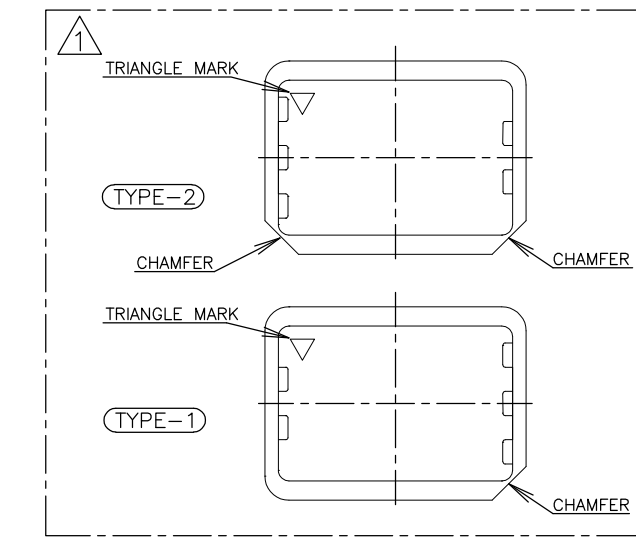
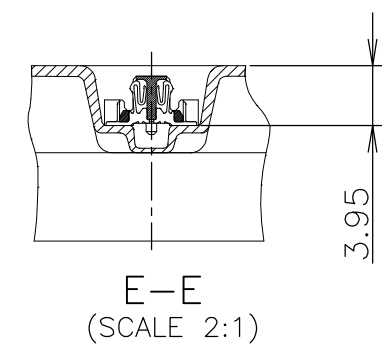
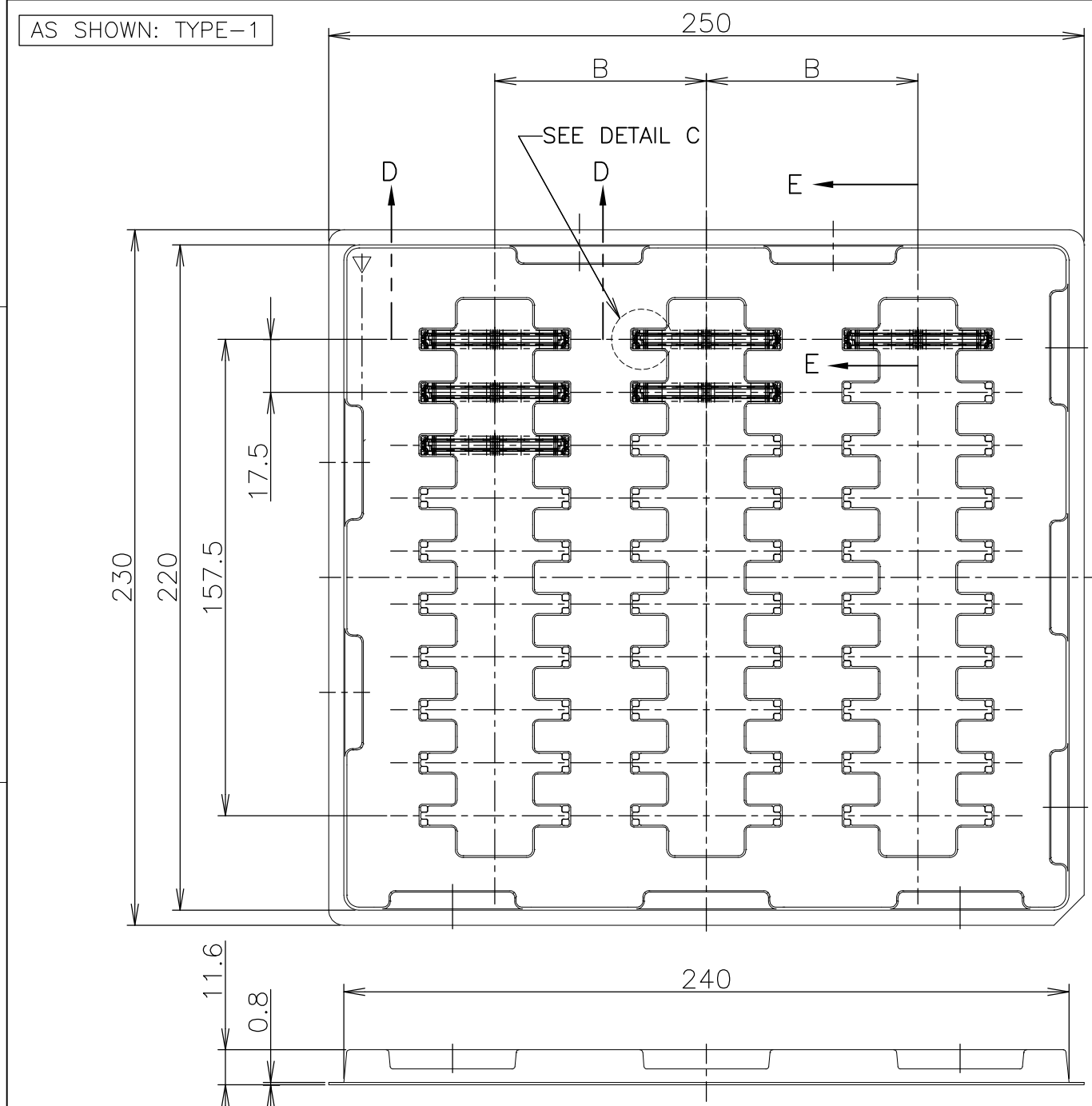


THIS DRAWING IS UNPUBLISHED. RELEASED FOR PUBLICATION MAY, 1995.  
 © COPYRIGHT 1995 BY TYCO ELECTRONICS CORPORATION. ALL RIGHTS RESERVED.

LOC		DIST		REVISIONS			DATE	DWN	APVD
P	LTR	DESCRIPTION							
J		B	REVISED			11JUN07	Y.S	Y.N	



▲ TRAY TYPE-1 AND TYPE-2 MUST BE  
 PILED UP BY TURNS.  
 (REFER TO PACKING SPECIFICATIONS)

5	50	43	21.7	50	2013012-3
ROW	QTY	B	A	POS.	PART NO.

THIS DRAWING IS A CONTROLLED DOCUMENT.		DWN	Y.SHINO	8MAY07	Tyco Electronics AMP K.K. Kawasaki,Japan	
DIMENSIONS: MM		CHK	Y.NAKAZAWA	8MAY07		
TOLERANCES UNLESS OTHERWISE SPECIFIED:		APVD	T.FUTATSUGI	8MAY07	NAME	
0 PLC ± -		PRODUCT SPEC		TRAY ASSY		
1 PLC ± -		108-60047		FH 0.6BTB CONNECTOR		
2 PLC ± -		APPLICATION SPEC		REC 4H Au PLATED 0.00076MM		
3 PLC ± -		114-5255		SIZE	CAGE CODE	DRAWING NO
4 PLC ± -		WEIGHT		A3	00779	C-2013012
ANGLES ± -		CUSTOMER DRAWING		RESTRICTED TO		
FINISH ± -		SCALE 1:2		SHEET 1 OF 2		REV B
GENERAL TOLERANCE		SCALE 1:2		SHEET 1 OF 2		REV B
10 ≥ * : ± 0.2						
30 ≥ * > 10 : ± 0.25						
100 ≥ * > 30 : ± 0.3						
ANGLES : ± 3°						

4

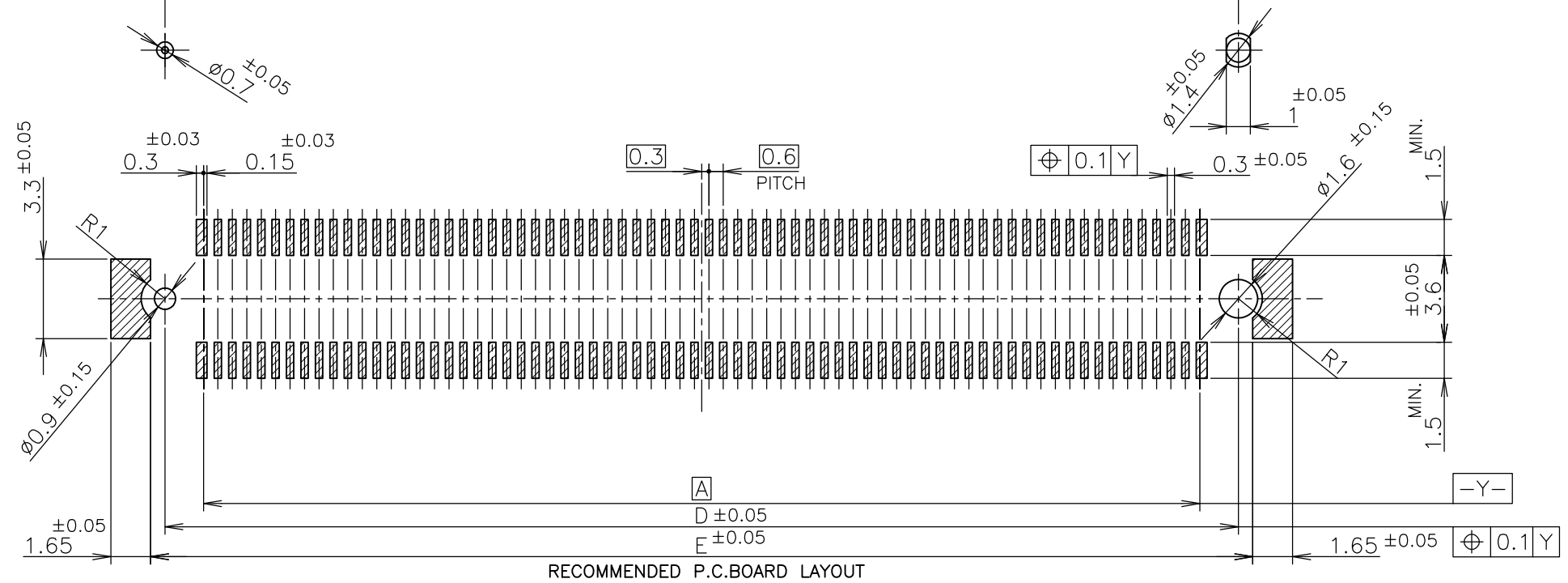
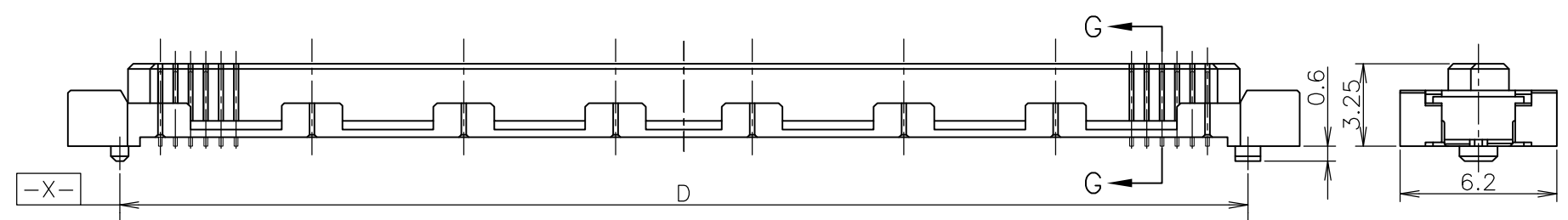
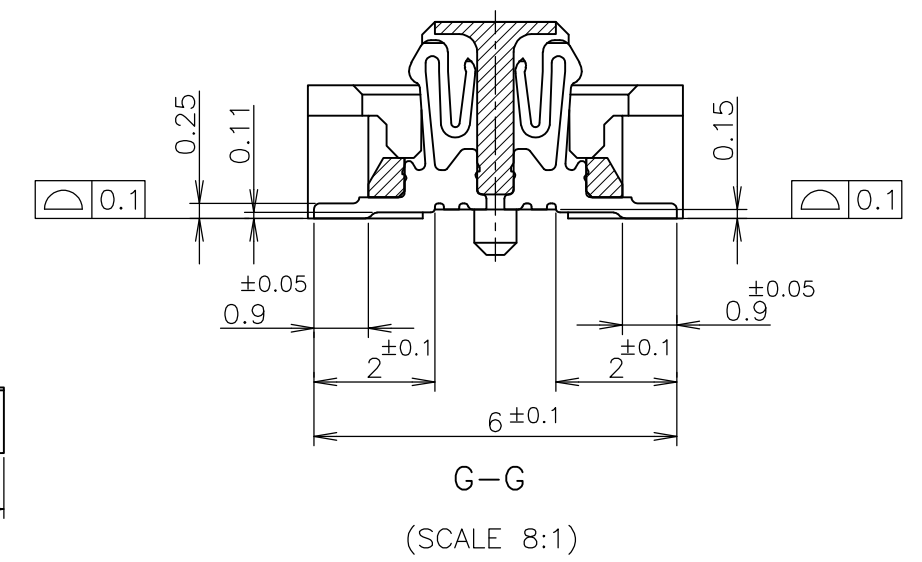
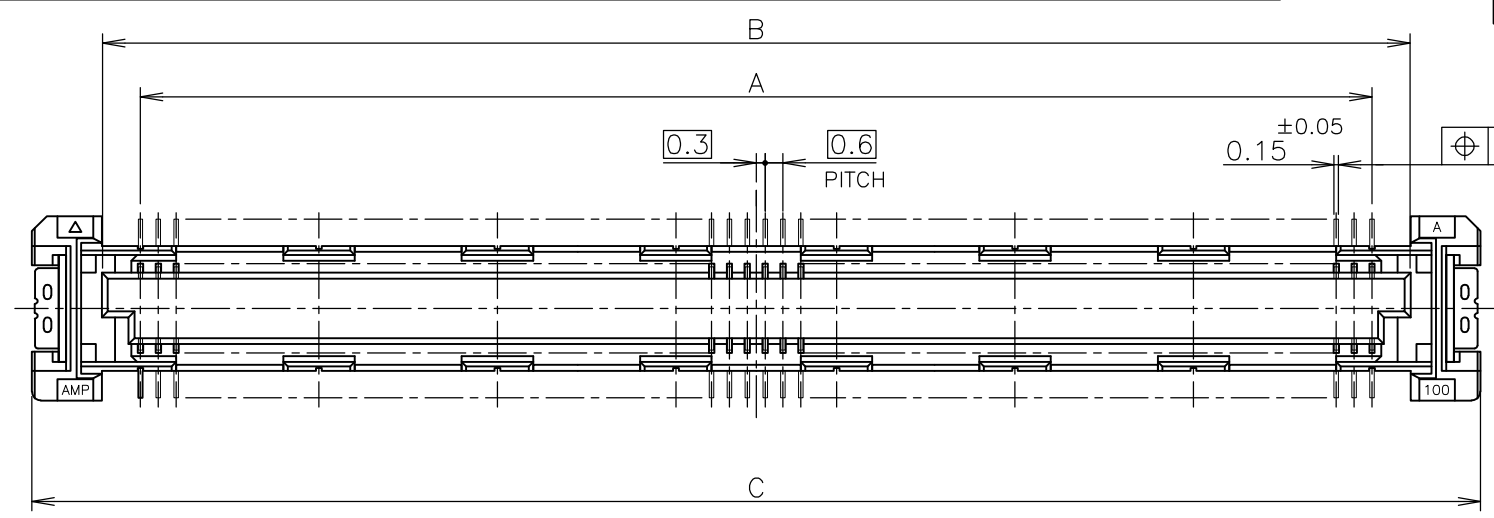
3

2

1

THIS DRAWING IS UNPUBLISHED. RELEASED FOR PUBLICATION MAY, 1995.  
 © COPYRIGHT 1995 BY TYCO ELECTRONICS CORPORATION. ALL RIGHTS RESERVED.

LOC	DIST	REVISIONS					
J		P	LTR	DESCRIPTION	DATE	DWN	APVD
		-	-	SEE SHEET 1	-	-	-



RECOMMENDED P.C.BOARD LAYOUT

- ② MATERIAL ; HOUSING : HIGH TEMP THERMO PLASTIC  
UL94V-0
- CONTACT : COPPER ALLOY
- SOLDER PEG : COPPER ALLOY
- ③ FINISH ; CONTACT
- UNDER PL Ni 0.0013mm MIN ALL OVER.
- CONTACT AREA: 0.00076 MIN Au PL.
- SOLDERING AREA: 0.00005 MIN Au PL.
- SOLDER PEG
- UNDER PL Ni 0.0005mm MIN ALL OVER.
- ALL OVER : 0.003mm MIN Sn-Pb PL.
- 4. SEE PACKING ASSY DWG AS FINAL ASSY PART NUMBER.

THIS DRAWING IS A CONTROLLED DOCUMENT.		DWN	Tyco Electronics		Tyco Electronics AMP K.K.	
DIMENSIONS: MM		CHK	NAME		Kawasaki.Japan	
TOLERANCES UNLESS OTHERWISE SPECIFIED:		APVD	PRODUCT SPEC		TRAY ASSY	
0 PLC ± 0.3		PRODUCT SPEC	APPLICATION SPEC		FH 0.6BTB CONNECTOR	
1 PLC ± 0.3		APPLICATION SPEC	WEIGHT		REC 4H Au PLATED 0.00076MM	
2 PLC ± 0.3		WEIGHT	SIZE	CAGE CODE	DRAWING NO	RESTRICTED TO
3 PLC ± 0.3			A3	00779	G-2013012	
4 PLC ± 0.3			CUSTOMER DRAWING		SCALE	SHEET
ANGLES ± 3'					4:1	2 OF 2
FINISH					REV	B
②	③					

18.8	17.6	21.7	17	14.4	50
E	D	C	B	A	POS

## X-ON Electronics

Largest Supplier of Electrical and Electronic Components

*Click to view similar products for [Board to Board & Mezzanine Connectors](#) category:*

*Click to view products by [TE Connectivity](#) manufacturer:*

Other Similar products are found below :

[589158040000018](#) [FCN-230C068-11](#) [FCN-268F012-G/BD](#) [FCN-268F036-G/BD](#) [FCN-268M012-G/0D](#) [FCN-268M024-G/1D](#) [FCN-723J004/1](#) [MIS-048-01-F-D-DP-K](#) [832-10-034-10-001000](#) [FX4C-80S-1.27DSA](#) [FCN-214Q030-G/0](#) [FCN-234P048-G/0](#) [FCN-235D050-G/C](#) [210-93-314-41-105000](#) [2-22603-0](#) [MDF7-40DP-2.54DSA\(55\)](#) [AXG720047](#) [5031084030](#) [MIT-114-03-F-D-K](#) [55323-1519](#) [DF33-2P-3.3DSA\(24\)](#) [YFT-20-05-H-03-SB-K](#) [503308-3040](#) [026-6203-PDB](#) [027-6203-PDB](#) [069159702701000](#) [10123981-102LF](#) [101A10019X](#) [55650-0588-C](#) [68684-306](#) [75140-7012](#) [589159005003045](#) [194261-1](#) [FCN-268F024-G0D](#) [10124054-515LF](#) [68685-603](#) [8-1616154-3](#) [MIS-019-01-F-D](#) [589159005002045](#) [541371078](#) [IL-WX-10PB-HF-B-E1000E](#) [FCN-268M024-G/3D](#) [20021832-06016C1LF](#) [KX15-20KLDL-E1000E](#) [MDF7-16DP-2.54DSA\(55\)](#) [AXE810124](#) [FCN-214J100-G/0](#) [FCN-230C068-E/S](#) [AXE812124](#) [AXE816124](#)