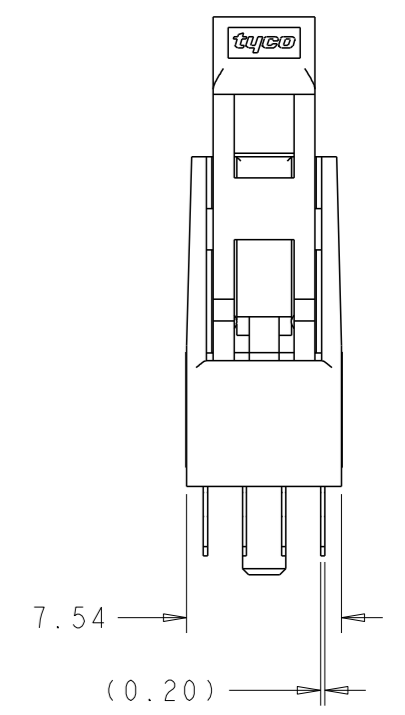
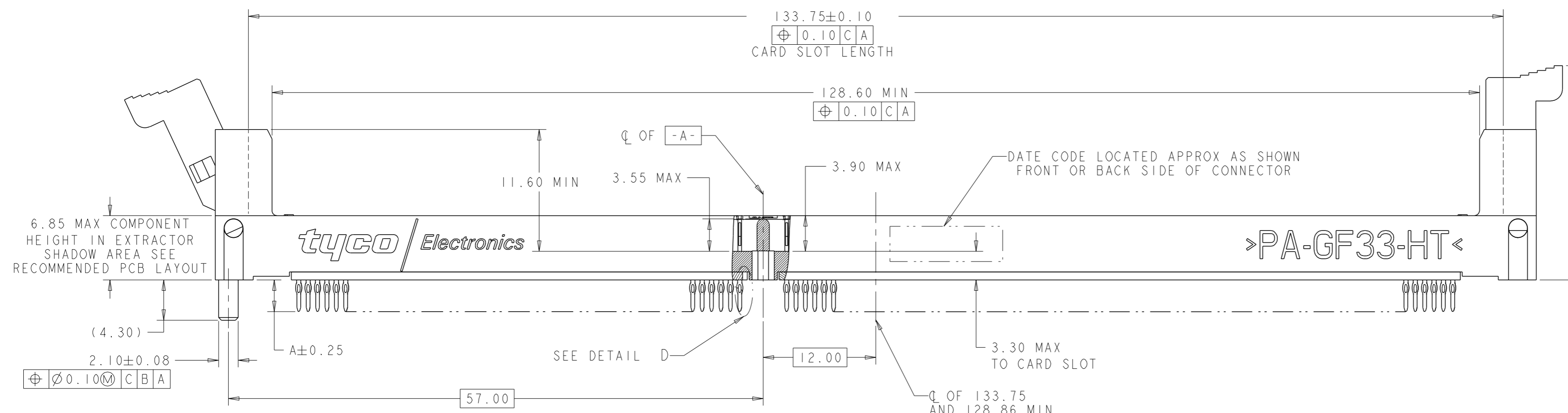
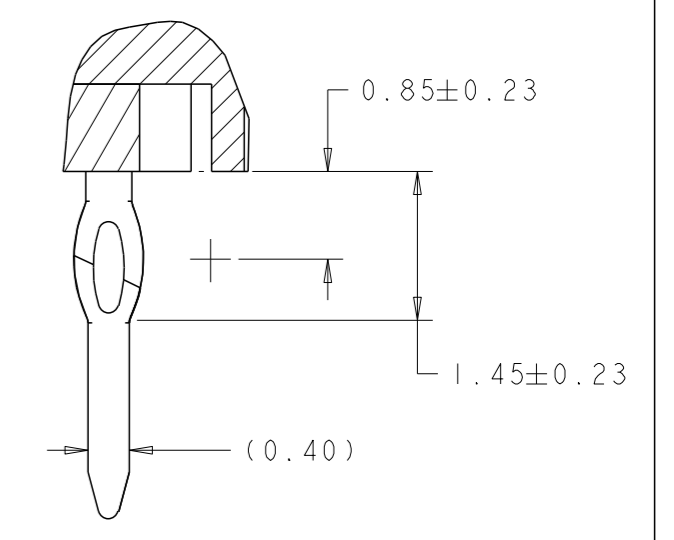
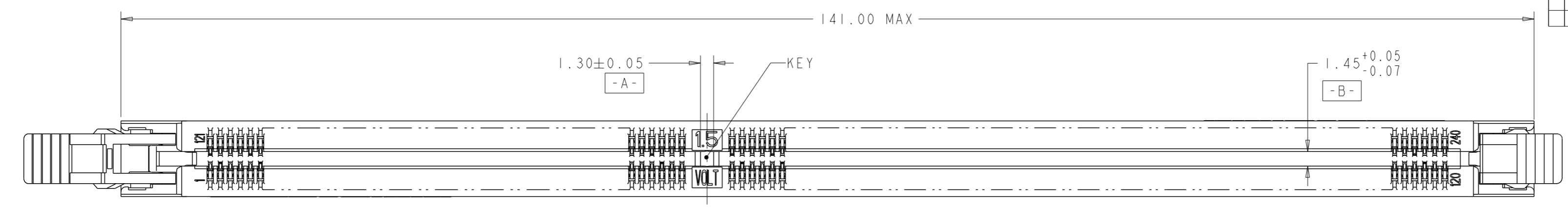
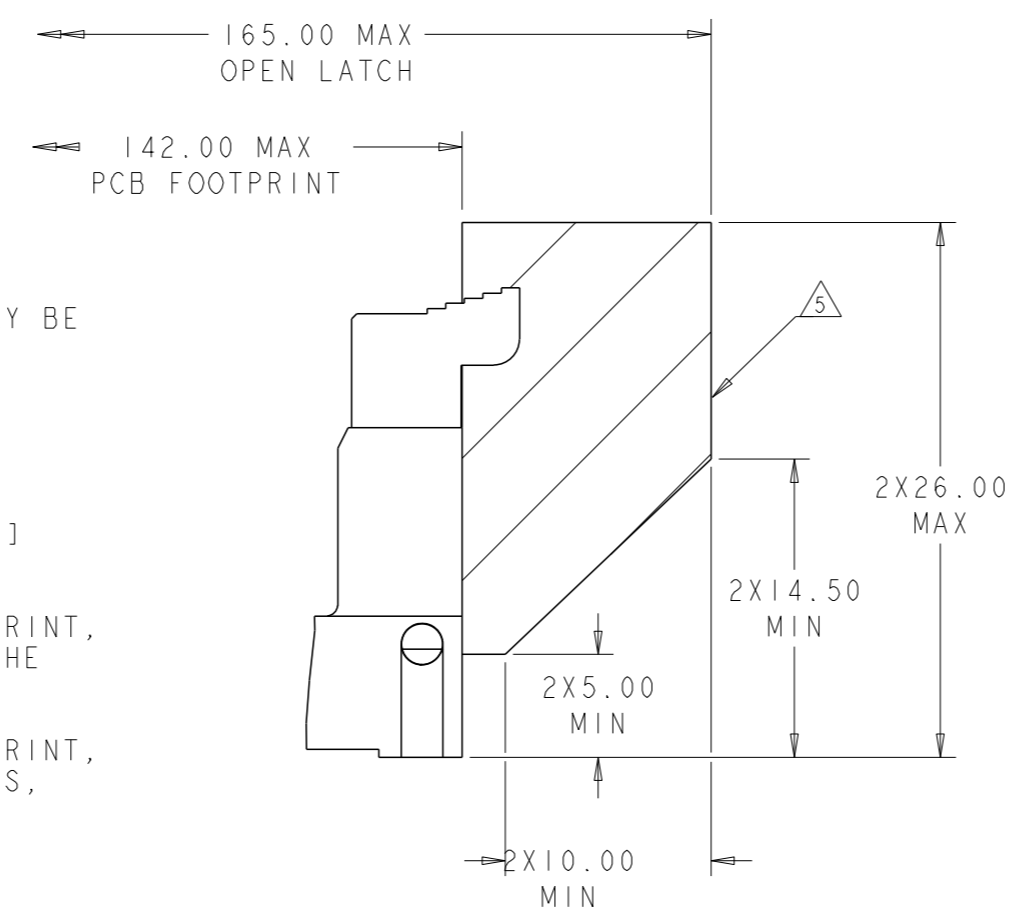


THIS DRAWING IS UNPUBLISHED. RELEASED FOR PUBLICATION 20  
 © COPYRIGHT 20 BY - ALL RIGHTS RESERVED.

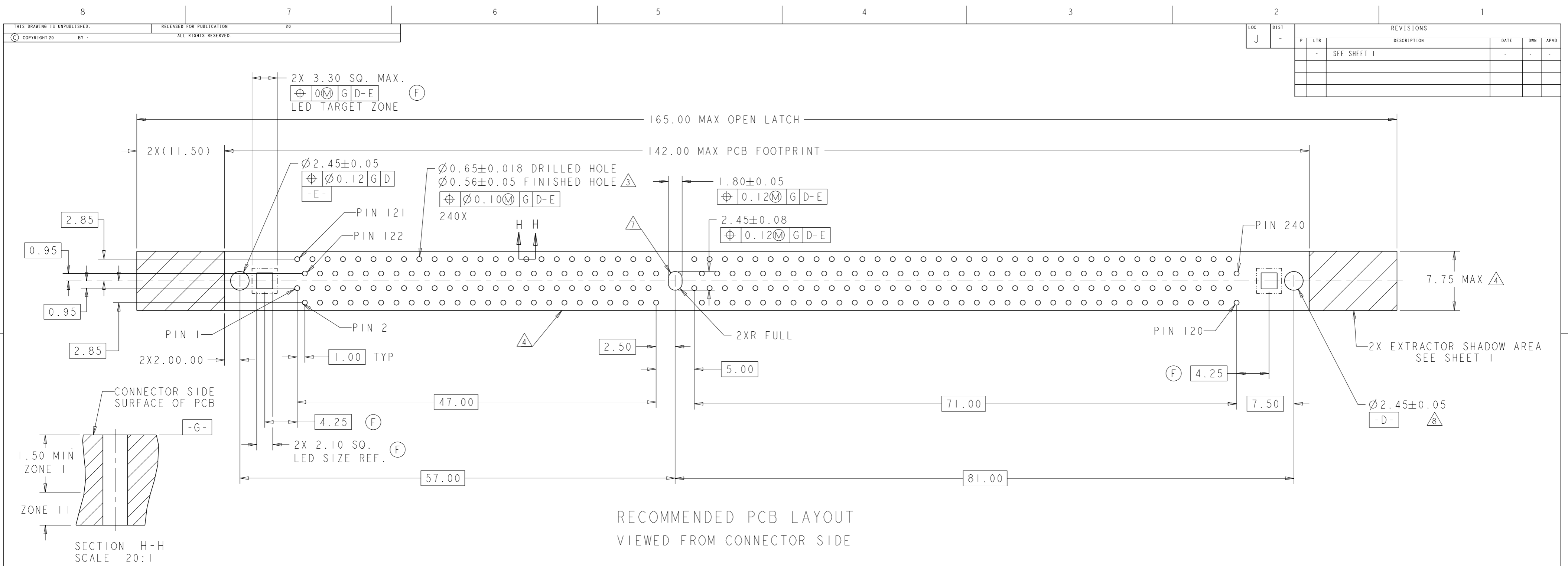
REVISIONS				
P	LYR	DESCRIPTION	DATE	APPD
E	3	REVISED PER ECR-11-013889	7JUL2011	S.W. C.W.
F		REVISED PER ECR-11-018341	5SEP2011	S.W. C.W.



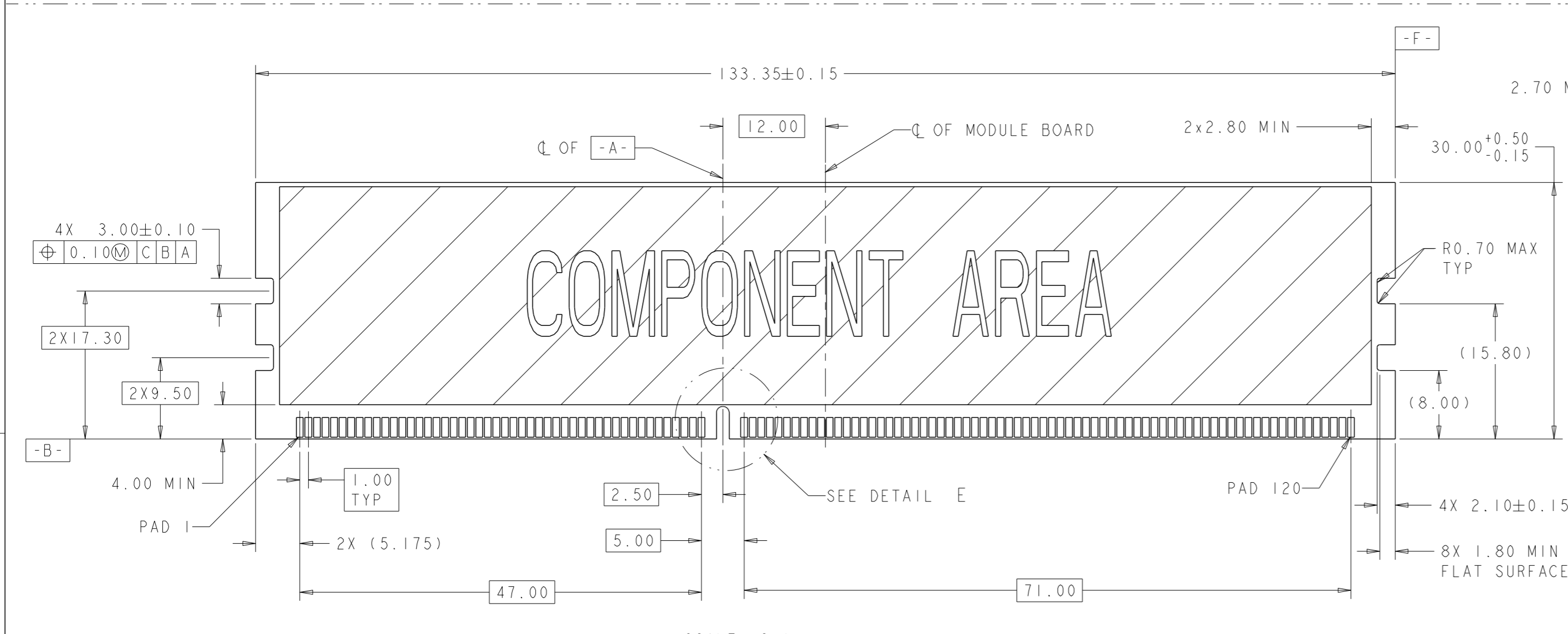
- 1 MATERIALS:  
 HOUSING: HIGH TEMPERATURE, UL94 V-0  
 EXTRACTOR: HIGH TEMPERATURE THERMOPLASTIC  
 SUPPORT PLATE: LCP, UL94 V-0
- 2 INTERFACE FINISH:  
 (1) 0.00076 MIN THK GOLD OVER 0.00127 MIN THK NICKEL  
 (2) 0.00038 MIN THK GOLD OVER 0.00127 MIN THK NICKEL.
- 3 FINISHED HOLE SIZE 0.15 MAX ANNULAR RING.  
 COPPER PLATING: 0.025-0.050  
 TIN-LEAD PLATING: 0.0038-0.0124  
 FOR PTH TIN-LEAD PLATING ONLY, FINISHED HOLE TOLERANCE MAY BE +0.05/-0.058 IN ZONE 1, AND ±0.076 IN ZONE II
- 4 KEEP OUT ZONE.
- 5 KEEP OUT AREA RESERVED FOR SOCKET EXTRACTORS, BOTH ENDS.
- 6 APPROXIMATE SEATING FORCE WILL BE 3781-5338N [850-1200 lb] FOR THE 240 POSITION SOCKET ASSEMBLY.
- 7 HOLE INDICATED IS PART OF THE STANDARD 240 POSITION FOOTPRINT, REQUIRED FOR THE SOLDER TAIL VERSION, MAY BE OMITTED FOR THE PRESS FIT VERSION.
- 8 HOLE INDICATED IS PART OF THE STANDARD 240 POSITION FOOTPRINT, REQUIRED FOR THE SOLDER TAIL AND 2 POSTS PRESS FIT VERSIONS, MAY BE OMITTED FOR 1 POST PRESS FIT VERSION
- 9 COMPLIANT PIN FINISH: 0.00254 MIN THICK MATTE TIN OVER 0.00127 MIN THICK NICKEL.
- 10 COMPLIANT PIN FINISH: 0.00254 MIN THICK TIN-LEAD OVER 0.00127 MIN THICK NICKEL.
- 11. FOR HANDLING PROCESS AT CUSTOMER'S LINE, PAY ATTENTION NOT TO TOUCH EVERY CONTACT TIPS.
- 12 LOWER RESISTANCE TYPE



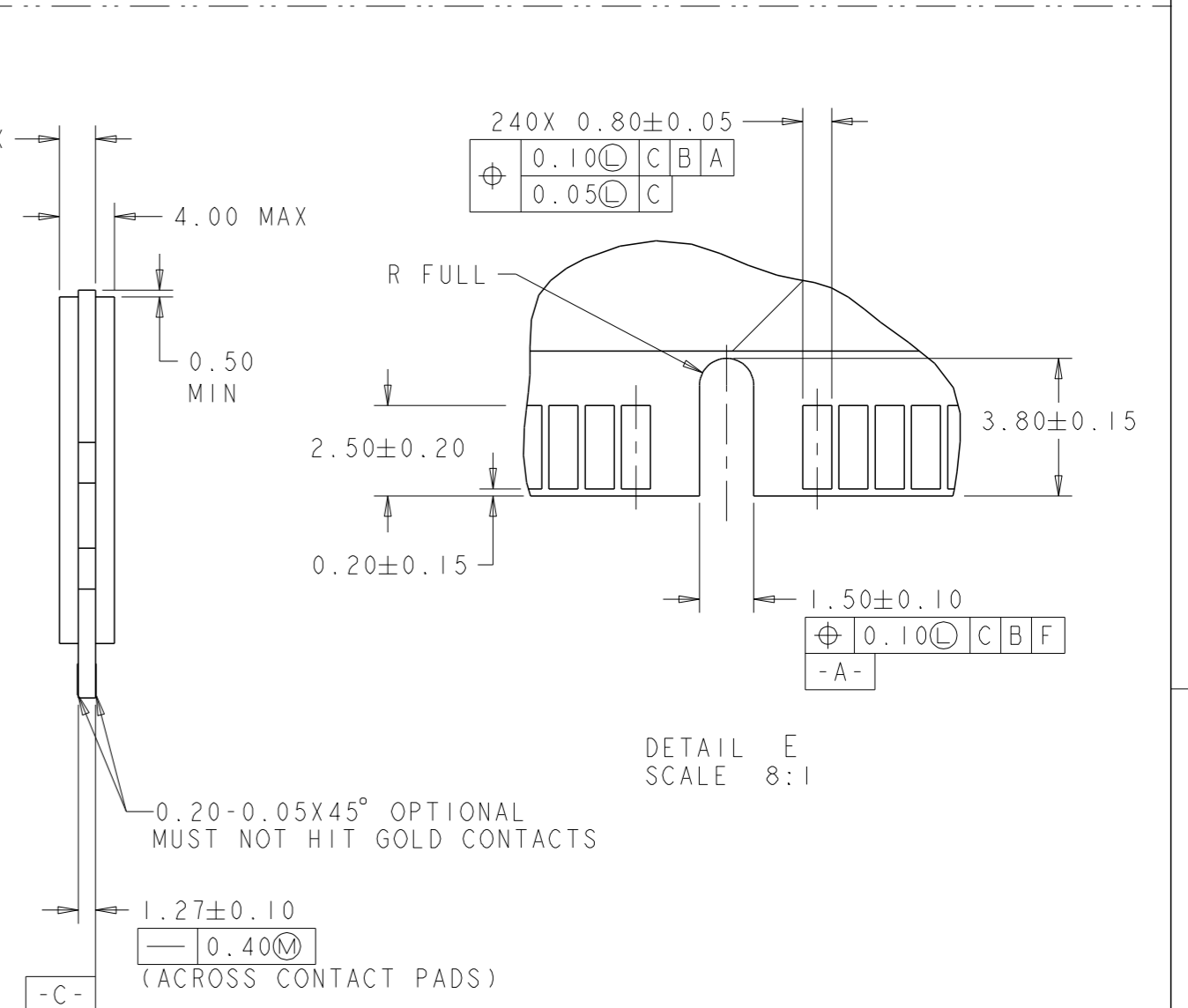
DIM A	COMPLIANT PIN	INTERFACE FINISH	SUPPORT PLATE COLOT	EXTRACTOR COLOR	HOUSING COLOR	DESCRIPTION	PART NUMBER
2.40	9	(2)	BLACK	AMBER	BLACK	1 POST	3-2013266-4
			BLACK	NATURAL	BLACK		3-2013266-3
3.30	9	(1)	BLACK	AMBER	BLACK	1 POST	3-2013266-2
			BLACK	NATURAL	BLACK		3-2013266-1
2.40	9	(2)	BLACK	AMBER	BLACK	1 POST	2-2013266-4
			BLACK	NATURAL	BLACK		2-2013266-3
3.30	9	(1)	BLACK	AMBER	BLACK	1 POST	2-2013266-2
			BLACK	NATURAL	BLACK		2-2013266-1
2.40	9	(2)	BLACK	NATURAL	BLACK	1 POST	1-2013266-7
			BLACK	BLACK	BLACK		1-2013266-6
3.38	10	(1)	NATURAL	NATURAL	NATURAL	1 POST	1-2013266-5
			BLUE	NATURAL	BLUE		1-2013266-4
2.40	9	(2)	BLACK	NATURAL	BLACK	1 POST	1-2013266-3
			NATURAL	NATURAL	NATURAL		1-2013266-2
3.38	10	(1)	BLACK	BLACK	BLACK	1 POST	1-2013266-1
			NATURAL	NATURAL	NATURAL		2013266-7
2.40	9	(2)	BLACK	NATURAL	BLACK	1 POST	2013266-6
			NATURAL	NATURAL	NATURAL		2013266-5
3.38	10	(1)	NATURAL	NATURAL	NATURAL	1 POST	2013266-4
			BLACK	NATURAL	BLACK		2013266-3
2.40	9	(2)	BLACK	NATURAL	BLACK	1 POST	2013266-2
			BLACK	NATURAL	BLACK		2013266-1



RECOMMENDED PCB LAYOUT  
VIEWED FROM CONNECTOR SIDE



RECOMMENDED MODULE LAYOUT  
REFER TO JEDEC MO-269 FOR COMPLETE MODULE DETAILS



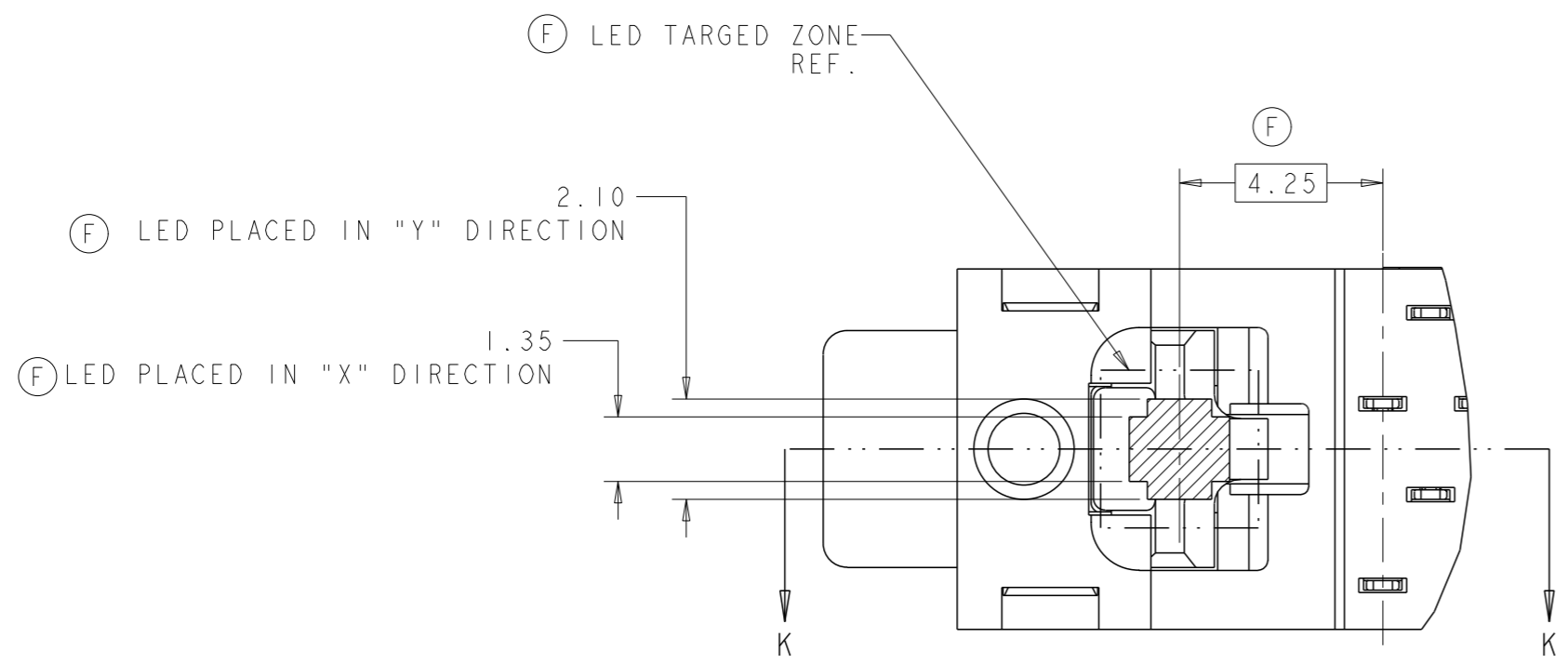
DETAIL E  
SCALE 8:1

LOC		DIST		REVISIONS			
P	LYR	DESCRIPTION	DATE	DNW	APVD		
-	-	SEE SHEET 1	-	-	-	-	-

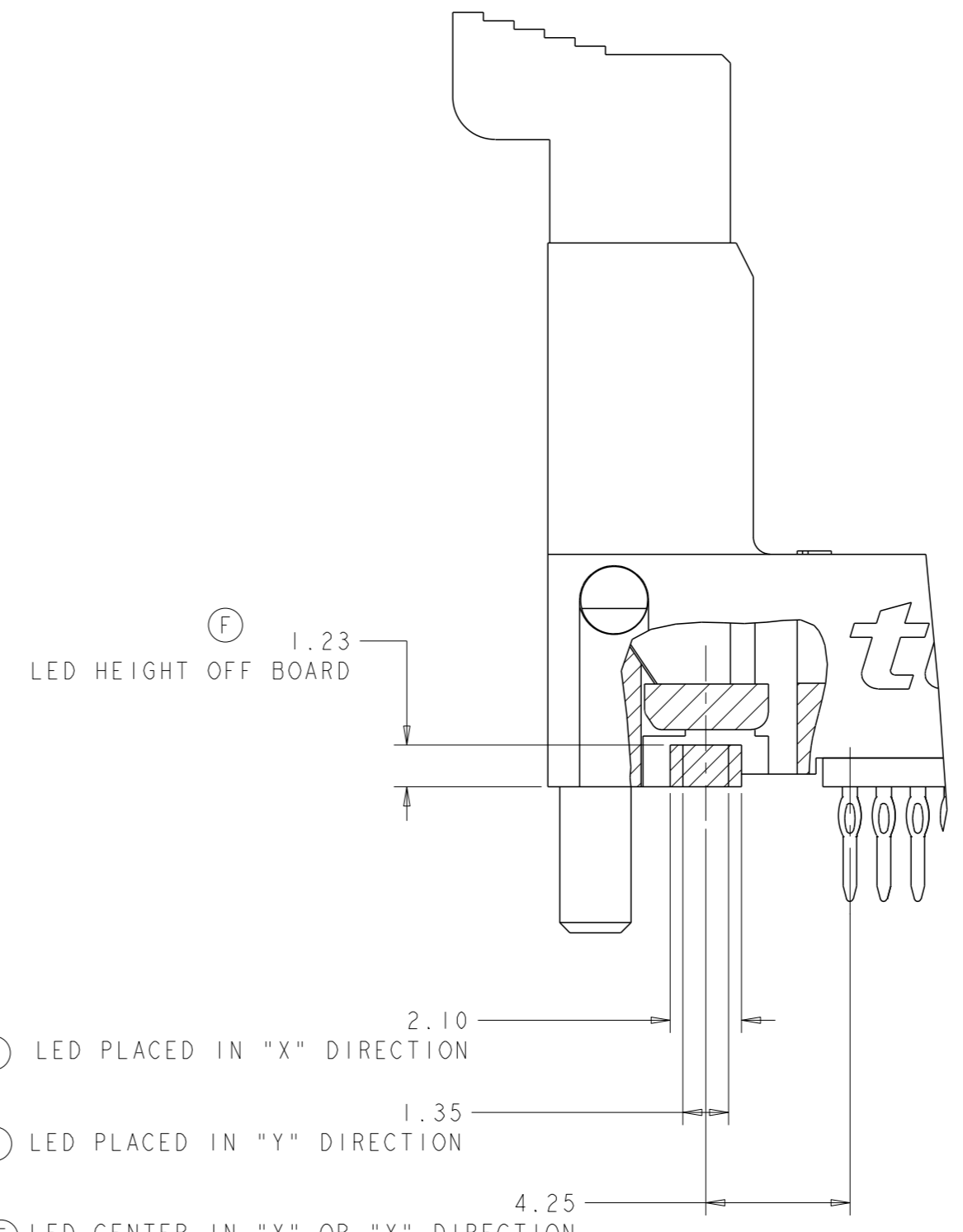
THIS DRAWING IS A CONTROLLED DOCUMENT.		DNW 18-May-2007	STE TE Connectivity	
DIMENSIONS: mm		CHY 18-May-2007	NAME	
TOLERANCES UNLESS OTHERWISE SPECIFIED:		APVD 18-May-2007	SIZE CAGE CODE DRAWING NO	
0 PLC ±	1 PLC ±0.5	PRODUCT SPEC	A 100779 ©=2013266	
2 PLC ±0.13	3 PLC ±0.013	APPLICATION SPEC	RESTRICTED TO	
4 PLC ±0.0001	ANGLES	WEIGHT	SCALE 1:1 SHEET 2 OF 3 REV F	
MATERIAL	FINISH	CUSTOMER DRAWING		

THIS DRAWING IS UNPUBLISHED. RELEASED FOR PUBLICATION 20  
 © COPYRIGHT 20 BY - ALL RIGHTS RESERVED.

LOC		DIST		REVISIONS			
P	LYR	DESCRIPTION	DATE	DRN	APVD		
-	-	SEE SHEET 1	-	-	-	-	-



PARTIAL BOTTOM VIEW  
SCALE 10:1



SECTION K-K  
SCALE 8:1

E3	A2	2.40	10 9 10 9	(1)	BLACK	NATURAL	BLACK	1 POST	3-2013266-8
					NATURAL	NATURAL	NATURAL		3-2013266-7
					BLACK	AMBER	BLACK		3-2013266-6
					BLUE	BLACK	BLUE		3-2013266-5
E3	A2	3.30	10 9 10 9	(1)	BLACK	BLACK	BLACK	1 POST	2-2013266-9
					BLACK	NATURAL	BLACK		2-2013266-8
					NATURAL	NATURAL	NATURAL		2-2013266-7
					BLACK	AMBER	BLACK		2-2013266-6
					BLUE	BLACK	BLUE	2-2013266-5	
DIM A	COMPLIANT PIN	INTERFACE FINISH	SUPPORT PLATE COLOT	EXTRACTOR COLOR	HOUSING COLOR	DESCRIPTION	PART NUMBER		

THIS DRAWING IS A CONTROLLED DOCUMENT. DWN 18-May-2007 SANDERS, YAN  
 CHG 18-May-2007 T. KAWAMAE  
 APVD 18-May-2007 STEVEN YAO

DIMENSIONS: mm TOLERANCES UNLESS OTHERWISE SPECIFIED:  
 0 PLC ±.5  
 1 PLC ±0.5  
 2 PLC ±0.13  
 3 PLC ±0.013  
 4 PLC ±0.001  
 ANGLES °

MATERIAL: FINISH: WEIGHT: CUSTOMER DRAWING

STE TE Connectivity  
 SOCKET ASSEMBLY, VERTICAL DDR3 DIMM, PRESS FIT, 240 POSITIONS

SIZE: A1 CAGE CODE: 00779 DRAWING NO: 2013266 RESTRICTED TO: -  
 SCALE: 1:1 SHEET 3 OF 3 REV F

## X-ON Electronics

Largest Supplier of Electrical and Electronic Components

*Click to view similar products for [DIMM Connectors](#) category:*

*Click to view products by [TE Connectivity](#) manufacturer:*

Other Similar products are found below :

[1-1932649-2](#) [1-1761024-0](#) [296409204002856+](#) [1932180-2](#) [10086891-052TSLF](#) [59355-052FSLF](#) [5390471-1](#) [2309413-3](#) [10033853-052ASLF](#)  
[87782-6003](#) [KIT-SODIMM-1X16GB/01](#) [10129206-0010013LF](#) [2309409-2](#) [0780350001](#) [0780350301](#) [0783150011](#) [0878030012](#)  
[75.963AT.G020C](#) [78.B1GDE.AF1](#) [10078239-11103LF](#) [6-390322-1](#) [2013311-1](#) [2309410-1](#) [10116658-152FSLF](#) [1-1735438-3](#) [1-1735413-1](#)  
[78730-1002](#) [78726-1002](#) [2013310-1](#) [390111-1](#) [1735438-3](#) [78373-0011](#) [2308107-1](#) [2-2308107-1](#) [2309411-1](#) [5-1746530-4](#) [2309408-1](#)  
[2309409-1](#) [151134-0001](#) [296406200001856+](#) [2309407-1](#) [FCN-074J240-G/1D](#) [FCN-074B288-G/2D](#) [2309414-1](#) [10081530-12208LF](#) [151080-0001](#) [78321-0001](#) [78726-1004](#) [87705-1053](#) [19320](#)