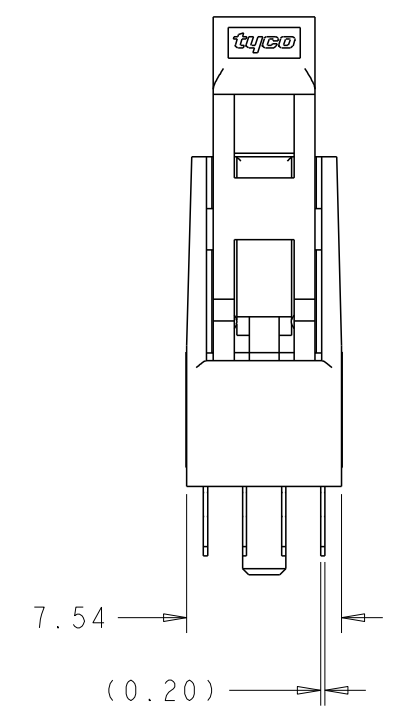
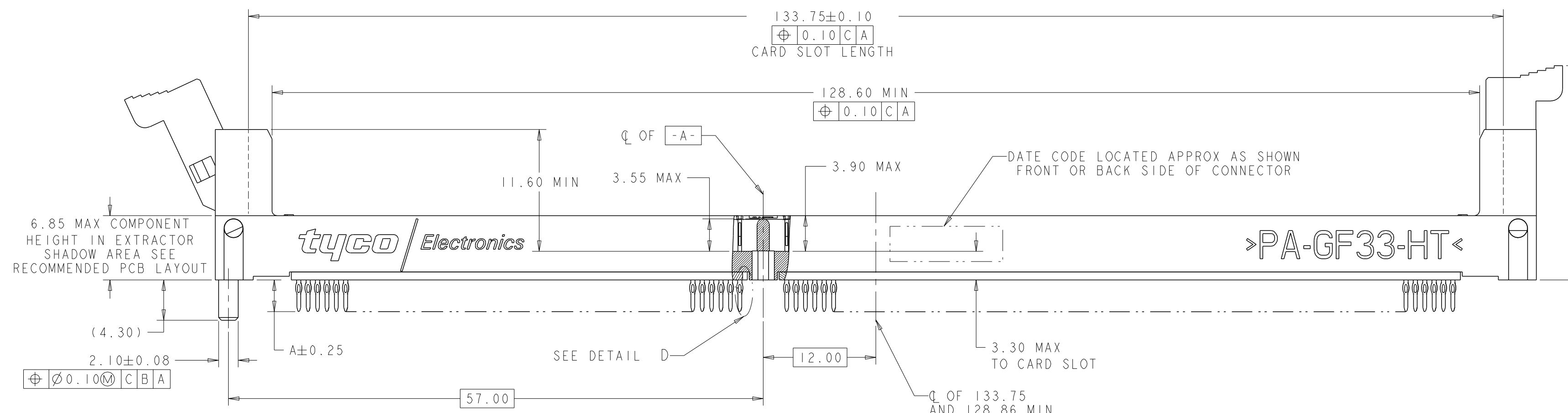
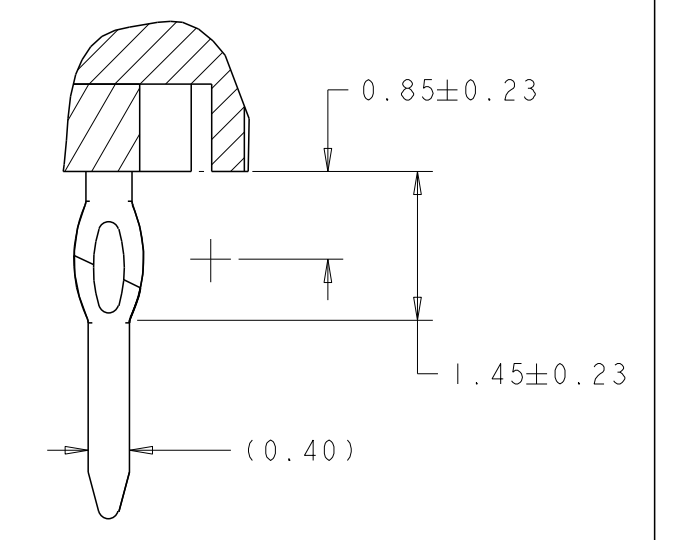
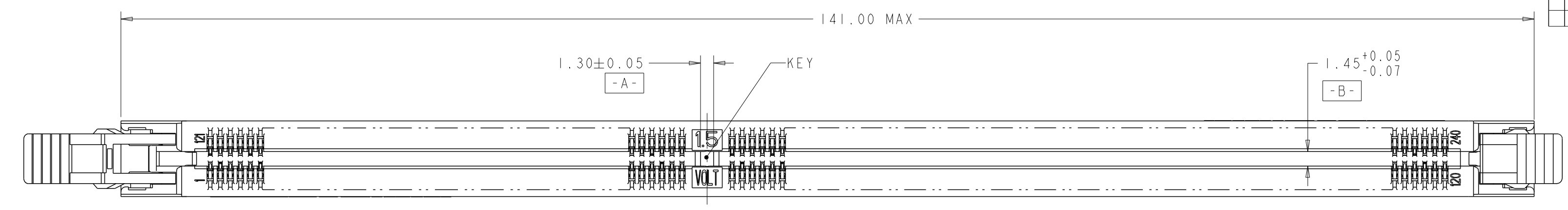
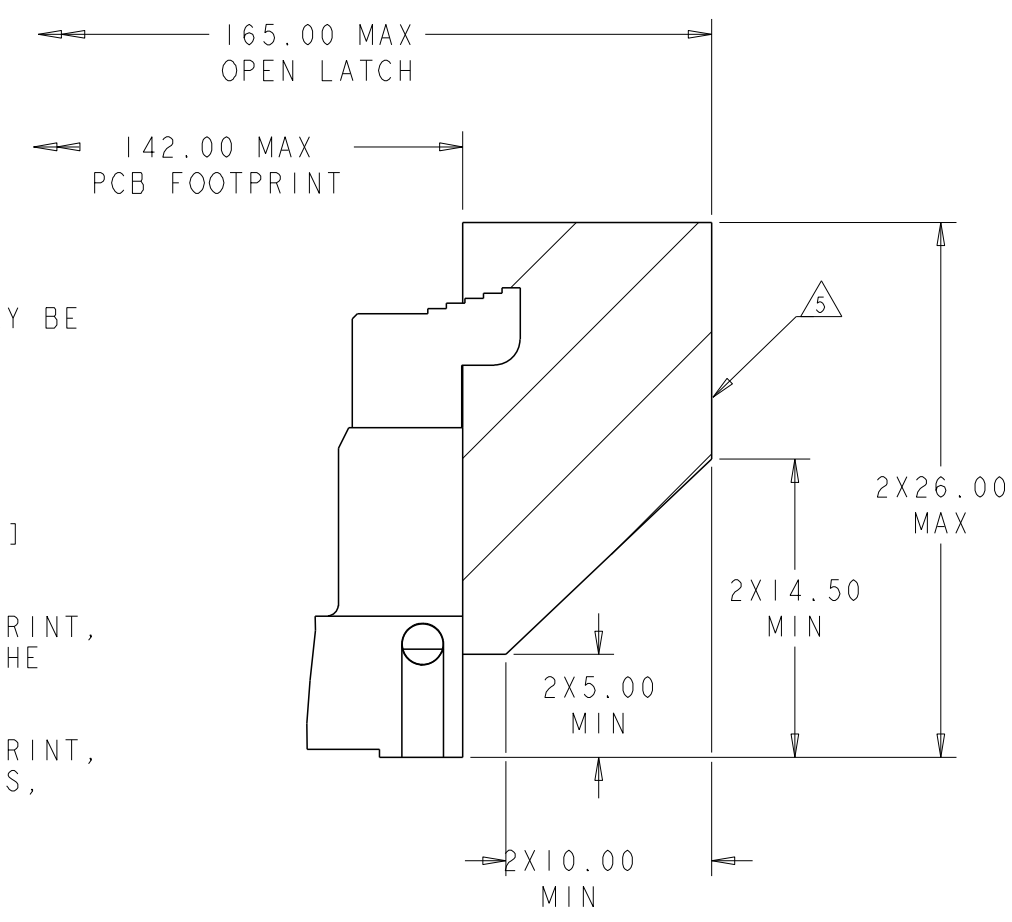


THIS DRAWING IS UNPUBLISHED. RELEASED FOR PUBLICATION 20  
 © COPYRIGHT 20 BY - ALL RIGHTS RESERVED.

REVISONS		DATE	BY	APPD
P	LYR	DESCRIPTION	DATE	BY
E	3	REVISED PER ECR-11-013889	7JUL2011	S.W C.W
F		REVISED PER ECR-11-018341	5SEP2011	S.W C.W



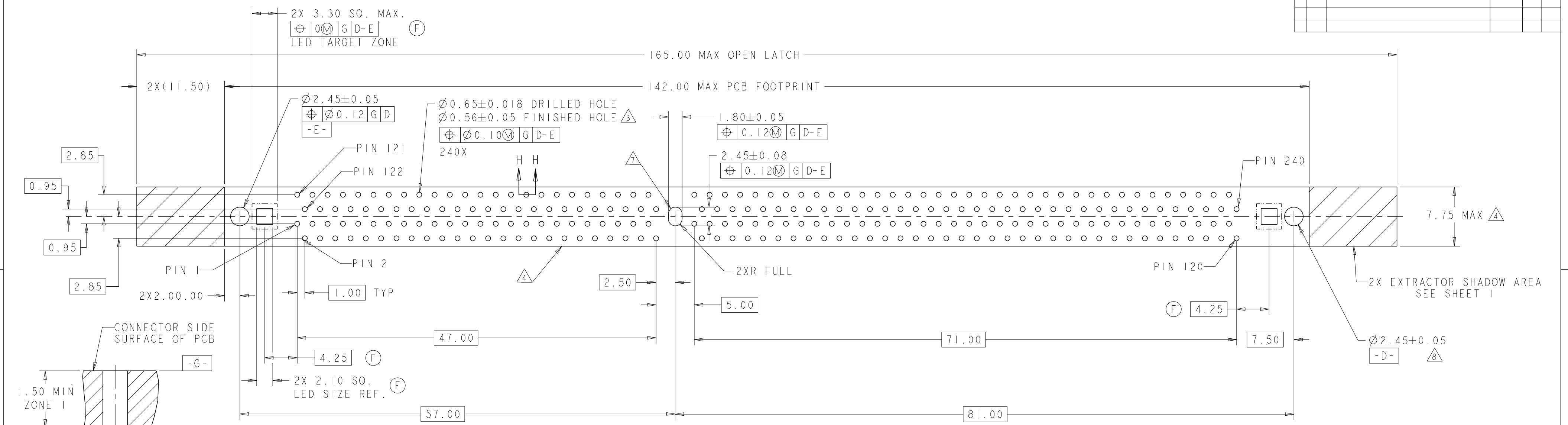
- 1 MATERIALS:  
 HOUSING: HIGH TEMPERATURE, UL94 V-0  
 EXTRACTOR: HIGH TEMPERATURE THERMOPLASTIC  
 SUPPORT PLATE: LCP, UL94 V-0
- 2 INTERFACE FINISH:  
 (1) 0.00076 MIN THK GOLD OVER 0.00127 MIN THK NICKEL  
 (2) 0.00038 MIN THK GOLD OVER 0.00127 MIN THK NICKEL.
- 3 FINISHED HOLE SIZE 0.15 MAX ANNULAR RING.  
 COPPER PLATING: 0.025-0.050  
 TIN-LEAD PLATING: 0.0038-0.0124  
 FOR PTH TIN-LEAD PLATING ONLY, FINISHED HOLE TOLERANCE MAY BE +0.05/-0.058 IN ZONE 1, AND ±0.076 IN ZONE II
- 4 KEEP OUT ZONE.
- 5 KEEP OUT AREA RESERVED FOR SOCKET EXTRACTORS, BOTH ENDS.
- 6 APPROXIMATE SEATING FORCE WILL BE 3781-5338N [850-1200 lb] FOR THE 240 POSITION SOCKET ASSEMBLY.
- 7 HOLE INDICATED IS PART OF THE STANDARD 240 POSITION FOOTPRINT, REQUIRED FOR THE SOLDER TAIL VERSION, MAY BE OMITTED FOR THE PRESS FIT VERSION.
- 8 HOLE INDICATED IS PART OF THE STANDARD 240 POSITION FOOTPRINT, REQUIRED FOR THE SOLDER TAIL AND 2 POSTS PRESS FIT VERSIONS, MAY BE OMITTED FOR 1 POST PRESS FIT VERSION
- 9 COMPLIANT PIN FINISH: 0.00254 MIN THICK MATTE TIN OVER 0.00127 MIN THICK NICKEL.
- 10 COMPLIANT PIN FINISH: 0.00254 MIN THICK TIN-LEAD OVER 0.00127 MIN THICK NICKEL.
- 11. FOR HANDLING PROCESS AT CUSTOMER'S LINE, PAY ATTENTION NOT TO TOUCH EVERY CONTACT TIPS.
- 12 LOWER RESISTANCE TYPE



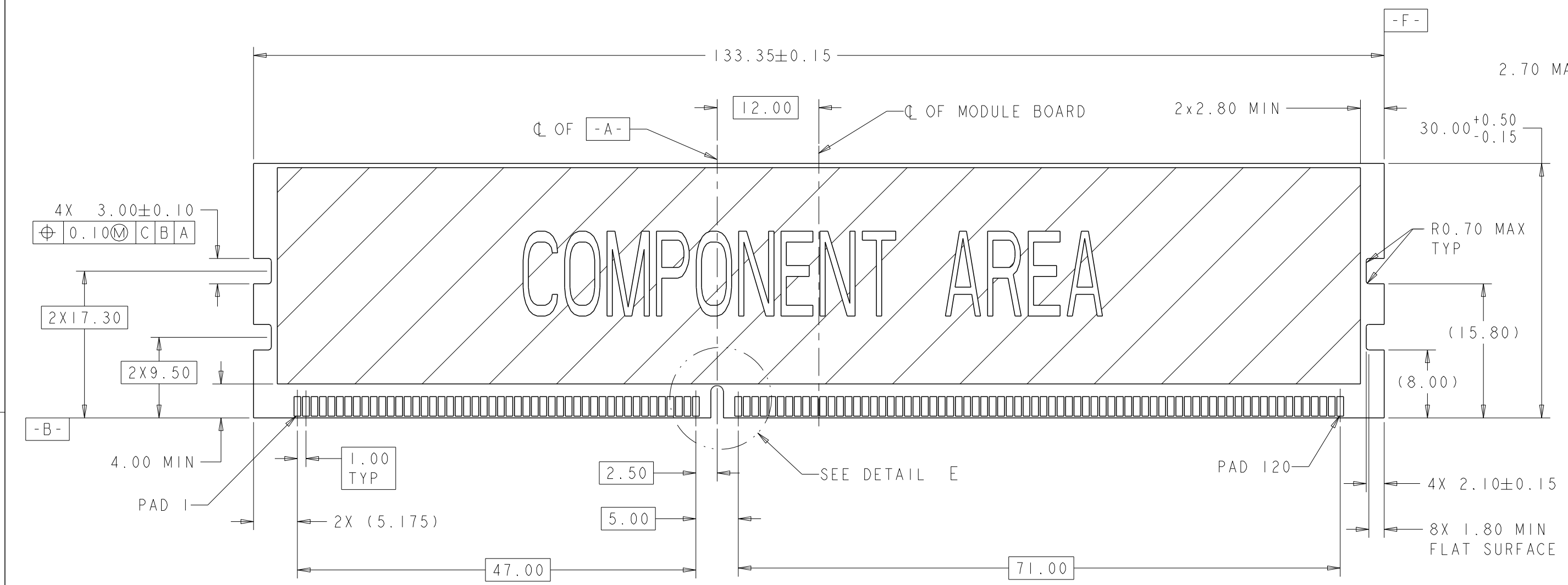
DIM A	COMPLIANT PIN	INTERFACE FINISH	SUPPORT PLATE COLOT	EXTRACTOR COLOR	HOUSING COLOR	DESCRIPTION	PART NUMBER
2.40	9	(2)	BLACK	AMBER	BLACK	1 POST	3-2013266-4
			BLACK	NATURAL	BLACK		3-2013266-3
3.30	9	(1)	BLACK	AMBER	BLACK	1 POST	3-2013266-2
			BLACK	NATURAL	BLACK		3-2013266-1
2.40	9	(2)	BLACK	AMBER	BLACK	1 POST	2-2013266-4
			BLACK	NATURAL	BLACK		2-2013266-3
3.38	10	(1)	BLACK	AMBER	BLACK	1 POST	2-2013266-2
			BLACK	NATURAL	BLACK		2-2013266-1
2.40	9	(2)	BLACK	NATURAL	BLACK	1 POST	1-2013266-7
			BLACK	BLACK	BLACK		1-2013266-6
3.38	10	(1)	NATURAL	NATURAL	NATURAL	1 POST	1-2013266-5
			BLUE	NATURAL	BLUE		1-2013266-4
2.40	9	(2)	NATURAL	NATURAL	NATURAL	1 POST	1-2013266-3
			NATURAL	NATURAL	NATURAL		1-2013266-2
3.38	10	(1)	BLACK	BLACK	BLACK	1 POST	2013266-7
			NATURAL	NATURAL	NATURAL		2013266-6
2.40	9	(2)	BLACK	NATURAL	BLACK	1 POST	2013266-5
			BLACK	NATURAL	BLACK		2013266-4
3.38	10	(1)	NATURAL	NATURAL	NATURAL	1 POST	2013266-3
			BLACK	NATURAL	BLACK		2013266-2
2.40	9	(2)	BLACK	NATURAL	BLACK	1 POST	2013266-1
			BLACK	NATURAL	BLACK		2013266-1

THIS DRAWING IS UNPUBLISHED. RELEASED FOR PUBLICATION 20  
 ALL RIGHTS RESERVED.

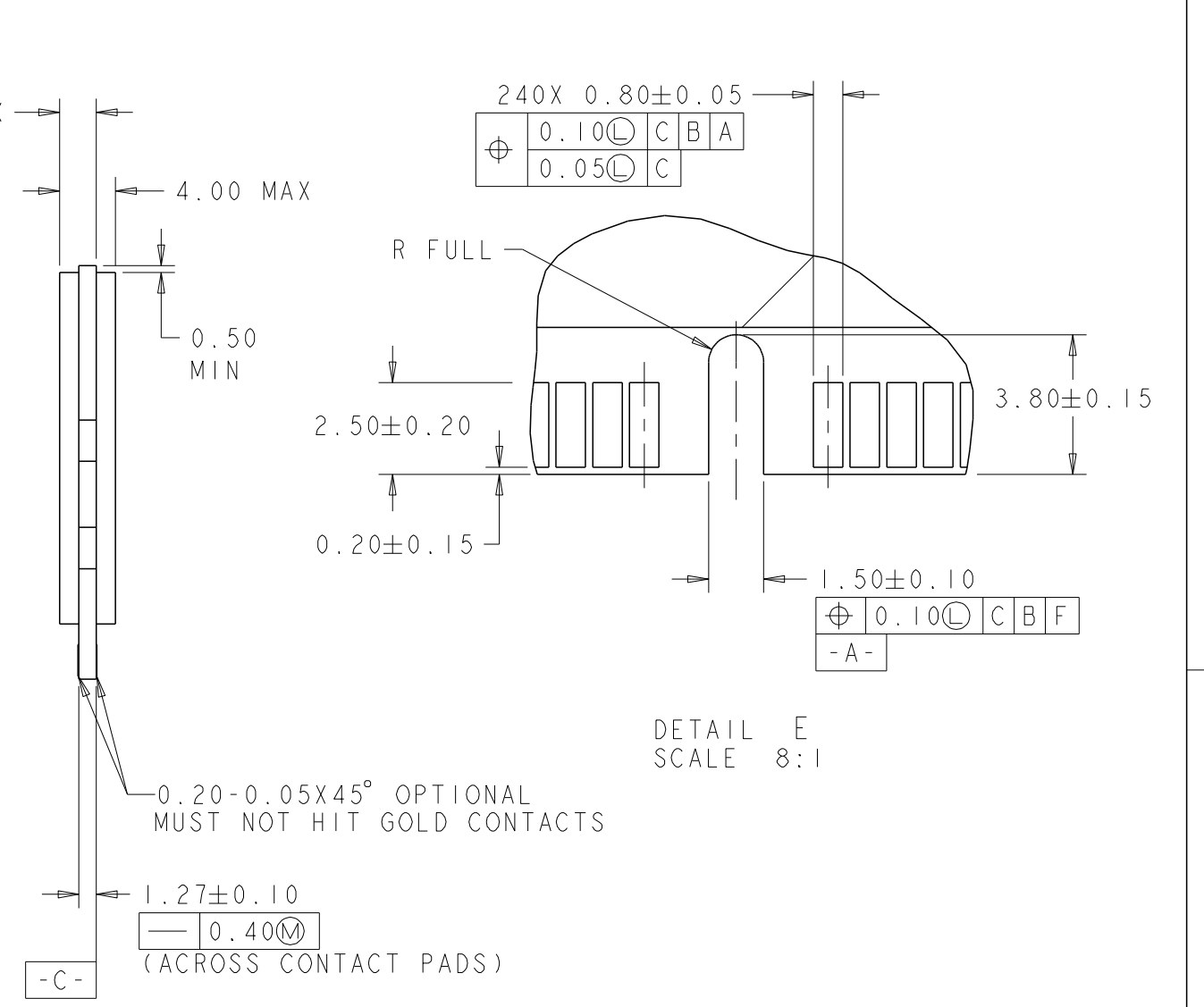
LOC	DIST	REV	DESCRIPTION	DATE	BY	APPV
J	-	-	SEE SHEET 1	-	-	-



RECOMMENDED PCB LAYOUT  
 VIEWED FROM CONNECTOR SIDE



SCALE 3:1  
 RECOMMENDED MODULE LAYOUT  
 REFER TO JEDEC MO-269 FOR COMPLETE MODULE DETAILS

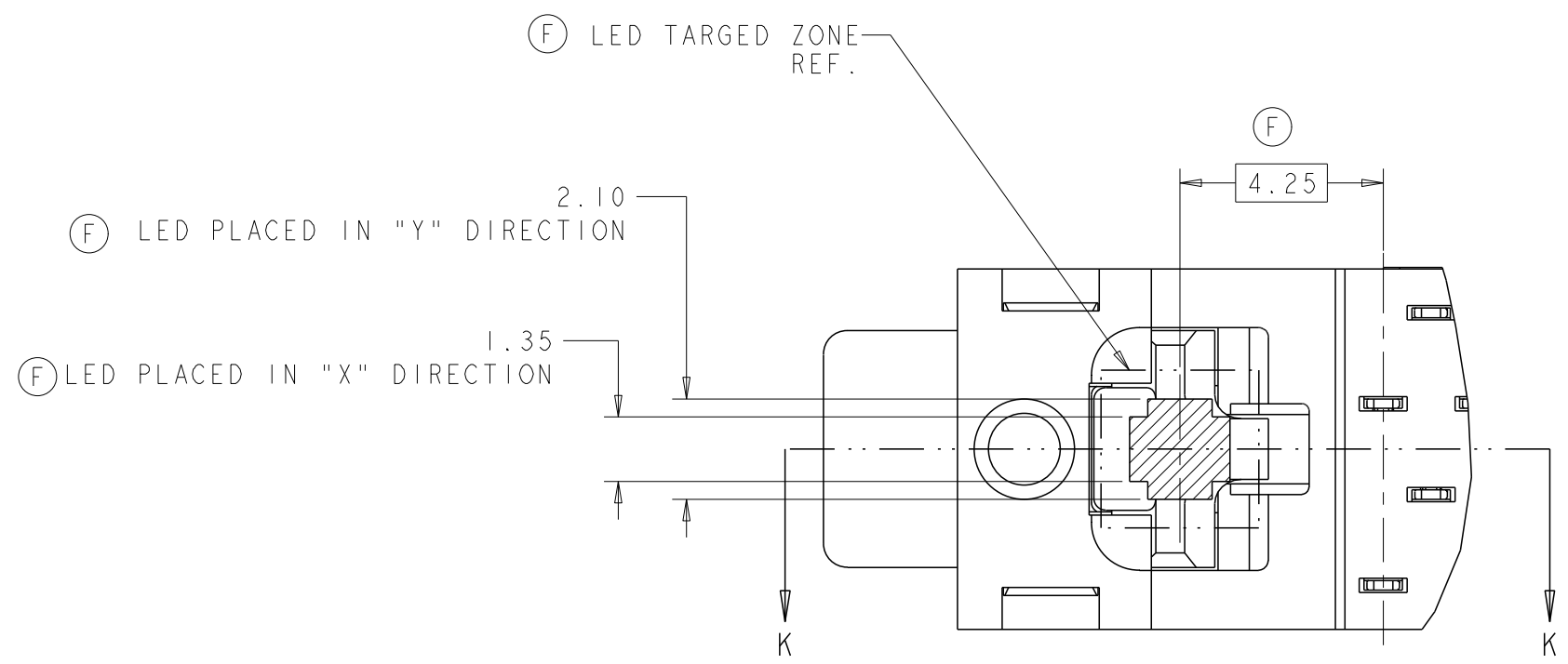


DETAIL E  
 SCALE 8:1

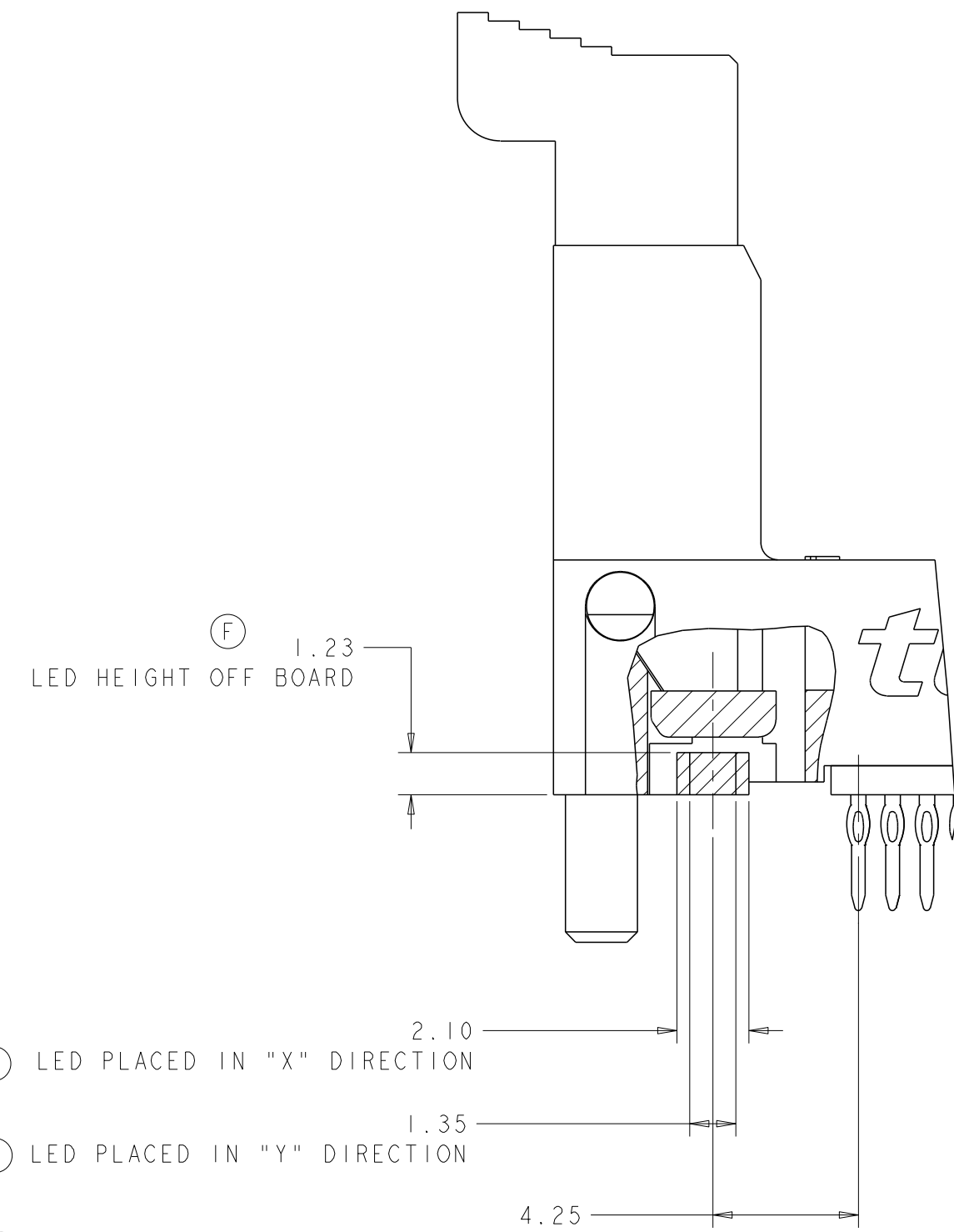
THIS DRAWING IS A CONTROLLED DOCUMENT.		DRN SANDERS, YAN 18-May-2007	TE Connectivity SOCKET ASSEMBLY, VERTICAL DDR3 DIMM, PRESS FIT, 240 POSITIONS
DIMENSIONS: mm		CHK T. KAWAMAE 18-May-2007	
TOLERANCES UNLESS OTHERWISE SPECIFIED:		APVD STEVEN YAO 18-May-2007	NAME
0 PLC ±0.5	1 PLC ±0.13	PRODUCT SPEC	SIZE
2 PLC ±0.13	3 PLC ±0.013	APPLICATION SPEC	CAGE CODE
4 PLC ±0.0001	ANGLES	WEIGHT	DRAWING NO
MATERIAL	FINISH	CUSTOMER DRAWING	A100779
		SCALE	1:1
		SHEET	2 OF 3
		REV	F

THIS DRAWING IS UNPUBLISHED. RELEASED FOR PUBLICATION 20  
 © COPYRIGHT 20 BY - ALL RIGHTS RESERVED.

LOC		DIST		REVISIONS			
P	LYR	DESCRIPTION	DATE	DRN	APVD		
-	-	SEE SHEET 1	-	-	-	-	-



PARTIAL BOTTOM VIEW  
SCALE 10:1



SECTION K-K  
SCALE 8:1

DIM A	COMPLIANT PIN	INTERFACE FINISH	SUPPORT PLATE COLOT	EXTRACTOR COLOR	HOUSING COLOR	DESCRIPTION	PART NUMBER
E3 A2 2.40	A0	(1)	BLACK	NATURAL	BLACK	1 POST	3-2013266-8
			NATURAL	NATURAL	NATURAL		3-2013266-7
			BLACK	AMBER	BLACK		3-2013266-6
			BLUE	BLACK	BLUE		3-2013266-5
E3 A2 3.30	A0	(1)	BLACK	BLACK	BLACK	1 POST	2-2013266-9
			BLACK	NATURAL	BLACK		2-2013266-8
			NATURAL	NATURAL	NATURAL		2-2013266-7
			BLACK	AMBER	BLACK		2-2013266-6
			BLUE	BLACK	BLUE		2-2013266-5

THIS DRAWING IS A CONTROLLED DOCUMENT. DWN 18-May-2007 SANDERS, YAN  
 CHG 18-May-2007 T. KAWAMAE  
 APVD 18-May-2007 STEVEN YAO

DIMENSIONS: mm TOLERANCES UNLESS OTHERWISE SPECIFIED:  
 0 PLC ±.5  
 1 PLC ±0.5  
 2 PLC ±0.13  
 3 PLC ±0.013  
 4 PLC ±0.001  
 ANGLES °

MATERIAL: FINISH: WEIGHT: CUSTOMER DRAWING

APPLIC. SPEC: PRODUCT SPEC: APPLICATION SPEC: NAME: SIZE: CAGE CODE: DRAWING NO: RESTRICTED TO: A 1 00779 ©=2013266

SCALE 1:1 SHEET 3 OF 3 REV F

STE TE Connectivity  
 SOCKET ASSEMBLY,  
 VERTICAL DDR3 DIMM,  
 PRESS FIT, 240 POSITIONS

## X-ON Electronics

Largest Supplier of Electrical and Electronic Components

*Click to view similar products for [TE Connectivity](#) manufacturer:*

Other Similar products are found below :

[D38999/24FJ4AN](#) [570416-000](#) [CLTEQ-M81CE-SSRELAY-4-20V](#) [4-1195131-0](#) [650069-000](#) [SMD100-2](#) [358838-000](#) [CB-1022B-78](#)  
[RM707012](#) [RP410012](#) [MMS42](#) [1-640426-8](#) [2EDL4CM](#) [DTS20W19-11PD-3028-LC](#) [RM202615](#) [NC6-P104-06](#) [MSPS103B](#) [DTS26F21-](#)  
[41HE-LC](#) [DTS26F21-41AE](#) [DTS26F21-41PE-LC](#) [DTS26F21-11SE-3028-LC](#) [30DCB6](#) [1932144-1](#) [293545-4](#) [LVR125S](#) [MS27466T25F4PB](#)  
[CKB-38-78010](#) [TR04AI-TINELLOCKRING](#) [1206SFF150F/63-2](#) [D38999/20JB35HA](#) [TE1500A2R2J](#) [D38999/20WC8BB](#) [DTS24F19-11SC-](#)  
[3028-LC](#) [D38999/24WG11HA](#) [D38999/24WG11HN](#) [MS27467T21F11H](#) [DJT16E21-11HA](#) [MS27467T21F35J](#) [MS27467T21F11J](#)  
[MS27467T21F16H-LC](#) [MS27467T21F35H](#) [MS27467T21F41H-LC](#) [1206SFH150F/24-2](#) [RP330024](#) [DJT16E21-11PA-LC](#) [DJT16E21-11HA-](#)  
[LC](#) [DJT16E21-11AA](#) [MS27467T21B11JA](#) [DJT16E21-11JA](#) [MS27467T21B11JA-LC](#)