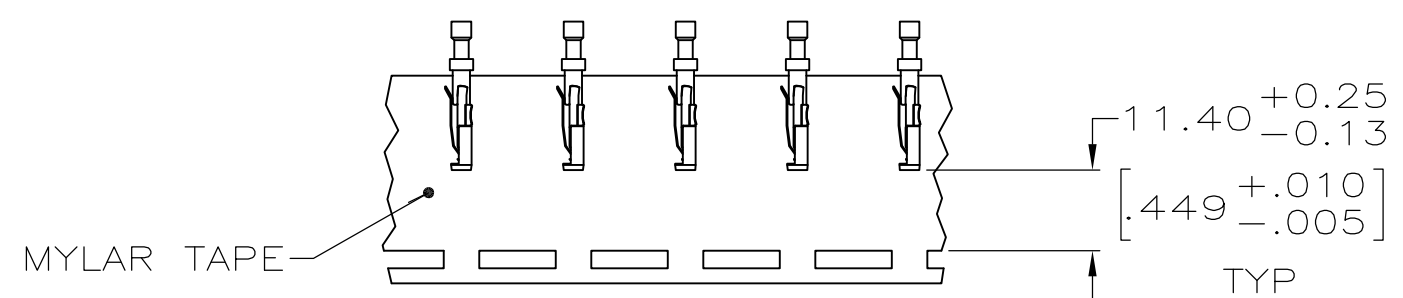
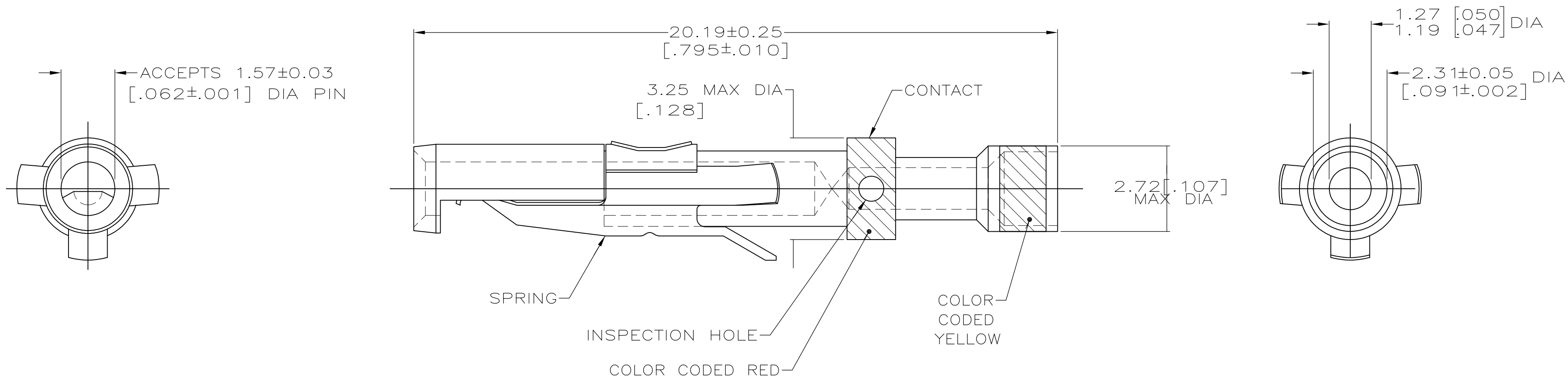


MOD	LOC	DIST	P	F	ZONE	LTR	DESCRIPTION	DATE	APPD
4	BD	39				AE	REDRAWN, ADDED 1--4 PER NPR 3506	5-9-91	RW
						AF	ADDED 1--5 PER NPR 4680	04/02/93	RSK
						AF1	REVISED PER ECO-09-020935	09SEP09	AEG

WHEN ORDERING CONTACT ASSEMBLY ON TAPE, ORDER BY THE TAPE NUMBER PLUS THE PACKAGING CODE AS FOLLOWS:

1. FOR USE WITH AMP TAPETRONIC, PNEUMATIC TOOL—
  - A. 1000 PARTS TO A BOX ADD PACKAGING CODE: 1MBOX
2. FOR USE WITH 4/8 INDENT STRIPPER CRIMPER—
  - A. 1000 PARTS TO A REEL ADD PACKAGING CODE: 1MREEL
  - B. 5000 PARTS TO A REEL ADD PACKAGING CODE: 5MREEL

3 OBSOLETE PARTS: OBSOLETE CIS STREAMLINING PER D.RENAUD/D.SINISI



TAPE MTG DETAIL  
SCALE 1:1

3 OBSOLETE	SMALL PACK	1-201328-5
	KIT	1-201328-4
	TAPE MTG SEE DETAIL	201328-9
	BULK	201328-1
	PACKAGING	PART NO

DO NOT SCALE PRINT. UNLESS SPECIFIED DIMENSIONS IN mm [INCHES] TOLERANCES ON :	DR 5-9-91 W.G.LENKER	AMP Incorporated Harrisburg, PA 17105-3608		
2 PLC DEC ± -	CHK 5-14-91 R.STONE			
3 PLC DEC ± -	APPD 5-14-91 R.WALTER	NAME		
ANGLES ± -	APPD -	SOCKET CONTACT ASSEMBLY, TYPE II		
MATERIAL	PRODUCT SPEC			
CONTACT: BRASS	APPLICATION SPEC	SIZE	CAGE CODE	DRAWING NO
SPRING: STAINLESS STEEL		③	00779	201328
FINISH	WEIGHT -	SCALE	10:1	SHEET
CONTACT: 0.76µm [.000030]				1 OF 1
MIN GOLD OVER 1.27µm				
[.000050] MIN NICKEL				

## X-ON Electronics

Largest Supplier of Electrical and Electronic Components

*Click to view similar products for [Standard Circular Contacts](#) category:*

*Click to view products by [TE Connectivity](#) manufacturer:*

Other Similar products are found below :

[RC16M23J](#) [133780-1](#) [RM20M13D28](#) [RM24M9D28](#) [RMMX110-1D28](#) [MS3474W10-6P L/C](#) [ELFH02211](#) [ELVP16100E](#) [164-901-CD](#)  
[BACS16X1A](#) [EN3545007SCE](#) [BV002BSQ20049CZ](#) [BV002SSQ160404CZ](#) [1900ND05S1B00B](#) [SJS862201](#) [166566-1](#) [1900ND04S1X00D](#)  
[ST-JL05-16S-C3-100](#) [ST-JL05-20S-C1-100](#) [ST-JL05-20S-C2-100](#) [T01-CRIMP-S03](#) [APK-SA16A07-002](#) [27963-15T12](#) [CONT-JL05-08S-C2-10](#) [CONT-JL05-12S-C1-10](#) [RC16M-23T](#) [RFD26L-1D28](#) [BV002ASJ16049CW](#) [JN1-22-20S-R-PKG100](#) [031-50213](#) [031-50794](#) [SJS861301M](#)  
[ST-JL05-16S-C1-100](#) [ST-JL05-20P-C1-100](#) [82911466K](#) [82911467NK](#) [192991-0087](#) [192900-0570](#) [T3P16FC3LZ](#) [ST-JL05-16S-C2-3500](#) [ZP-4016-10NF](#) [CONT-JL05-12P-C1-10](#) [RM20M12G8D28](#) [031-50676](#) [12115010110](#) [RJFTVC2MG](#) [CAP-DACMDPC2](#) [031-50675-002](#) [CAP-DD1FDPC2](#) [CAP-DACMDPC1](#)