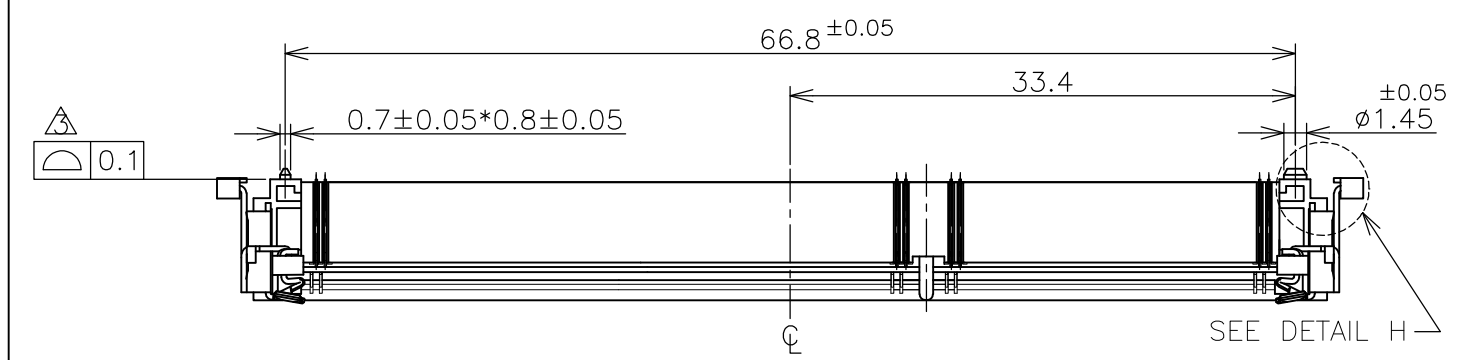
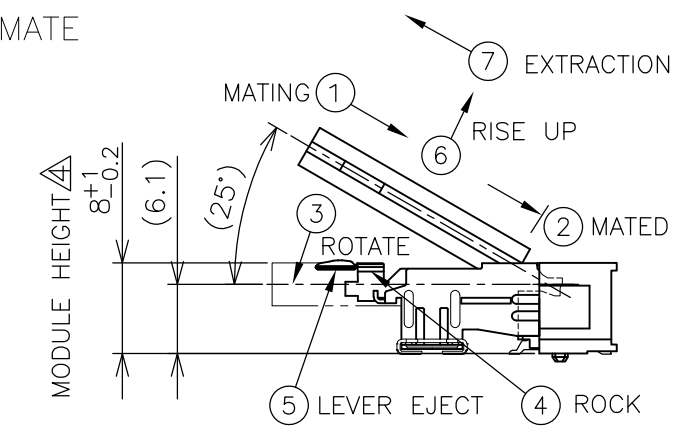
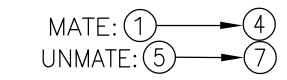


THIS DRAWING IS UNPUBLISHED. RELEASED FOR PUBLICATION SEP ,2007.
 © COPYRIGHT 2007 By - ALL RIGHTS RESERVED.

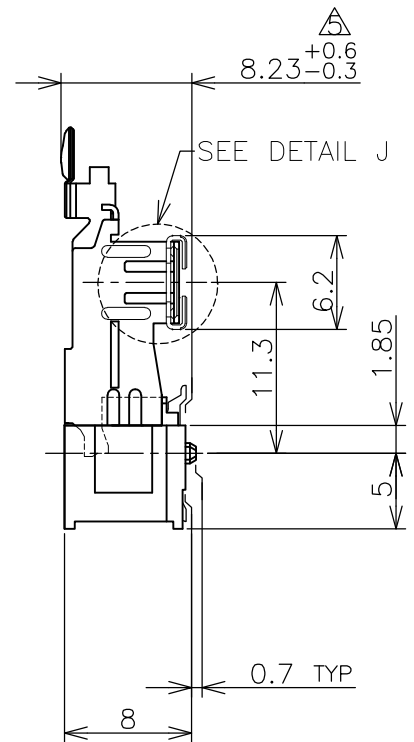
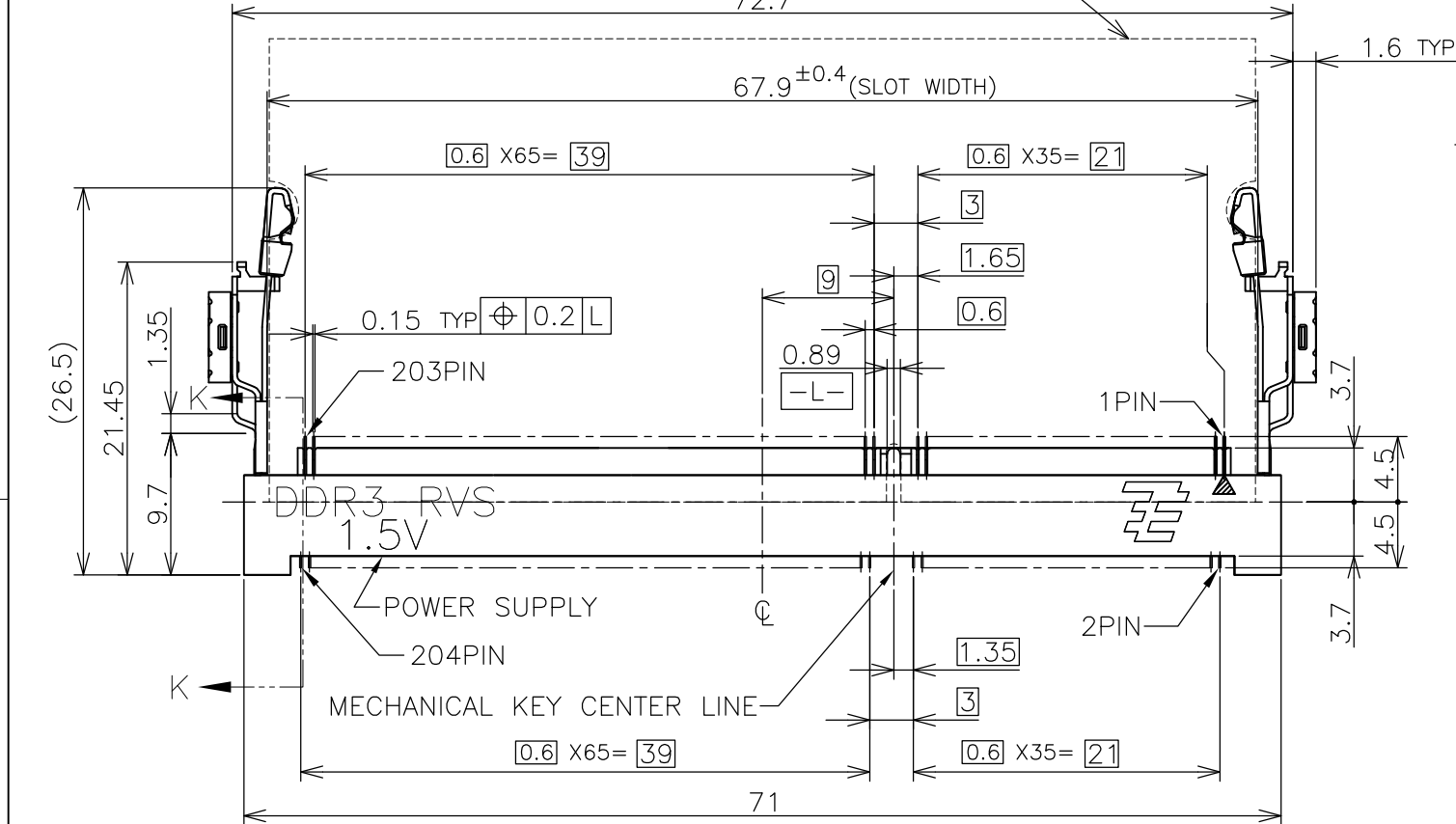
LOC	DIST	REVISIONS			
P	LTR	DESCRIPTION	DATE	DWN	APVD
J	/				
	D	REVISED PER ECR-12-004002	01MAR2012	W.W	C.W



HOW TO MATE AND UNMATE



RECOMMENDED MATING P.C.B OUTLINE
72.7±0.5

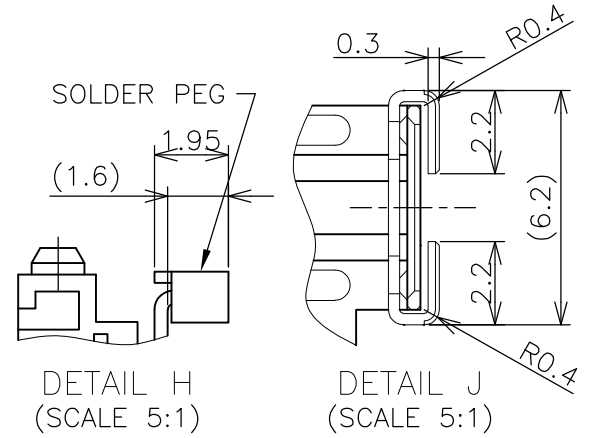
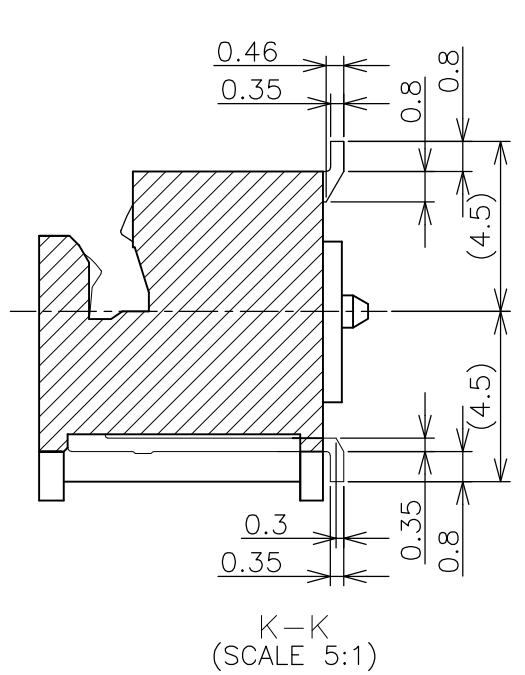


SEE DETAIL J (APPLIED TO SHEET 1-3)

- 1. MATERIAL ; HOUSING: HIGH TEMPERATURE THERMO PLASTIC UL94V-0
COLOR: SEE TABLE
CONTACT: COPPER ARROY
LOCK LEVER: STAINLESS STEEL
PEG: COPPER ARROY
- 2-1. FINISH ; CONTACT AREA: GOLD FLASH
ALL OVER NICKEL.
SOLDERING AREA: GOLD FLASH PLATING
PEG: TIN PLATING.
- 2-2. FINISH ; CONTACT AREA: 0.000254MIN GOLD
ALL OVER NICKEL.
SOLDERING AREA: GOLD FLASH PLATING
PEG: TIN PLATING.
- 2-3. FINISH ; CONTACT AREA: 0.00076MIN GOLD
ALL OVER NICKEL.
SOLDERING AREA: GOLD FLASH PLATING
PEG: TIN PLATING.

- △ COPLANARITY: 0.1 MAX. (BEFORE SOLDERING)
- △ THE FLOATING VALUE BY SOLDERING IS NOT INCLUDED.
- △ NOT MATING CONDITION.

6. IF THE MODULE DOESN'T INSERT AND LOCK IN THE LATCH SMOOTHLY, OPEN WIDE BOTH LATCHES BY MANUAL. AND THE MODULE MUST BE INSERTED AND LOCKED IN THE LATCH.



GENERAL TOLERANCE
 10 ≥ ±0.2
 30 ≥ >10: ±0.25
 100 ≥ >30: ±0.3
 ANGLES: ±3°

THIS DRAWING IS A CONTROLLED DOCUMENT.		DWN T.FUMIKURA 18SEP2007	TE Connectivity		
DIMENSIONS: MM		CHK K.IKEGAMI 18SEP2007			
TOLERANCES UNLESS OTHERWISE SPECIFIED:		APVD K.IKEGAMI 18SEP2007	DDR3 SODIMM SOCKET		
0 PLC ±		PRODUCT SPEC	0.6mm PITCH 204POS		
1 PLC ±		APPLICATION SPEC	8.0mm HEIGHT REVERSE TYPE		
2 PLC ±		108-78493	SIZE	CAGE CODE	DRAWING NO
3 PLC ±		WEIGHT 5.8g	A3	00779	C-2013298
4 PLC ±		CUSTOMER DRAWING	SCALE 2:1	SHEET 1 OF 6	REV D
ANGLES ±					
FINISH					
MATERIAL					

4

3

2

1

THIS DRAWING IS UNPUBLISHED.

RELEASED FOR PUBLICATION SEP ,2007.

© COPYRIGHT 2007 By -

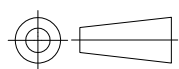
ALL RIGHTS RESERVED.

LOC	DIST	REVISIONS					
J	/	P	LTR	DESCRIPTION	DATE	DWN	APVD
		-		SEE SHEET 1	-	-	-

AVAILABLE	ENBOSS (SEE SHEET 6)	WITHBOSS	BLACK	NOTE 2-3	1.5V	204	2-2013298-3
AVAILABLE	ENBOSS (SEE SHEET 6)	WITHBOSS	BLACK	NOTE 2-2	1.5V	204	2-2013298-2
AVAILABLE	ENBOSS (SEE SHEET 6)	WITHBOSS	BLACK	NOTE 2-1	1.5V	204	2-2013298-1
AVAILABLE	SEMI-HARD TRAY (SEE SHEET 5)	WITH BOSS	BLACK	NOTE 2-3	1.5V	204	2013298-3
AVAILABLE	SEMI-HARD TRAY (SEE SHEET 5)	WITH BOSS	BLACK	NOTE 2-2	1.5V	204	2013298-2
AVAILABLE	SEMI-HARD TRAY (SEE SHEET 5)	WITH BOSS	BLACK	NOTE 2-1	1.5V	204	2013298-1
TOOLING STATUS	PACKAGING TYPE	REMARK	HOUSING COLOR	FINISH	POWER SUPPLY	POS	PART NO.

THIS DRAWING IS A CONTROLLED DOCUMENT.

DIMENSIONS:
MM



TOLERANCES UNLESS OTHERWISE SPECIFIED:

- 0 PLC ± 0.5
- 1 PLC ± 0.5
- 2 PLC ± 0.5
- 3 PLC ± 0.5
- 4 PLC ± 0.5
- ANGLES ± 3'

MATERIAL

FINISH

DWN
CHK
APVD
PRODUCT SPEC
APPLICATION SPEC
WEIGHT
CUSTOMER DRAWING



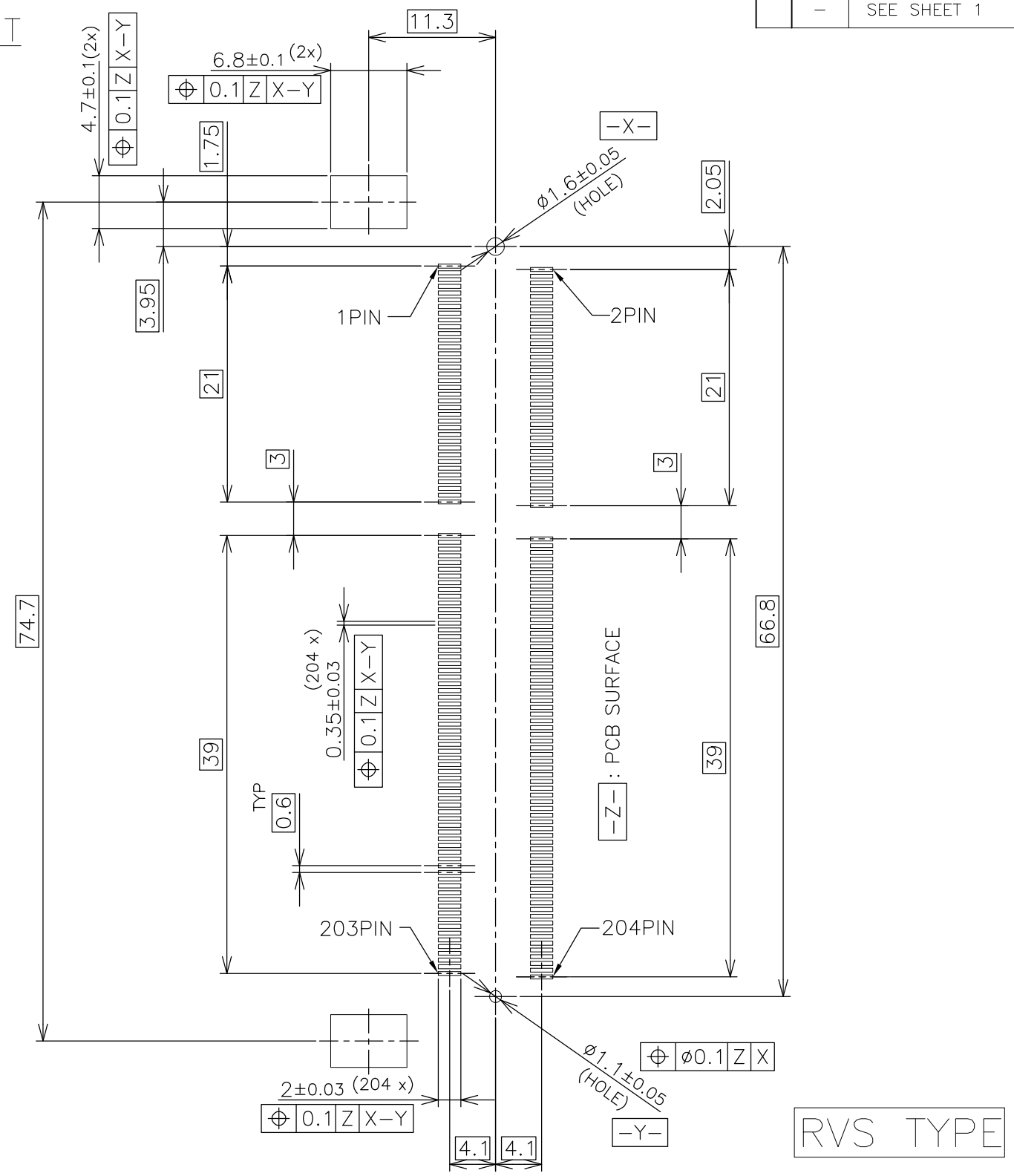
NAME
 DDR3 SODIMM SOCKET
 0.6mm PITCH 204POS
 8.0mm HEIGHT REVERSE TYPE

SIZE	CAGE CODE	DRAWING NO	RESTRICTED TO
A3	00779	C-2013298	-

SCALE	SHEET	REV
2:1	2 of 6	D

LOC	DIST	REVISIONS				
P	LTR	DESCRIPTION	DATE	DWN	APVD	
J	/	-	SEE SHEET 1	-	-	-

REFERENCE P.C.BOARD PATTERN LAYOUT (CONNECTOR MOUNTING SIDE)

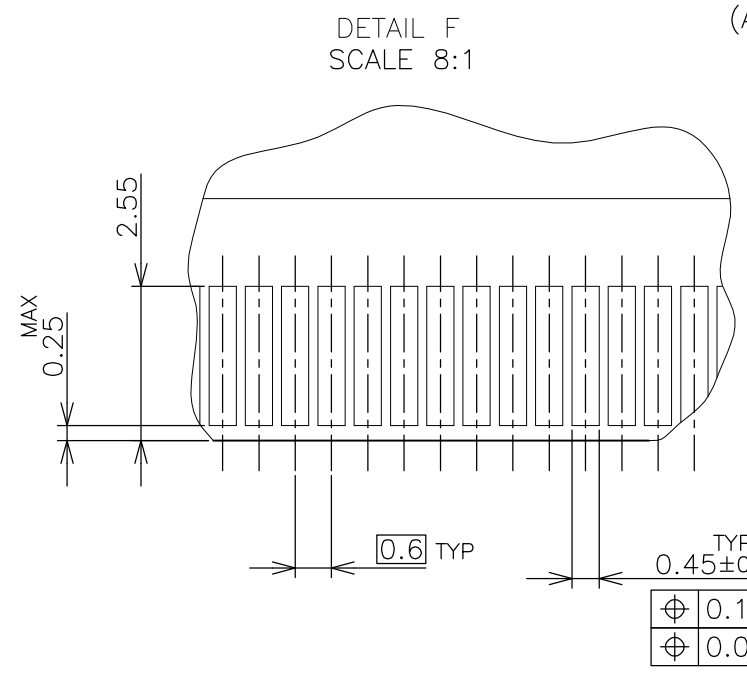
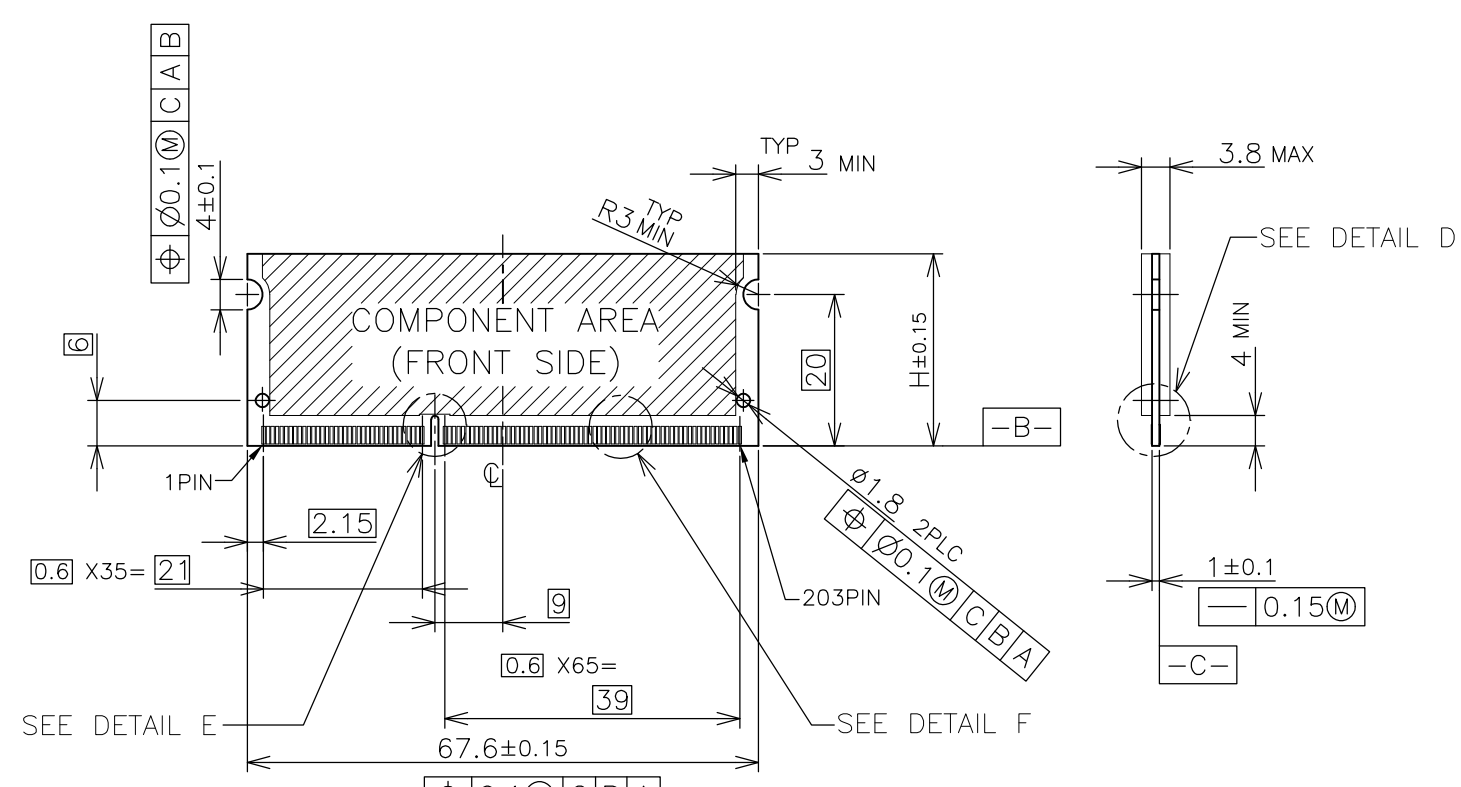


THIS DRAWING IS A CONTROLLED DOCUMENT.		DWN	TE Connectivity			
DIMENSIONS: MM		CHK				NAME
TOLERANCES UNLESS OTHERWISE SPECIFIED:		APVD	DDR3 SODIMM SOCKET 0.6mm PITCH 204POS 8.0mm HEIGHT REVERSE TYPE			
0 PLC ± 1 PLC ± 2 PLC ± 3 PLC ± 4 PLC ± ANGLES ± MATERIAL FINISH		PRODUCT SPEC	SIZE	CAGE CODE	DRAWING NO	RESTRICTED TO
		APPLICATION SPEC	A3	00779	C-2013298	-
		WEIGHT	CUSTOMER DRAWING		SCALE	SHEET
					2:1	3 OF 6
						REV D

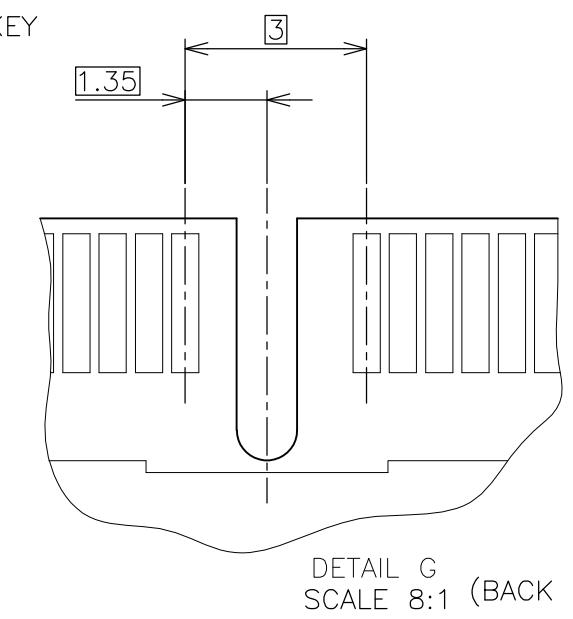
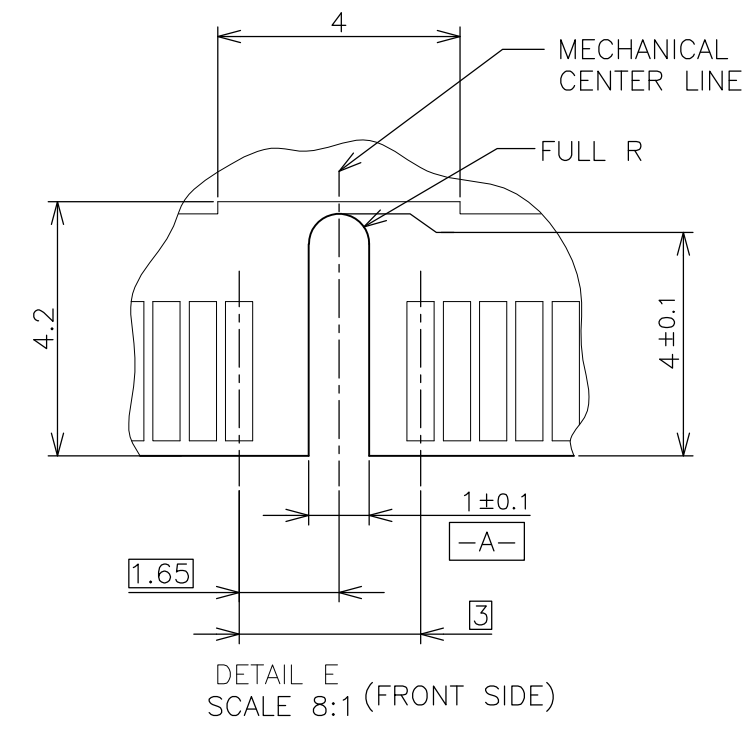
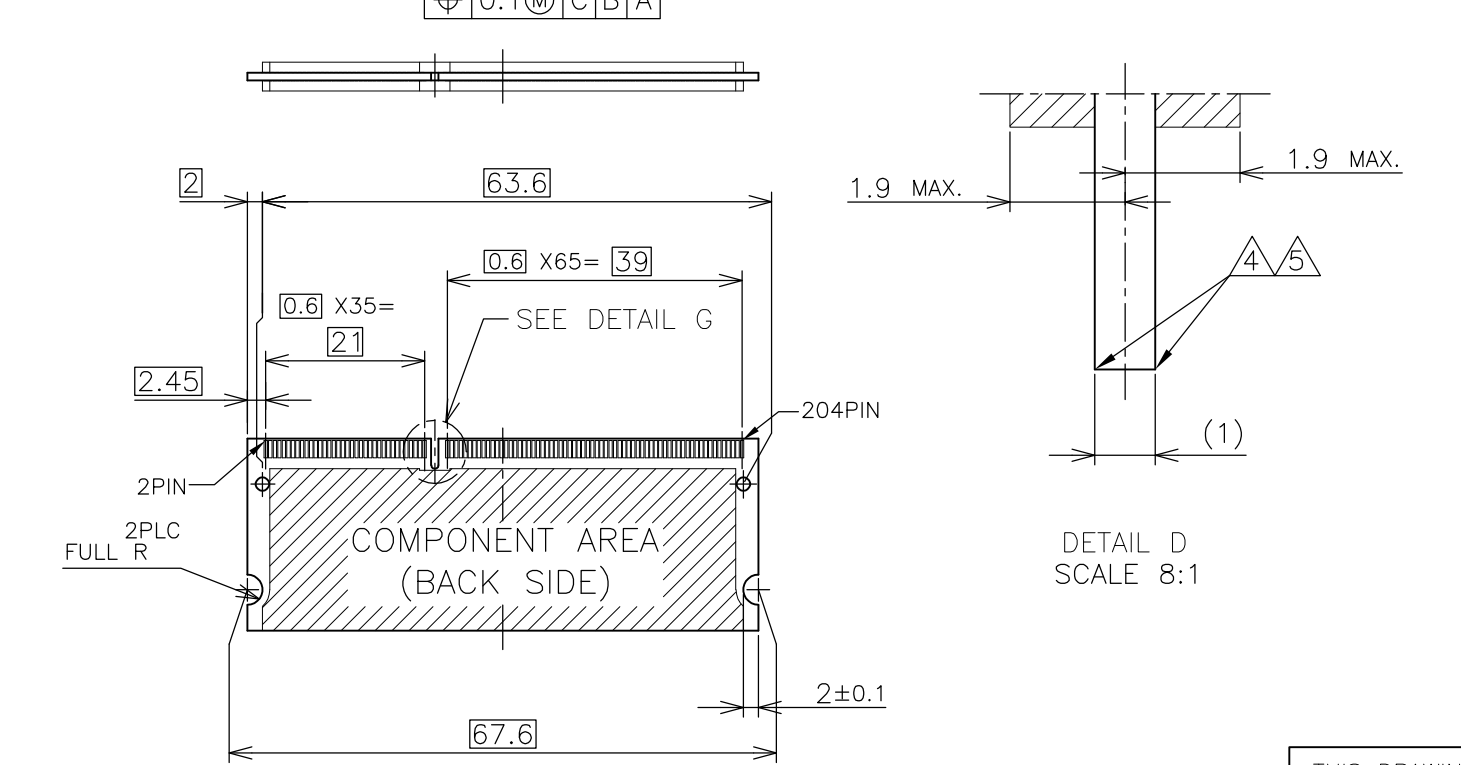
THIS DRAWING IS UNPUBLISHED. RELEASED FOR PUBLICATION SEP ,2007.
 © COPYRIGHT 2007 By - ALL RIGHTS RESERVED.

LOC		DIST		REVISIONS			
P	LTR	DESCRIPTION	DATE	DWN	APVD		
J	/	-	SEE SHEET 1	-	-	-	

REFERENCE MATING P.C.B CONFIGURATION



- (APPLIED TO SHEET 4)
1. TOLERANCES ON ALL DIMENSIONS ±0.15 UNLESS OTHERWISE SPECIFIED.
 2. P.C. BOARD THICKNESS APPLIES ACROSS TABS AND INCLUDES PLATING AND/OR METALIZATION.
 3. FINISH OF PAD : GOLD PLATING 0.00076 MIN. OVER Ni PLATING 0.002MIN.
- NO BURR
 CHAMFER 0.25 MAX x 45° IF EXIST.



30	CA
31.75	BA
25.4	AA
H	SDRAM VARIATIONS

THIS DRAWING IS A CONTROLLED DOCUMENT.		DWN	TE Connectivity DDR3 SODIMM SOCKET 0.6mm PITCH 204POS 8.0mm HEIGHT REVERSE TYPE		
DIMENSIONS: MM		CHK			
TOLERANCES UNLESS OTHERWISE SPECIFIED:		APVD			
0 PLC ± 1 PLC ± 2 PLC ± 3 PLC ± 4 PLC ± ANGLES ± FINISH ±		NAME			
MATERIAL		PRODUCT SPEC	SIZE CAGE CODE DRAWING NO RESTRICTED TO		
		APPLICATION SPEC	A3 00779 C-2013298		
		WEIGHT	CUSTOMER DRAWING SCALE 2:1 SHEET 4 OF 6 REV D		

4

3

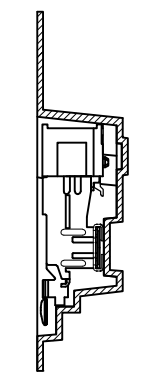
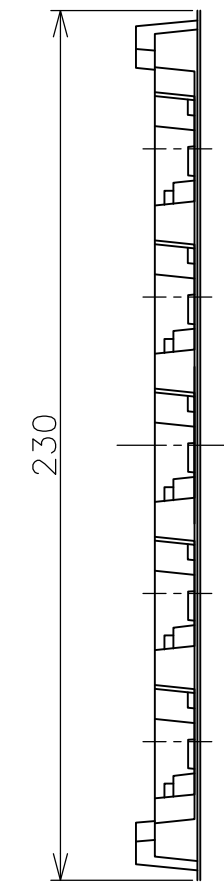
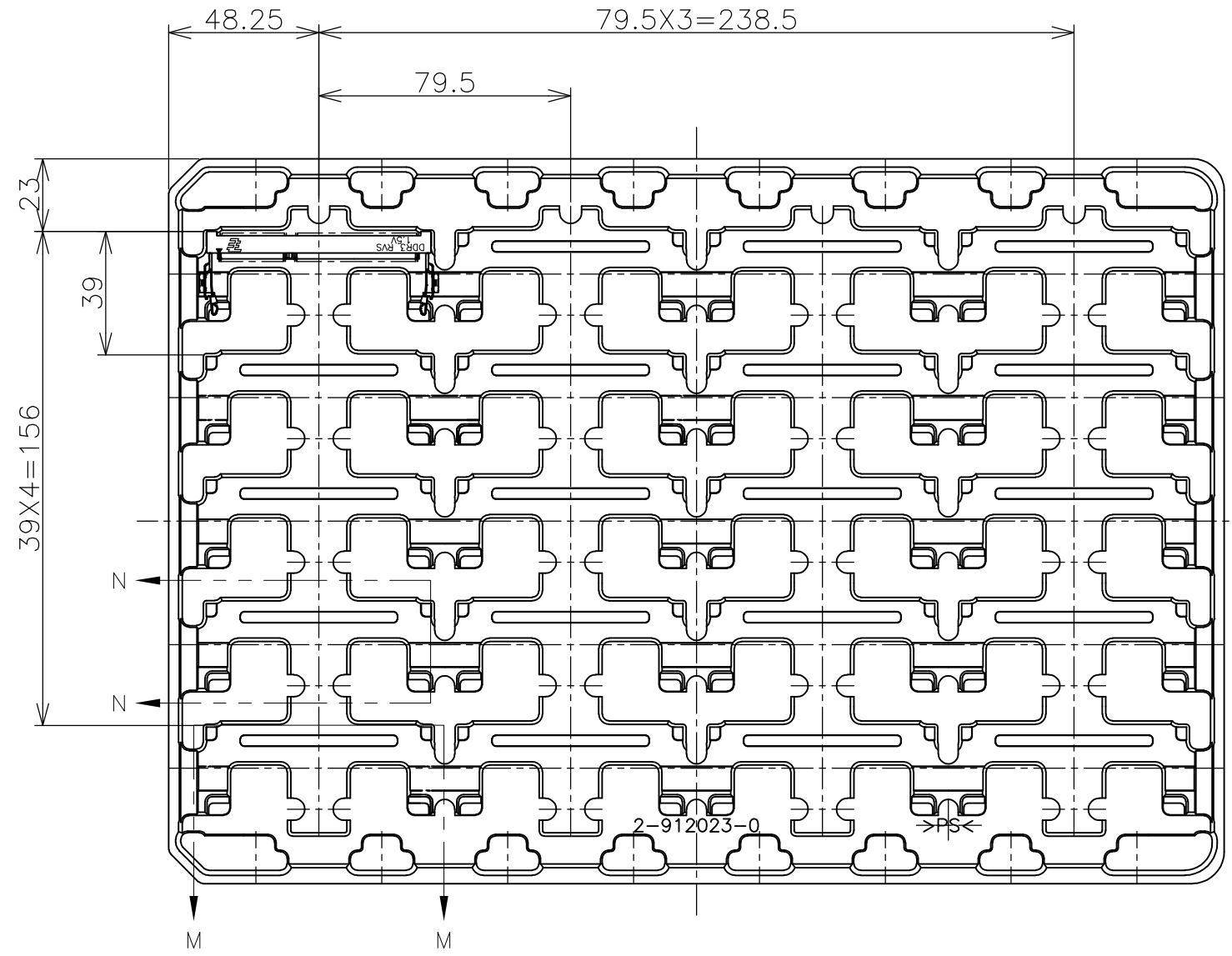
2

1

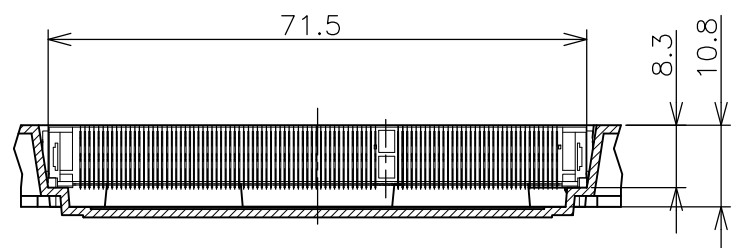
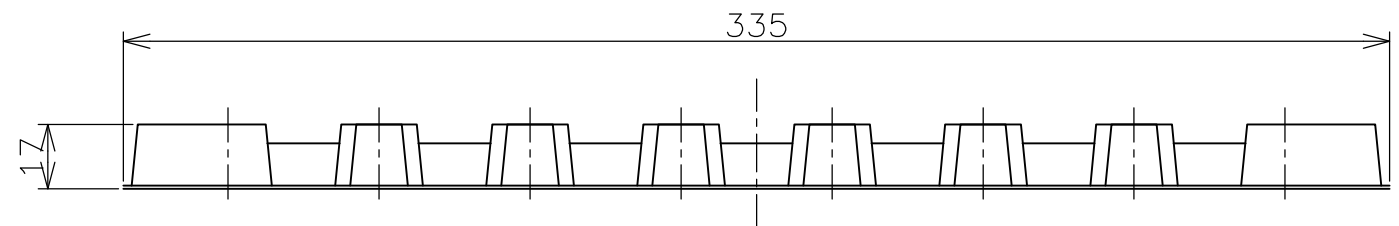
THIS DRAWING IS UNPUBLISHED. RELEASED FOR PUBLICATION SEP ,2007.
 © COPYRIGHT 2007 By - ALL RIGHTS RESERVED.

LOC	DIST	REVISIONS			
P	LTR	DESCRIPTION	DATE	DWN	APVD
J	/	SEE SHEET 1	-	-	-

- (APPLIED TO SHEET 5)
1. THE DIRECTION OF EACH CONNECTOR ON A TRAY IS REFERRED TO THIS DRAWING.
 2. GENERAL TOLERANCE: ± 0.5 , $\pm 3^\circ$



N-N
SCALE 1:1



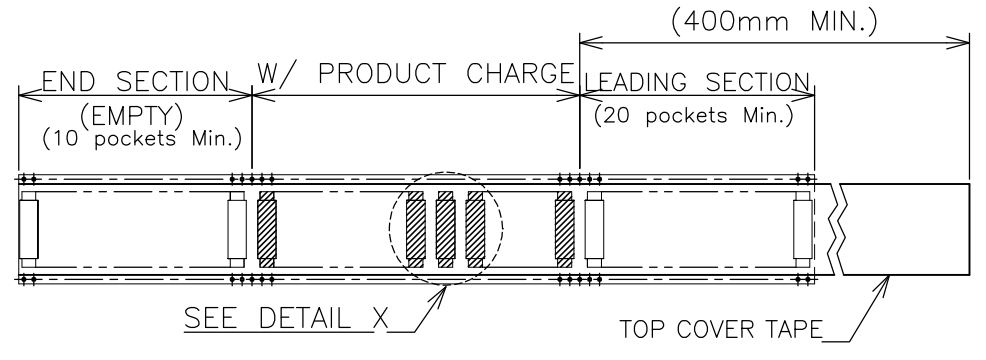
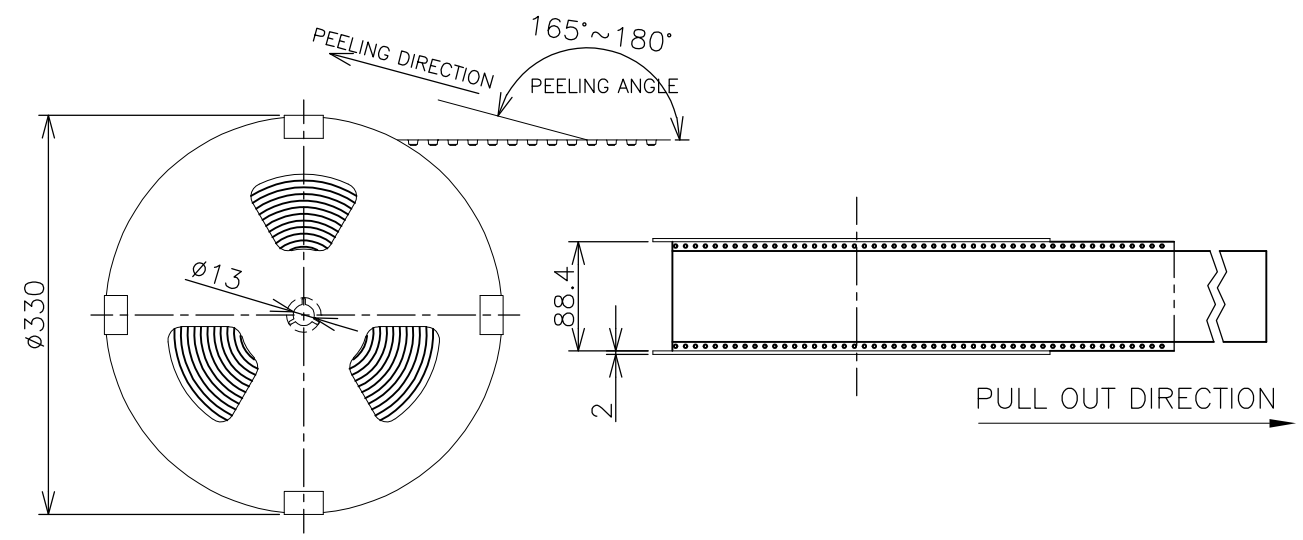
M-M
SCALE 1:1
(180DEG. ROTATE)

200EA	20EA	*-2013298-*
QTY/BOX	QTY/TRAY	PART NO.

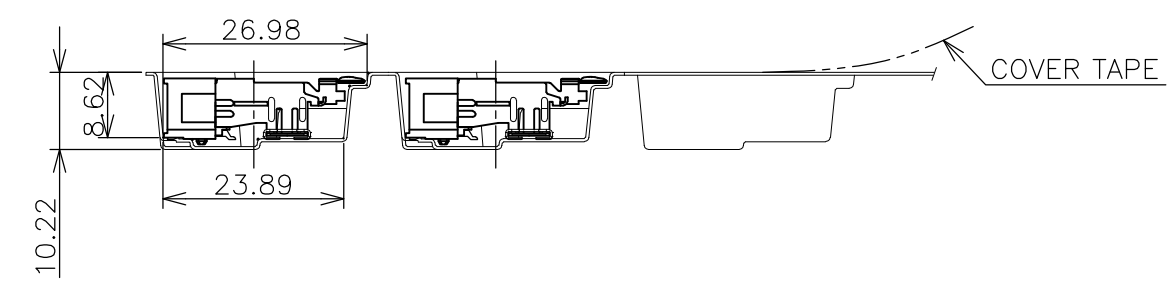
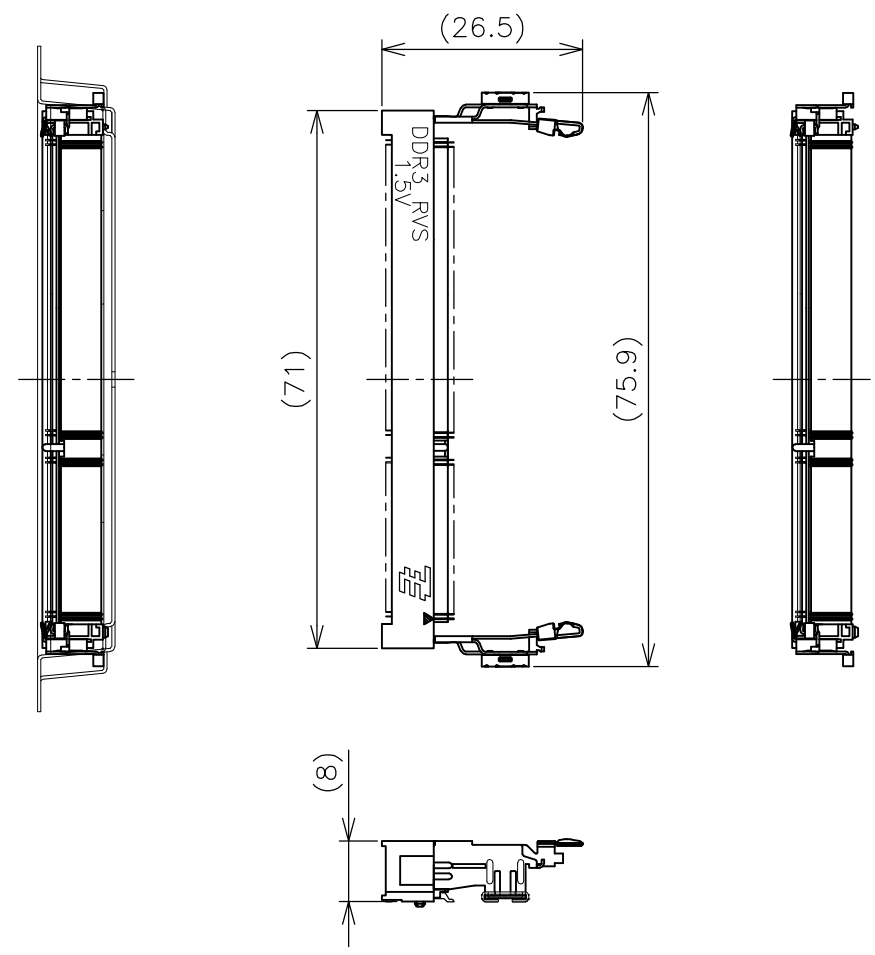
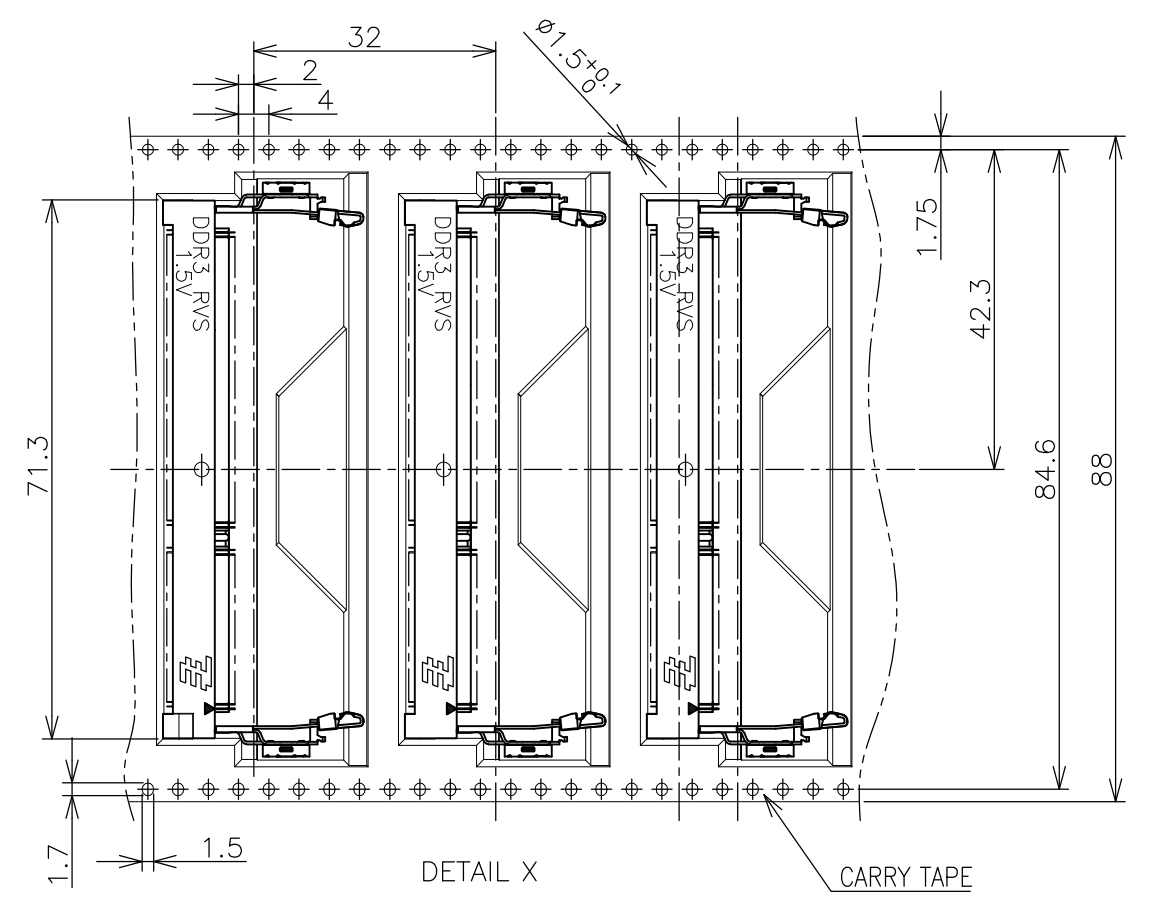
THIS DRAWING IS A CONTROLLED DOCUMENT.		DWN		TE Connectivity			
DIMENSIONS: MM		CHK				NAME	
TOLERANCES UNLESS OTHERWISE SPECIFIED: 0 PLC ± 0.5 1 PLC ± 0.5 2 PLC ± 0.5 3 PLC ± 0.5 4 PLC ± 0.5 ANGLES $\pm 3^\circ$		APVD				DDR3 SODIMM SOCKET 0.6mm PITCH 204POS 8.0mm HEIGHT REVERSE TYPE	
MATERIAL		PRODUCT SPEC				SIZE	
FINISH		APPLICATION SPEC		CAGE CODE			
		WEIGHT		DRAWING NO			
		CUSTOMER DRAWING		RESTRICTED TO			
		SCALE 1:2		A3 00779 C-2013298			
		SHEET 5 OF 6		REV D			

THIS DRAWING IS UNPUBLISHED. RELEASED FOR PUBLICATION SEP , 2007.
 © COPYRIGHT 2007 By -- ALL RIGHTS RESERVED.

LOC	DIST	REVISIONS			
P	LTR	DESCRIPTION	DATE	DWN	APVD
J	/	SEE SHEET 1	-	-	-



- (APPLIED TO SHEET 6)
1. THE DIRECTION OF EACH CONNECTOR ON A EMBOSS IS REFERRED TO THIS DRAWING.
 2. GENERAL TOLERANCE: ± 0.5 , $\pm 3^\circ$



150EA	*-2013298-*
QTY/REEL	PART NO.

THIS DRAWING IS A CONTROLLED DOCUMENT.		DWN	TE Connectivity NAME DDR3 SODIMM SOCKET 0.6mm PITCH 204POS 8.0mm HEIGHT REVERSE TYPE				
DIMENSIONS: MM		CHK					
TOLERANCES UNLESS OTHERWISE SPECIFIED:		APVD					
0 PLC ± 0.5 1 PLC ± 0.5 2 PLC ± 0.5 3 PLC ± 0.5 4 PLC ± 0.5 ANGLES $\pm 3^\circ$		PRODUCT SPEC					
MATERIAL		FINISH	APPLICATION SPEC	SIZE	CAGE CODE	DRAWING NO	RESTRICTED TO
CUSTOMER DRAWING			WEIGHT	A3	00779	C-2013298	-
			SCALE	1:1	SHEET	6 OF 6	REV D

X-ON Electronics

Largest Supplier of Electrical and Electronic Components

Click to view similar products for [DIMM Connectors](#) category:

Click to view products by [TE Connectivity](#) manufacturer:

Other Similar products are found below :

[1-1932649-2](#) [1-1761024-0](#) [296409204002856+](#) [1932180-2](#) [10086891-052TSLF](#) [59355-052FSLF](#) [5390471-1](#) [2309413-3](#) [10033853-052ASLF](#)
[87782-6003](#) [KIT-SODIMM-1X16GB/01](#) [10129206-0010013LF](#) [2309409-2](#) [0780350001](#) [0780350301](#) [0783150011](#) [0878030012](#)
[75.963AT.G020C](#) [78.B1GDE.AF1](#) [10078239-11103LF](#) [6-390322-1](#) [2013311-1](#) [2309410-1](#) [10116658-152FSLF](#) [1-1735438-3](#) [1-1735413-1](#)
[78730-1002](#) [78726-1002](#) [2013310-1](#) [390111-1](#) [1735438-3](#) [78373-0011](#) [2308107-1](#) [2-2308107-1](#) [2309411-1](#) [5-1746530-4](#) [2309408-1](#)
[2309409-1](#) [151134-0001](#) [296406200001856+](#) [2309407-1](#) [FCN-074J240-G/1D](#) [FCN-074B288-G/2D](#) [2309414-1](#) [10081530-12208LF](#) [151080-0001](#) [78321-0001](#) [78726-1004](#) [87705-1053](#) [19320](#)