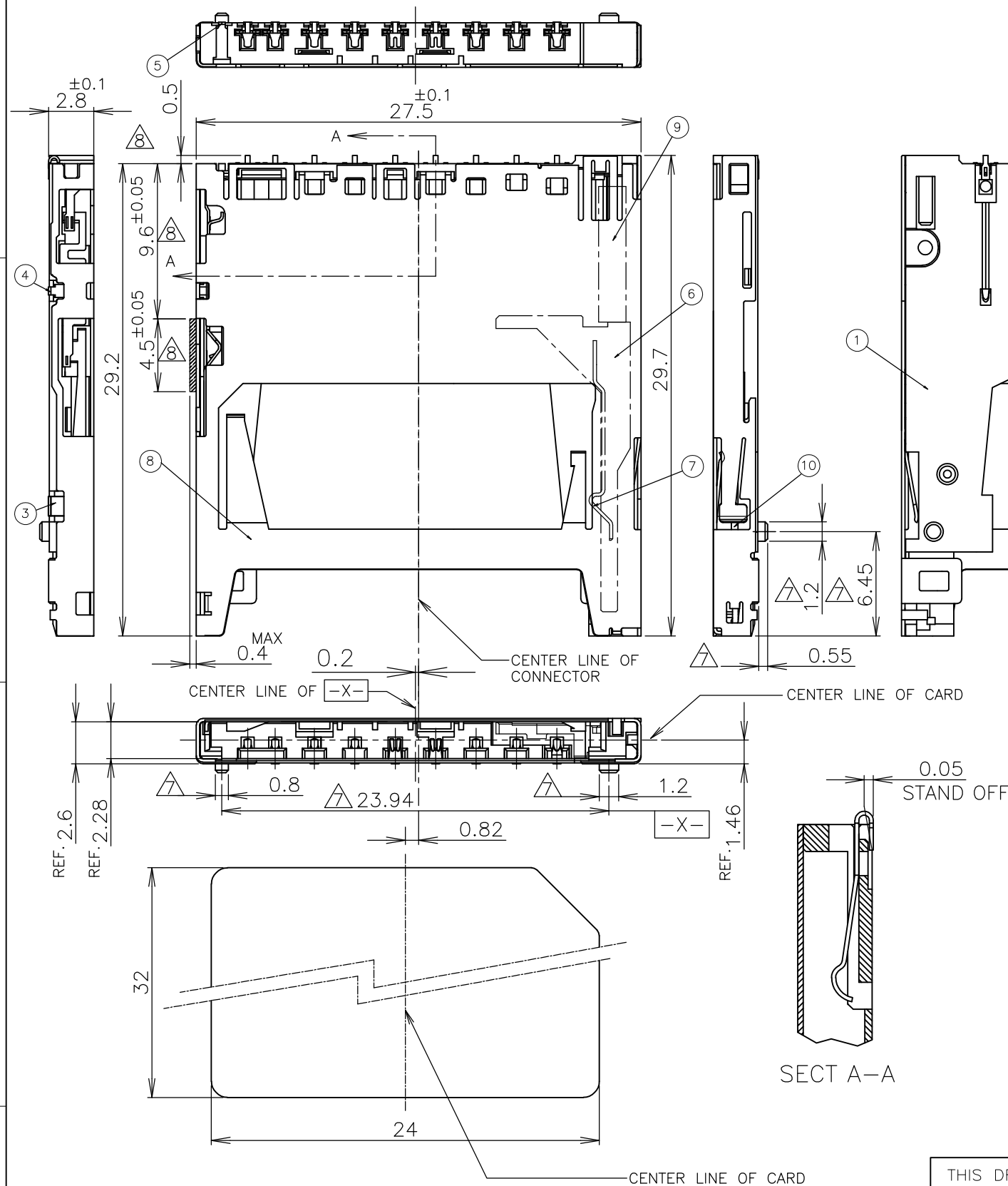


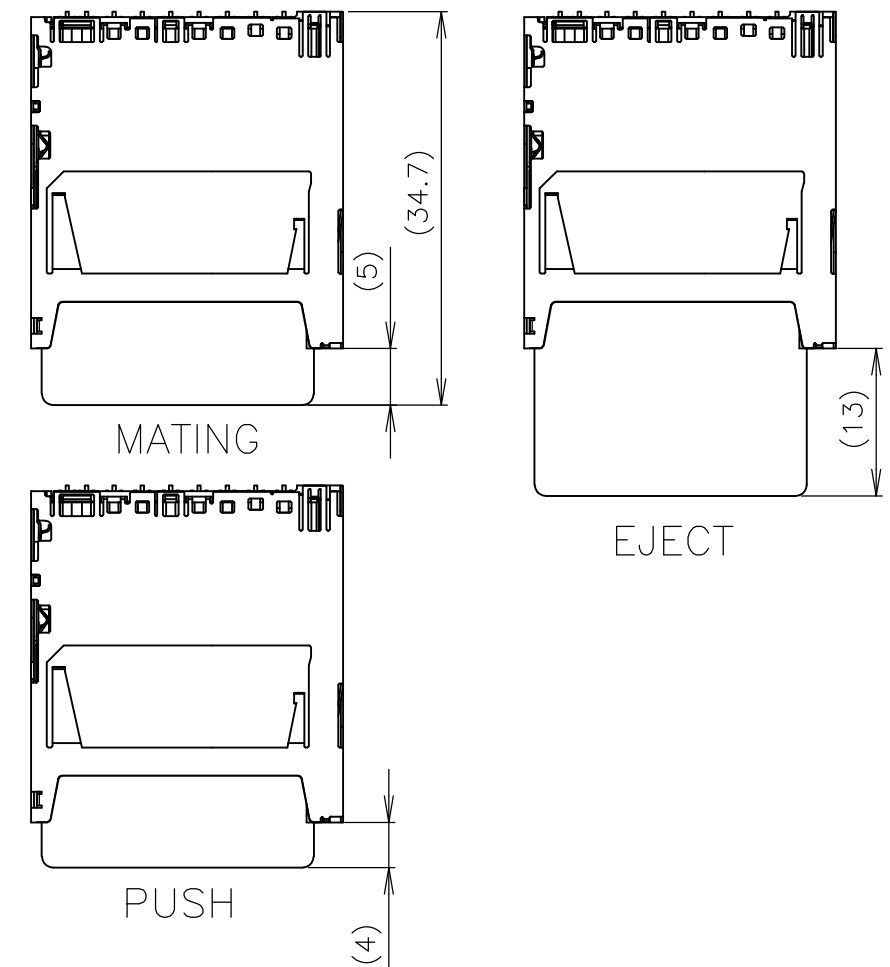
THIS DRAWING IS UNPUBLISHED. RELEASED FOR PUBLICATION MAR , 2003.  
 © COPYRIGHT 2004 Tyco Electronics JAPAN G.K. ALL RIGHTS RESERVED.

REVISIONS 変更					
P	LTR	DESCRIPTION	DATE	DWN	APVD
	C	REVISED	20SEP2016	M.T	K.K



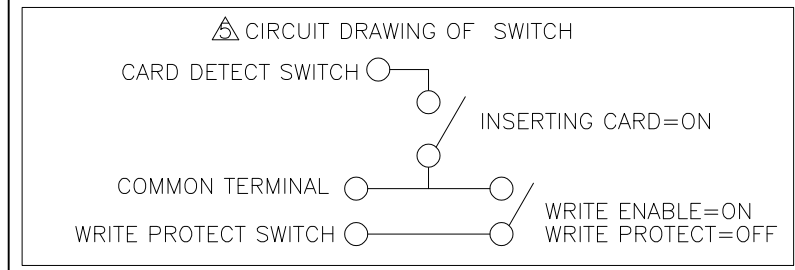
- 注記
- △ カード認識スイッチ用パッド
  - △ コモン端子用パッド
  - △ ライトプロテクトスイッチ用パッド
  - 4 カード挿入時の接触の順番  
PIN #3,4 — PIN #2,5,6,7,8,9  
カード認識スイッチ — PIN #1 ←
  - △ スwitchの回路図
  - 6 本製品は浸漬による洗浄は行わないこと。
  - △ ボス無しタイプには、適用なし。
  - △ スwitch可動エリア
  - △ 材料&仕上げはテーブルを参照のこと。

- NOTE
- △ PAD FOR CARD DETECT SWITCH
  - △ PAD FOR COMMON TERMINAL
  - △ PAD FOR WRITE PROTECT SWITCH
  - 4 THE SEQUENCE OF CONTACT DURING CARD INSERTION  
PIN #3,4 — PIN #2,5,6,7,8,9  
CARD DETECT SWITCH — PIN #1 ←
  - △ CIRCUIT DRAWING OF SWITCH
  - 6 DON'T WASH BY IMMERSING THE CONNECTOR IN FLUID
  - △ NO APPLIED TO WITHOUT BOSS TYPE.
  - △ SWITCH MOVING AREA
  - △ REFER TO THE TABLE FOR MATERIAL AND FINISH.



CARD LOCATION WHEN OPERATING

ITEM	DESCRIPTION	MATERIAL	FINISH	QTY
⑩	CAM ROD	SUS	-	1
⑨	COIL SPRING	SWP	-	1
⑧	SHELL	COPPER ALLOY	TIN PLATE	1
⑦	HOOK SPRING	SUS (THK=0.25mm)	-	1
⑥	SLIDER	THERMOPLASTIC	-	1
⑤	SWITCH C	COPPER ALLOY	Au ON CONTACT AREA OVER Ni AND Sn ON SOLDER TINE OVER Ni.	1
④	SWITCH B	COPPER ALLOY	Au ON CONTACT AREA AND SOLDER TINE OVER Ni.	1
③	SWITCH A	COPPER ALLOY	Au ON CONTACT AREA OVER Ni AND Sn ON SOLDER TINE OVER Ni.	1
②	CONTACT	COPPER ALLOY	Au ON CONTACT AREA OVER Ni AND Sn ON SOLDER TINE OVER Ni.	1
①	HOUSING	THERMOPLASTIC	-	1
ITEM	DESCRIPTION	△ MATERIAL	△ FINISH	QTY



-1, ≡ 2 : AS SHOWN

OBSOLETE	WITHOUT	2013357-2
	WITH	2013357-1
	BOSS	PART NUMBER

THIS DRAWING IS A CONTROLLED DOCUMENT.

DIMENSIONS: 単位: 概 MM

TOLERANCES UNLESS OTHERWISE SPECIFIED: 一般公差

0 PLC	± 0.3
1 PLC	± 0.3
2 PLC	± 0.3
3 PLC	± 0.3
4 PLC	± 0.3
ANGLES	± 3'

MATERIAL 材料

FINISH 仕上

DWN T.KUBO 04JUN07  
 CHK Y.NAKAZAWA 04JUN07  
 APVD Y.NAKAZAWA 04JUN07

NAME 名称  
 SD MEMORY CARD CONNECTOR  
 PUSH PUSH TYPE

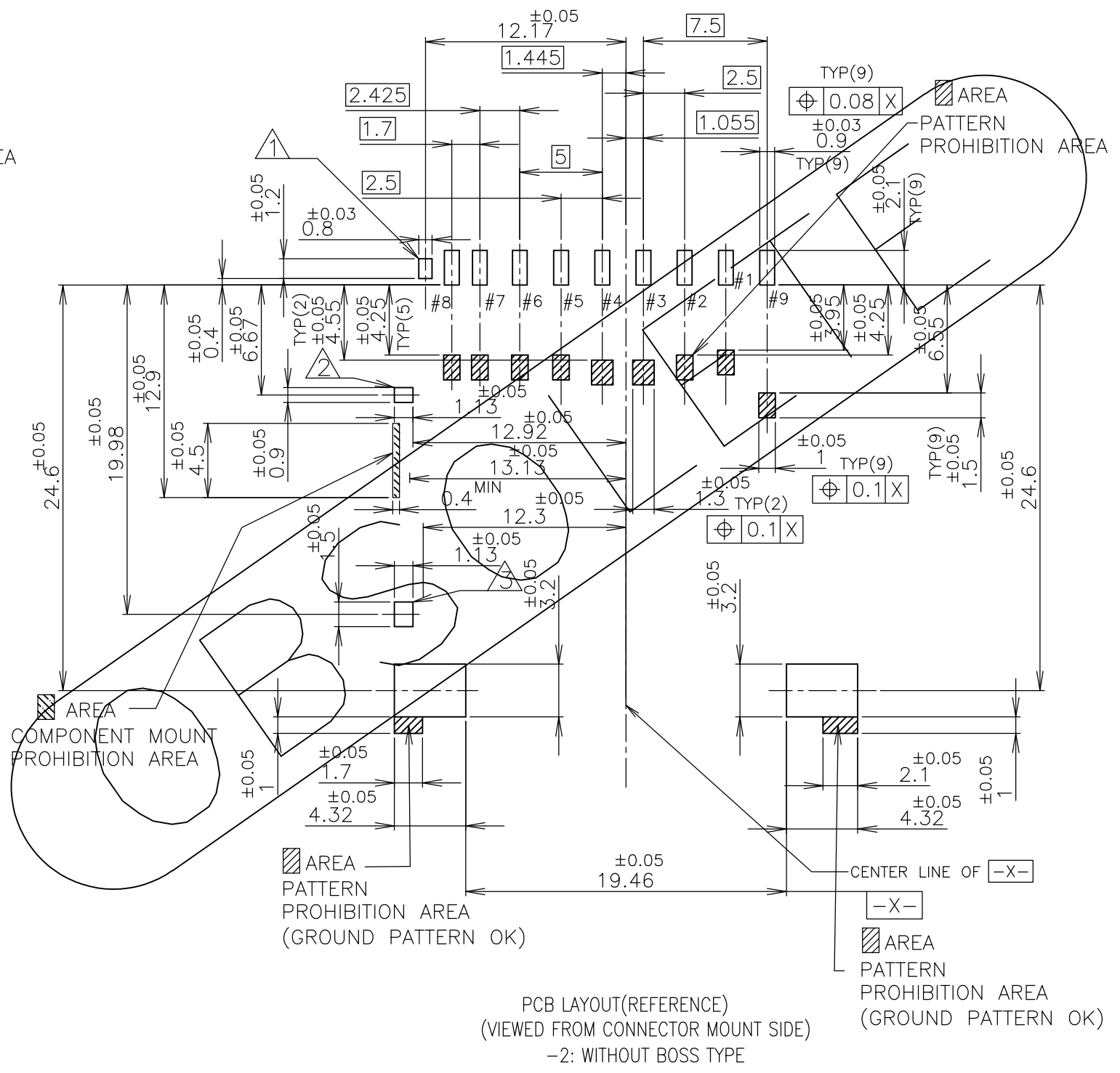
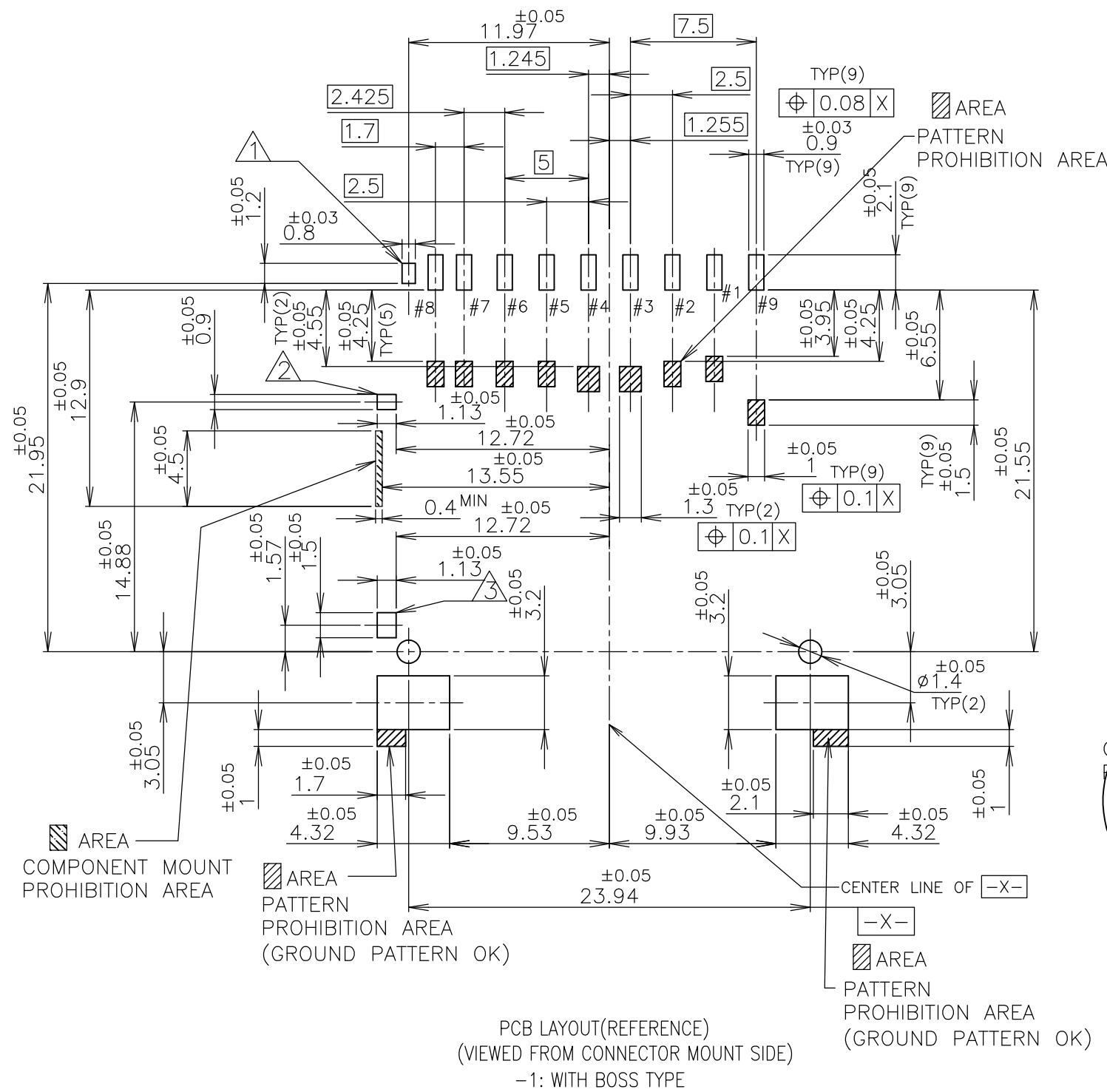
PRODUCT SPEC 製品規格  
 APPLICATION SPEC 取付適用規格

WEIGHT

SIZE A3 CAGE CODE 00779 DRAWING NO. 番号 C-2013357 RESTRICTED TO

CUSTOMER DRAWING SCALE 尺度 3:1 SHEET 1 OF 3 REV C

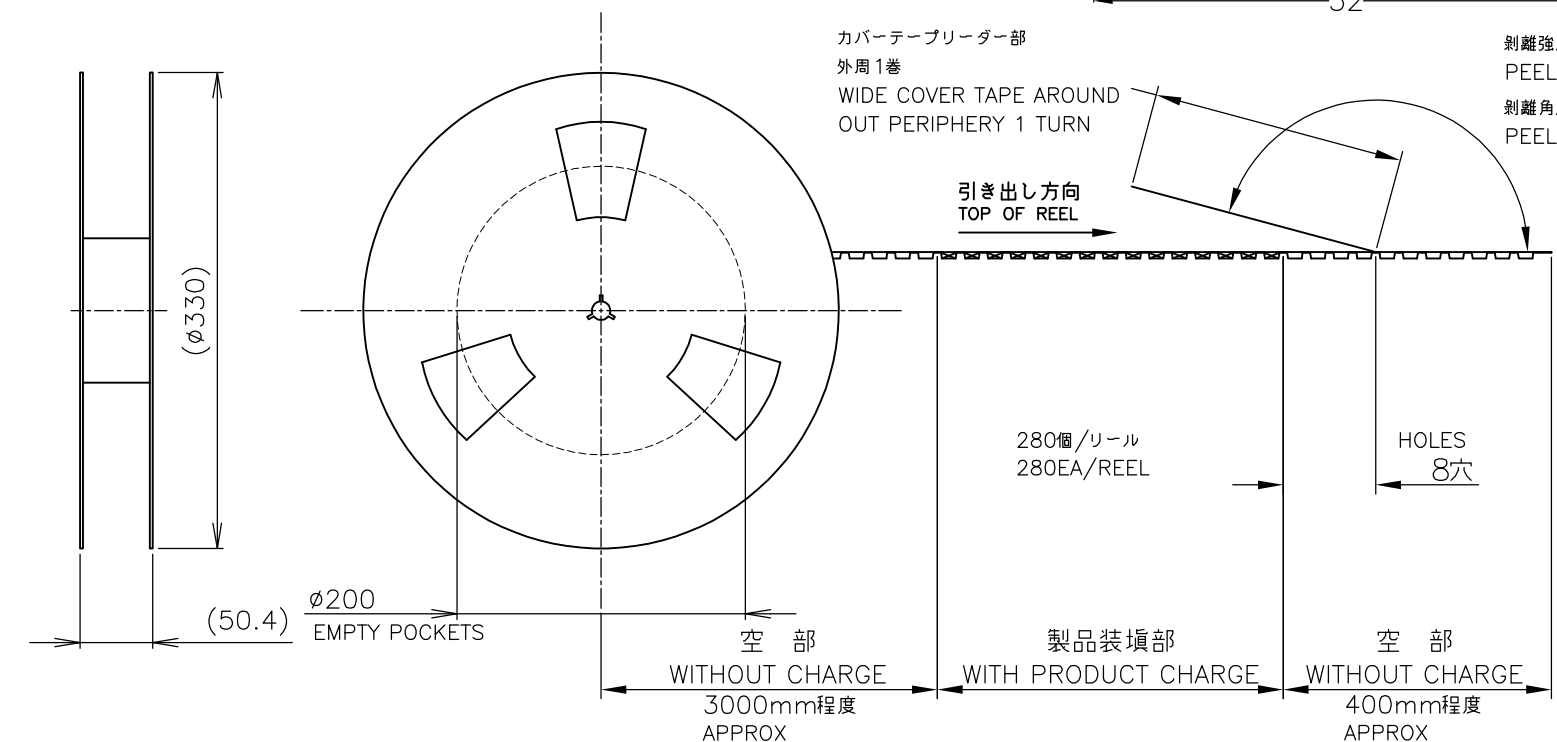
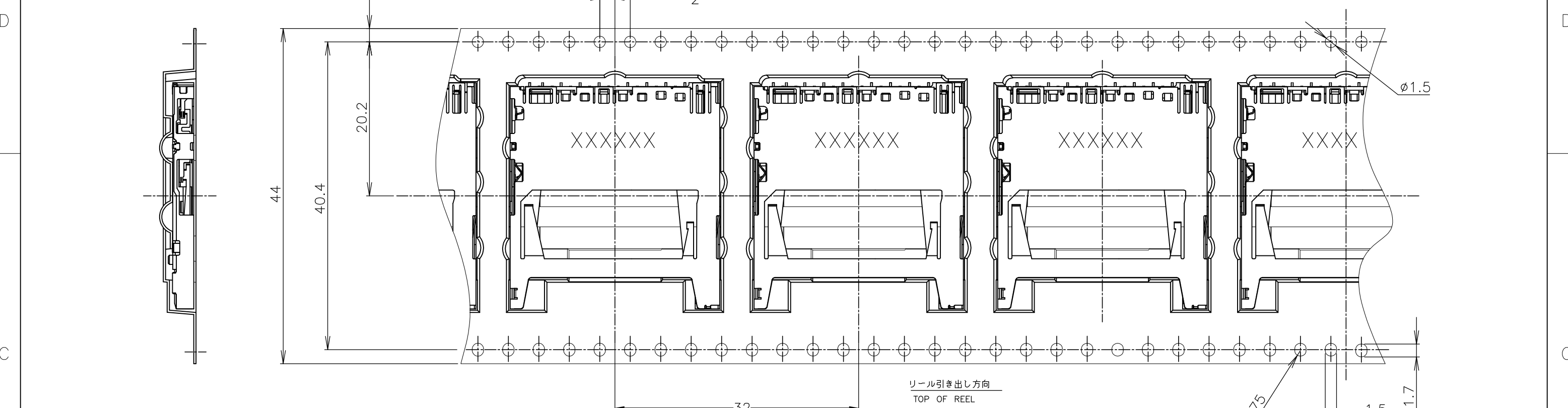
P	LTR	DESCRIPTION	DATE	DWN	APVD
-	-	SEE SHEET 1	-	-	-



THIS DRAWING IS A CONTROLLED DOCUMENT.		DWN	-	<b>STE</b> TE Connectivity													
		CHK	-														
DIMENSIONS: 単位: 耗 MM		TOLERANCES UNLESS OTHERWISE SPECIFIED: 一般公差		NAME 名称													
<table border="1"> <tr><td>0 PLC</td><td>± 0.3</td></tr> <tr><td>1 PLC</td><td>± 0.3</td></tr> <tr><td>2 PLC</td><td>± 0.3</td></tr> <tr><td>3 PLC</td><td>± 0.3</td></tr> <tr><td>4 PLC</td><td>± 0.3</td></tr> <tr><td>ANGLES</td><td>± 3'</td></tr> </table>		0 PLC	± 0.3	1 PLC	± 0.3	2 PLC	± 0.3	3 PLC	± 0.3	4 PLC	± 0.3	ANGLES	± 3'			SD MEMORY CARD CONNECTOR PUSH PUSH TYPE	
0 PLC	± 0.3																
1 PLC	± 0.3																
2 PLC	± 0.3																
3 PLC	± 0.3																
4 PLC	± 0.3																
ANGLES	± 3'																
MATERIAL 材料		FINISH 仕上		RESTRICTED TO 番号													
		WEIGHT 0.2		SIZE A3	CAGE CODE 00779												
		CUSTOMER DRAWING		DRAWING NO G-2013357													
		SCALE 尺度 3:1		SHEET 2 OF 3	REV C												

THIS DRAWING IS UNPUBLISHED. RELEASED FOR PUBLICATION MAR , 2003.  
 © COPYRIGHT 2004 Tyco Electronics JAPAN G.K. ALL RIGHTS RESERVED.

REVISIONS		DESCRIPTION	DATE	DWN	APVD
P	LTR				
-	-	SEE SHEET 1	-	-	-



THIS DRAWING IS A CONTROLLED DOCUMENT.		DWN	-	TE Connectivity													
DIMENSIONS: 単位: 耗 MM		CHK	-			NAME 名称											
TOLERANCES UNLESS OTHERWISE SPECIFIED: 一般公差		APVD	-			SD MEMORY CARD CONNECTOR PUSH PUSH TYPE											
<table border="1"> <tr><td>0 PLC</td><td>± 0.3</td></tr> <tr><td>1 PLC</td><td>± 0.3</td></tr> <tr><td>2 PLC</td><td>± 0.3</td></tr> <tr><td>3 PLC</td><td>± 0.3</td></tr> <tr><td>4 PLC</td><td>± 0.3</td></tr> <tr><td>ANGLES</td><td>± 3'</td></tr> </table>		0 PLC	± 0.3	1 PLC	± 0.3	2 PLC	± 0.3	3 PLC	± 0.3	4 PLC	± 0.3	ANGLES	± 3'	PRODUCT SPEC	-	SIZE	
0 PLC	± 0.3																
1 PLC	± 0.3																
2 PLC	± 0.3																
3 PLC	± 0.3																
4 PLC	± 0.3																
ANGLES	± 3'																
MATERIAL 材料		APPLICATION SPEC	-	CAGE CODE	DRAWING NO												
FINISH 仕上		取付適用規格	-	A300779	G-2013357												
WEIGHT		0.2	RESTRICTED TO		-												
CUSTOMER DRAWING		SCALE 尺度	NTS	SHEET	3 OF 3												
				REV	C												

## X-ON Electronics

Largest Supplier of Electrical and Electronic Components

*Click to view similar products for [DIMM Connectors](#) category:*

*Click to view products by [TE Connectivity](#) manufacturer:*

Other Similar products are found below :

[1-1932649-2](#) [1-1761024-0](#) [2309411-5](#) [296409204002856+](#) [10116658-252ASLF](#) [5390471-1](#) [2309413-3](#) [78507-0061](#) [KIT-SODIMM-1X16GB/01](#) [10129206-0010013LF](#) [10086891-052TSLF](#) [10079192-11102LF](#) [10116658-152FSLF](#) [10129206-0011113LF](#) [1-2308107-0](#) [2013310-1](#) [2013289-1](#) [390111-1](#) [390112-1](#) [2309413-1](#) [2309407-1](#) [2309414-1](#) [10081530-12208LF](#) [151080-0001](#) [78726-1004](#) [10005639-11107LF](#) [10005639-11109LF](#) [10005639-12207LF](#) [10023061-10207LF](#) [10033853-252FSLF](#) [10033853-052ASLF](#) [10033853-052FSLF](#) [10033853-152FSLF](#) [10033854-052FSLF](#) [10034542-10002LF](#) [10037402-12207LF](#) [10081530-11107LF](#) [10081530-12207LF](#) [10081530-12218LF](#) [10124632-0030001LF](#) [10124806-01006LF](#) [10145891-0320J13LF](#) [10145226-0241N13LF](#) [59354-052FSLF](#) [59355-052FSLF](#) [DDR4288S0211TF](#) [DDR4288S0511H](#) [DDR4288S0511TF](#) [DDR4288V0123TF](#) [DDR4288V0213TF](#)