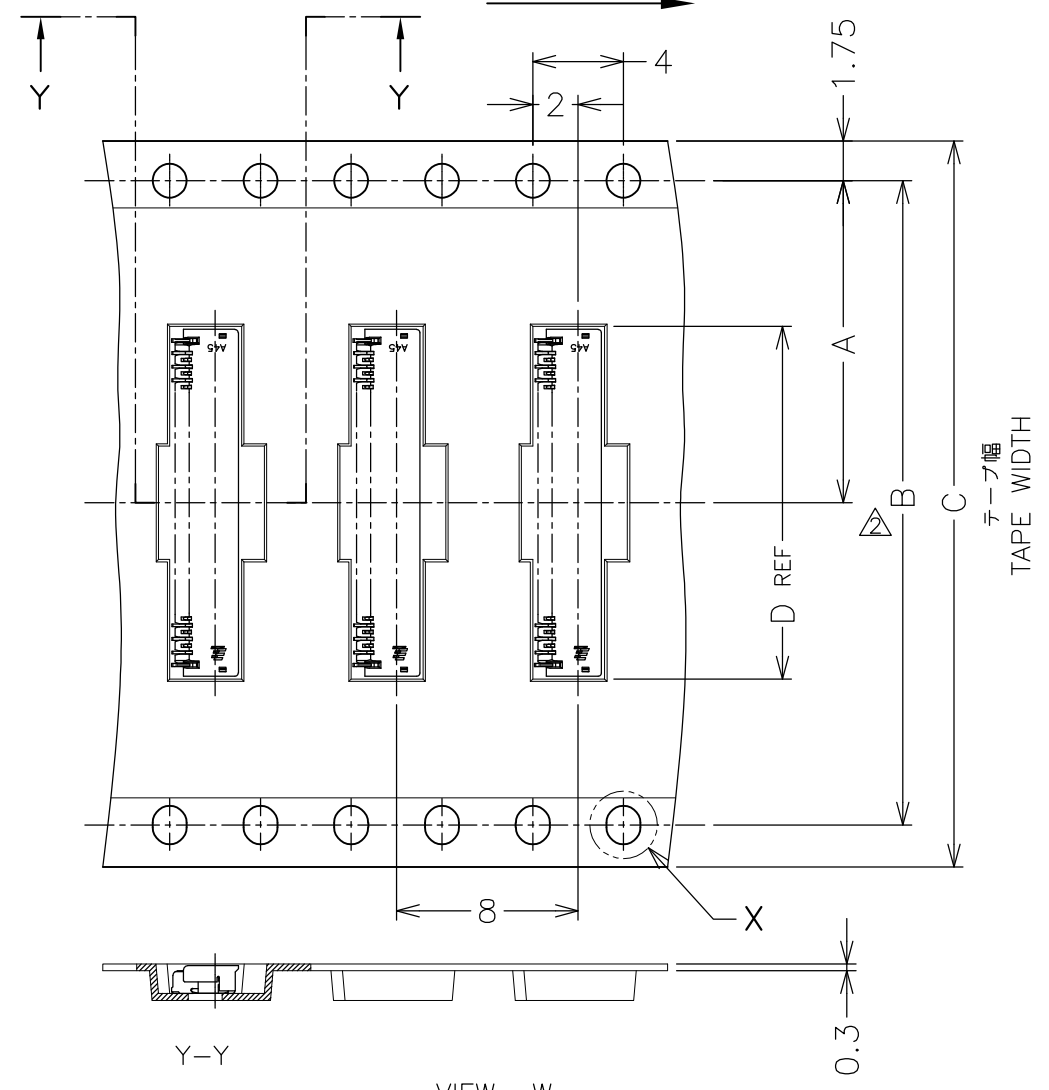


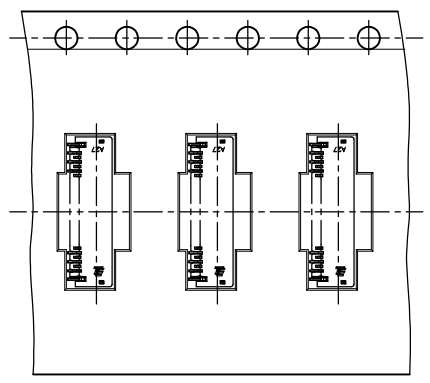
THIS DRAWING IS UNPUBLISHED. RELEASED FOR PUBLICATION
 © COPYRIGHT - By - ALL RIGHTS RESERVED.

LOC	DIST	REVISIONS					
		P	LTR	DESCRIPTION	DATE	DWN	APVD
J	-		E	REVISED PER ECR-11-008941	28JUL11	T.T	T.M

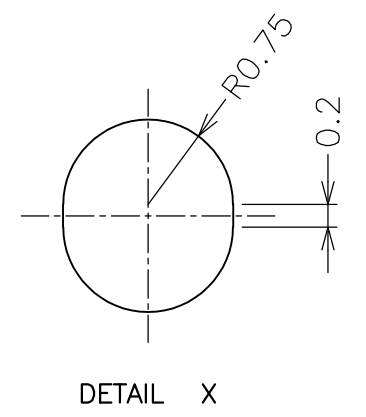
リール引出し方向
DIRECTION OFF TOP OF REEL



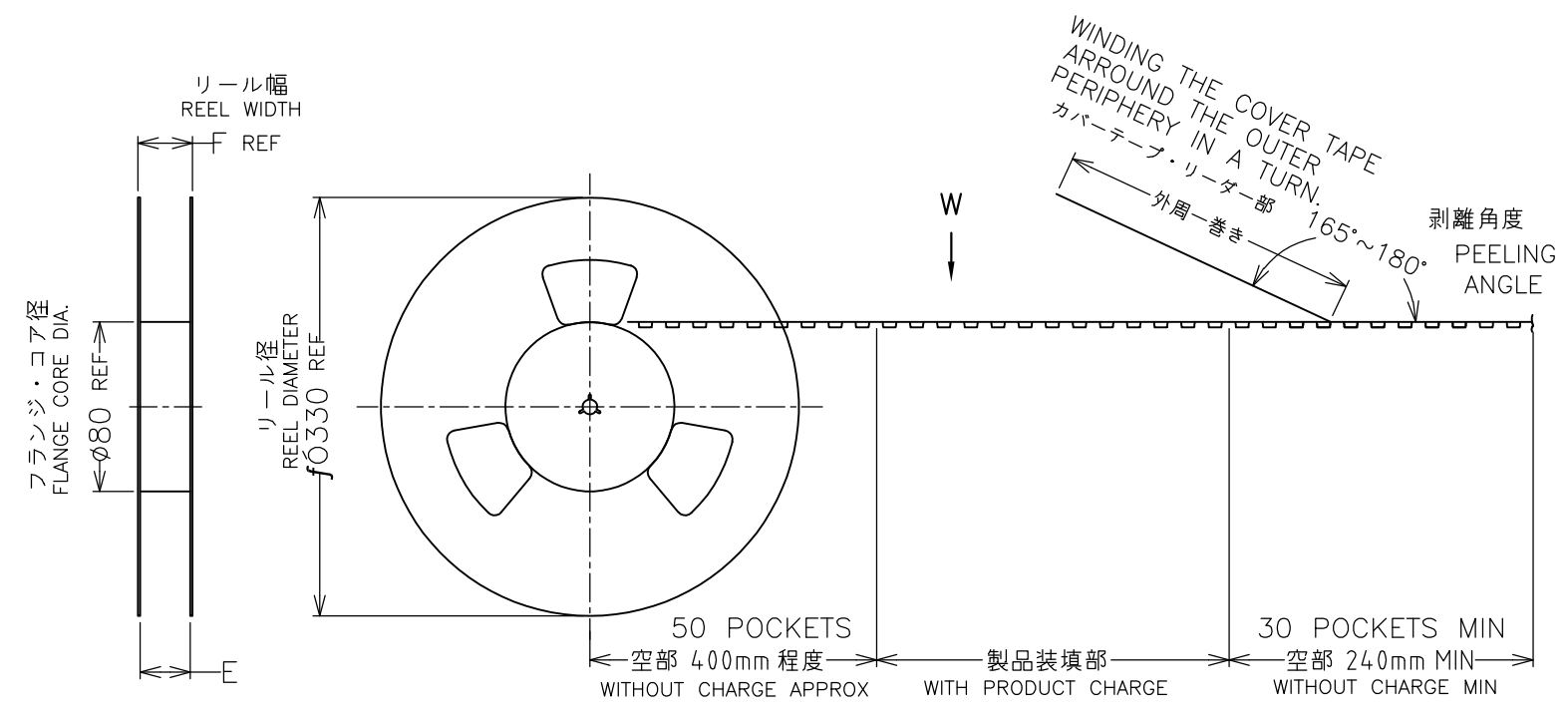
VIEW W
テープ幅 32mm以上に適用
APPLIED TAPE WIDTH 32MM, MORE.



VIEW W
テープ幅 12mm, 16mm, 24mm に適用
APPLIED TAPE WIDTH 12MM, 16MM AND 24MM.



DETAIL X



WINDING THE COVER TAPE
AROUND THE OUTER
PERIPHERY IN A TURN.
カバーテープ・リーダー部
外周巻き
剥離角度
165~180°
PEELING
ANGLE

- △ GENERAL TOLERANCE
10 ≥ : ±0.2
30 ≥ > 10: ±0.25
100 ≥ > 30: ±0.3
ANGLES: ±3°
- △ DIM. B AND DETAIL "X" APPLIED
TAPE WIDE, 32mm MORE.
- △ 一般公差
10以下: ±0.2
10を越え 30以下: ±0.25
30を越え 100以下: ±0.3
角度: ±3°
- △ B寸法及び"X"詳細図は、
テープ幅 32mm以上に適用

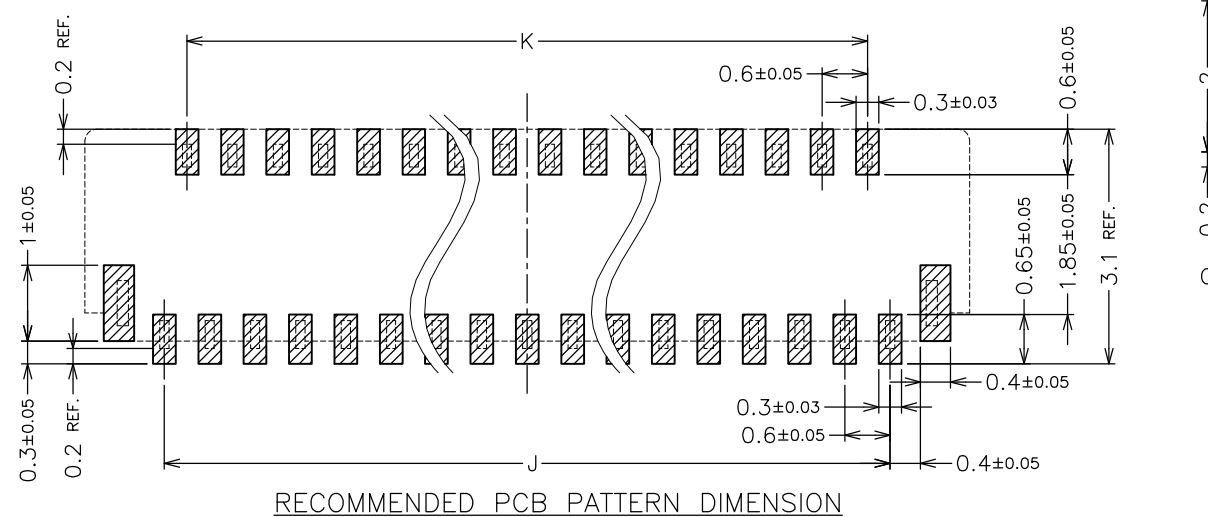
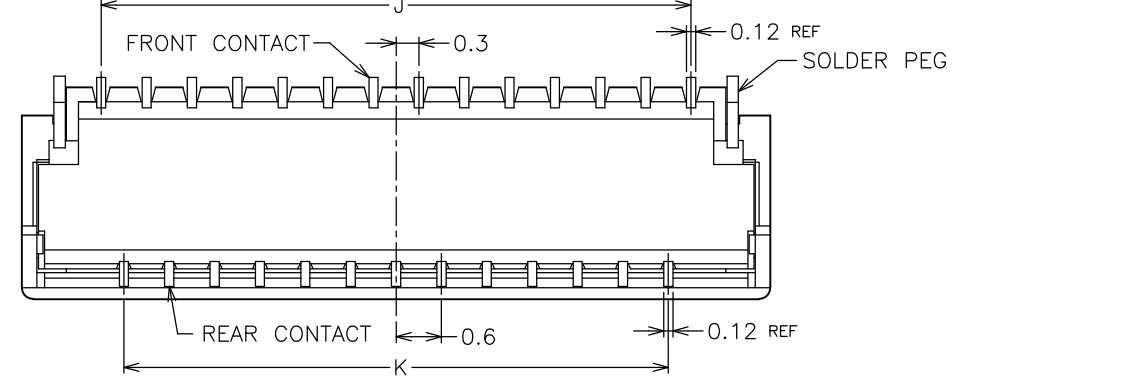
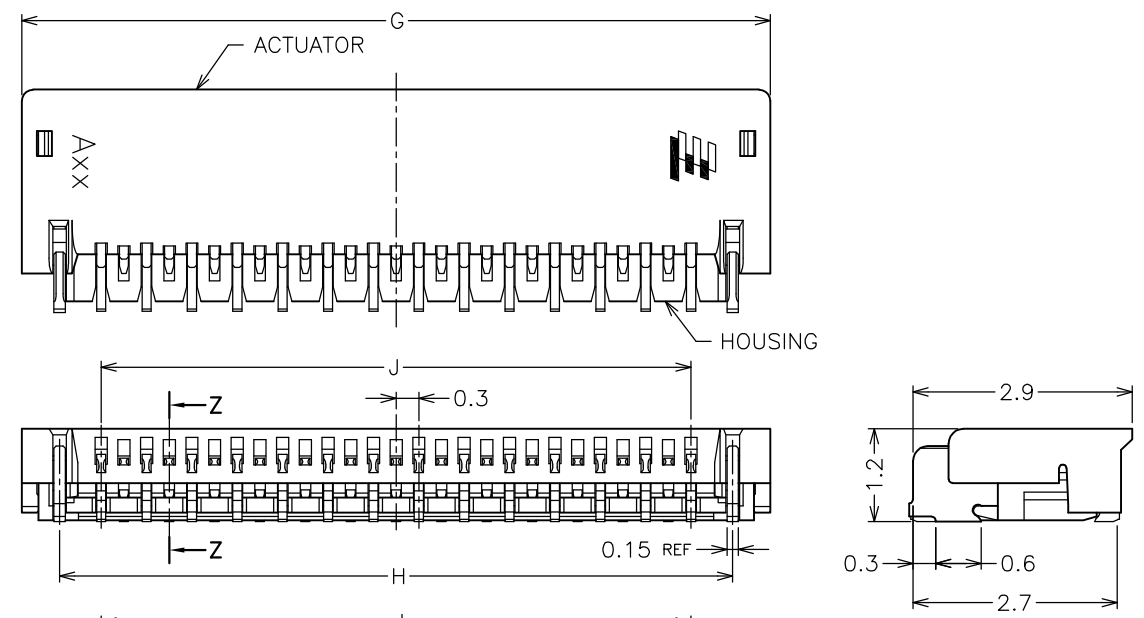
OBSOLETE	AVAILABLE	0.102g	30.4	24.4	17.35	24	—	11.5	4000	51	2-2013496-1
	AVAILABLE	0.090g	30.4	24.4	15.55	24	—	11.5	4000	45	1-2013496-8
	AVAILABLE	0.083g	30.4	24.4	14.35	24	—	11.5	4000	41	1-2013496-6
	AVAILABLE	0.080g	30.4	24.4	13.75	24	—	11.5	4000	39	1-2013496-5
	AVAILABLE	0.066g	30.4	24.4	11.35	24	—	11.5	4000	31	1-2013496-1
	AVAILABLE	0.062g	30.4	24.4	10.75	24	—	11.5	4000	29	1-2013496-0
	AVAILABLE	0.059g	30.4	24.4	10.15	24	—	11.5	4000	27	2013496-9
OBSOLETE	AVAILABLE	0.048g	22.4	16.4	8.35	16	—	7.5	4000	21	2013496-6
	STATUS	CONNECTOR WEIGHT	F	E	D	C	B	A	数量 (ヶ)	POS.(N)	EMBOSS TAPE PACKAGING PART NUMBER
			DIMENSIONS						QTY/REEL		

THIS DRAWING IS A CONTROLLED DOCUMENT.

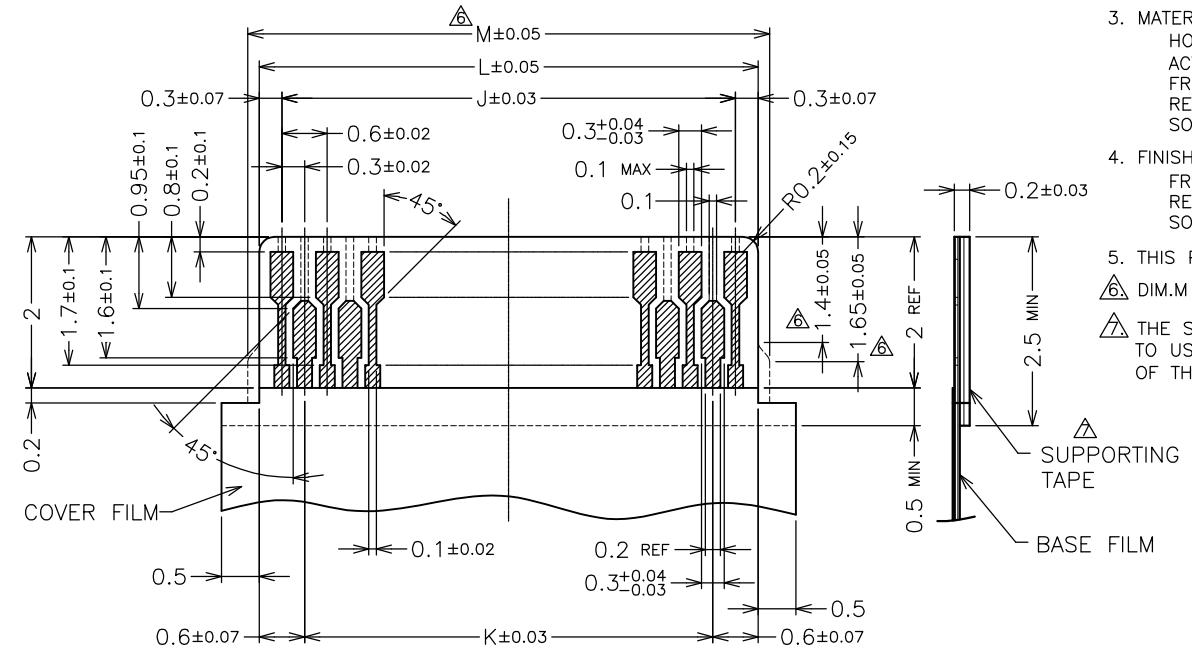
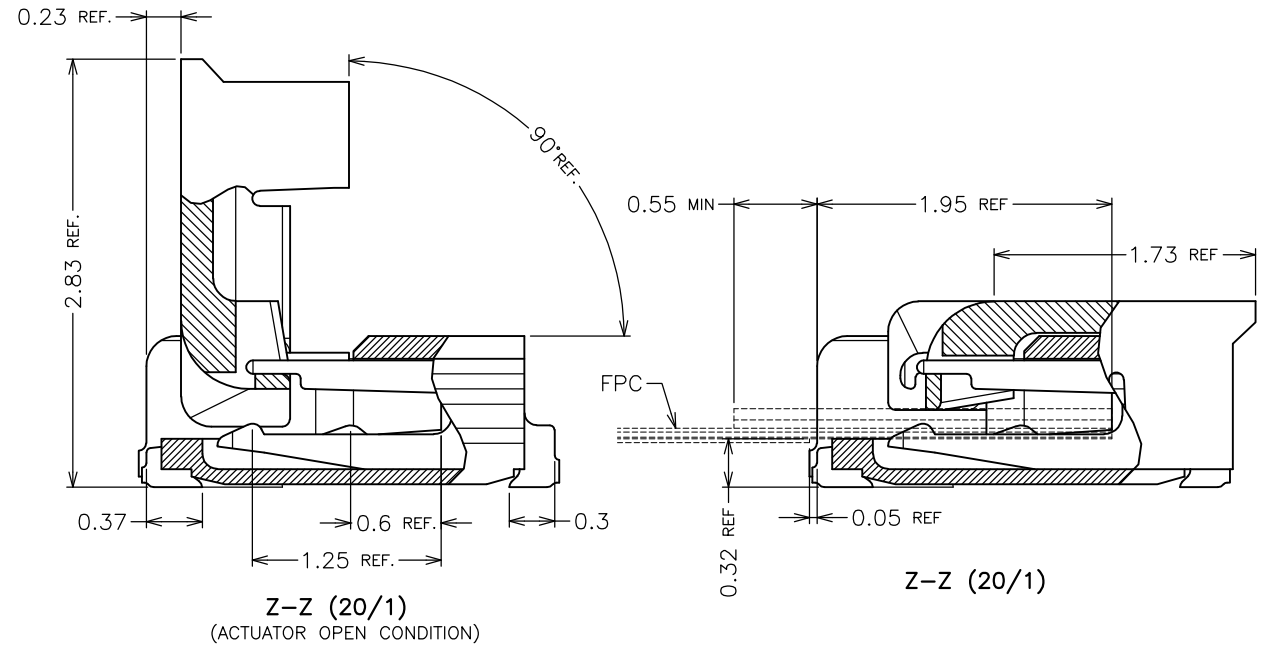
DIMENSIONS: mm	TOLERANCES UNLESS OTHERWISE SPECIFIED: 0 PLC ± 0.3 1 PLC ± 0.3 2 PLC ± 0.3 3 PLC ± 0.3 4 PLC ± 0.3 ANGLES ± 3°	DWN Y.KODAIRA 29NOV2007 CHK T.KUSUHARA 29NOV2007 APVD T.KUSUHARA 29NOV2007 PRODUCT SPEC 108-78351 APPLICATION SPEC 411-78302 WEIGHT SEE TABLE	NAME 0.3FPC Narrow BF-L-1.2H 1.2mmH, 2.9mmW, GOLD PLATE
MATERIAL SEE NOTE 3	FINISH SEE NOTE 4	SIZE A3 CAGE CODE 00779 DRAWING NO C-2013496	RESTRICTED TO
CUSTOMER DRAWING		SCALE 10:1	SHEET 1 OF 2

THIS DRAWING IS UNPUBLISHED. RELEASED FOR PUBLICATION
 © COPYRIGHT - By - ALL RIGHTS RESERVED.

LOC	DIST	REVISIONS					
J	-	P	LTR	DESCRIPTION	DATE	DWN	APVD
		-		SEE SHEET 1	-	-	-



RECOMMENDED PCB PATTERN DIMENSION



RECOMMENDED FPC PATTERN DIMENSION
 CONDUCTOR : GOLD OVER NICKEL PLATING (Au 0.1μm MIN.)

- MATERIAL**
 HOUSING : GRASS FULLED LCP, UL94V-0 (COLOR : NATURAL)
 ACTUATOR : GRASS FULLED PPS, UL94V-0 (COLOR : BLACK)
 FRONT CONTACT : COPPER ALLOY
 REAR CONTACT : COPPER ALLOY
 SOLDER PEG : COPPER ALLOY
- FINISH**
 FRONT CONTACT : GOLD OVER NICKEL PLATING
 REAR CONTACT : GOLD OVER NICKEL PLATING
 SOLDER PEG : TIN OVER NICKEL PLATING
- THIS PRODUCT IS THE NICKEL DAM TYPE.**
 DIM.M IS APPLIED BELOW 25PINS.
 THE SUPPORTING TAPE OF FPC IS RECOMMENDED TO USE THE POLYIMIDE OR THE EQUIVALENT MATERIAL OF THE THICKNESS OF 50um OR MORE.

- 材質**
 ハウジング : ガラス繊維入りLCP樹脂 UL94V-0 (色:乳白色)
 アクチュエーター : ガラス繊維入りPPS樹脂 UL94V-0 (色:黒)
 フロントコンタクト : 銅合金
 リアコンタクト : 銅合金
 ソルダーペグ : 銅合金
- めっき**
 フロントコンタクト : 金めっき (ニッケル下地めっき)
 リアコンタクト : 金めっき (ニッケル下地めっき)
 ソルダーペグ : スズめっき (ニッケル下地めっき)
- 本品は、Niダム仕様のコネクタである。**
 DIM.Mは、25POS.以下に適用。
 FPCの補強板には、厚さ50μm以上のポリイミドまたは相当材の使用を推奨する。

—	15.6	14.4	15.0	16.1	17.1	51	2-2013496-4
—	13.8	12.6	13.2	14.3	15.3	45	1-2013496-8
—	12.6	11.4	12.0	13.1	14.1	41	1-2013496-6
—	12.0	10.8	11.4	12.5	13.5	39	1-2013496-5
—	9.6	8.4	9.0	10.1	11.1	31	1-2013496-1
—	9.0	7.8	8.4	9.5	10.5	29	1-2013496-0
—	8.4	7.2	7.8	8.9	9.9	27	2013496-9
6.9	6.6	5.4	6.0	7.1	8.1	21	2013496-6
M	L	K	J	H	G	POS.	CONN. PART No.

THIS DRAWING IS A CONTROLLED DOCUMENT.

DIMENSIONS: mm	TOLERANCES UNLESS OTHERWISE SPECIFIED: 0 PLC ± 0.3 1 PLC ± 0.3 2 PLC ± 0.3 3 PLC ± 0.3 4 PLC ± 0.3 ANGLES ± 3°	DWN CHK APVD PRODUCT SPEC APPLICATION SPEC WEIGHT	TE Connectivity NAME 0.3FPC Narrow BF-L-1.2H 1.2mmH, 2.9mmW, GOLD PLATE	
MATERIAL SEE NOTE 3	FINISH SEE NOTE 4	CUSTOMER DRAWING	SIZE A3	CAGE CODE 00779
		DRAWING NO C-2013496	RESTRICTED TO	
		SCALE 10:1	SHEET 2 OF 2	REV E

X-ON Electronics

Largest Supplier of Electrical and Electronic Components

Click to view similar products for [FFC & FPC Connectors](#) category:

Click to view products by [TE Connectivity](#) manufacturer:

Other Similar products are found below :

[FPH-1422G](#) [FPH-1602G](#) [K-FC20](#) [FH29B-80S-0.2SHW\(99\)](#) [FPH-2022G](#) [AYF332735](#) [52610-1075](#) [52610-1275](#) [52610-1934](#) [501864-3091-TR225](#) [086222026001800](#) [52610-0675](#) [62684-36210E9ALF](#) [52746-1671-TR250](#) [10051922-2810EHLF](#) [6-520415-9](#) [SFV6R-1STE9HLF](#) [XF3M-2915-1B-R100](#) [1658549-1](#) [AYF534065TA](#) [AYF351525](#) [086212040340800+](#) [67000-014LF](#) [67000-004LF](#) [006207341915000+](#) [DS1020-19RT1D](#) [67000-003LF](#) [67000-011LF](#) [67000-016LF](#) [HFW14R-2STE9LF](#) [SFV32R-2STBE9HLF](#) [SFW12R-5STE9LF](#) [SFW18R-1STAE9LF](#) [SFW4R-5STE9LF](#) [52807-0430](#) [046283021002868+](#) [THD1015-8CL-SN](#) [67000-006LF](#) [502250-8027](#) [104267-9617](#) [66987-011LF](#) [AYF362535](#) [F0501-T-50-20T-R](#) [F1003-ZV-12-25T-R](#) [HFW8S-2STAE1HLF](#) [67000-008LF](#) [67000-012LF](#) [ECC576069EU](#) [F1002-B-20-20T-R](#) [HFW15S-2STAE1HLF](#)