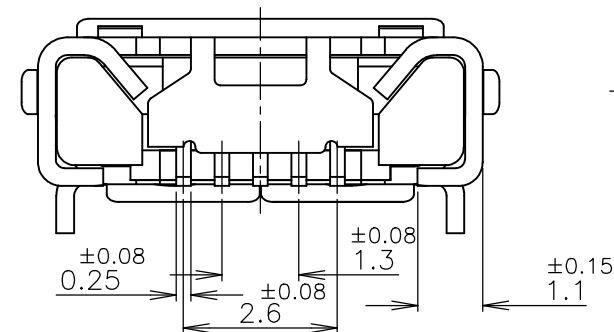
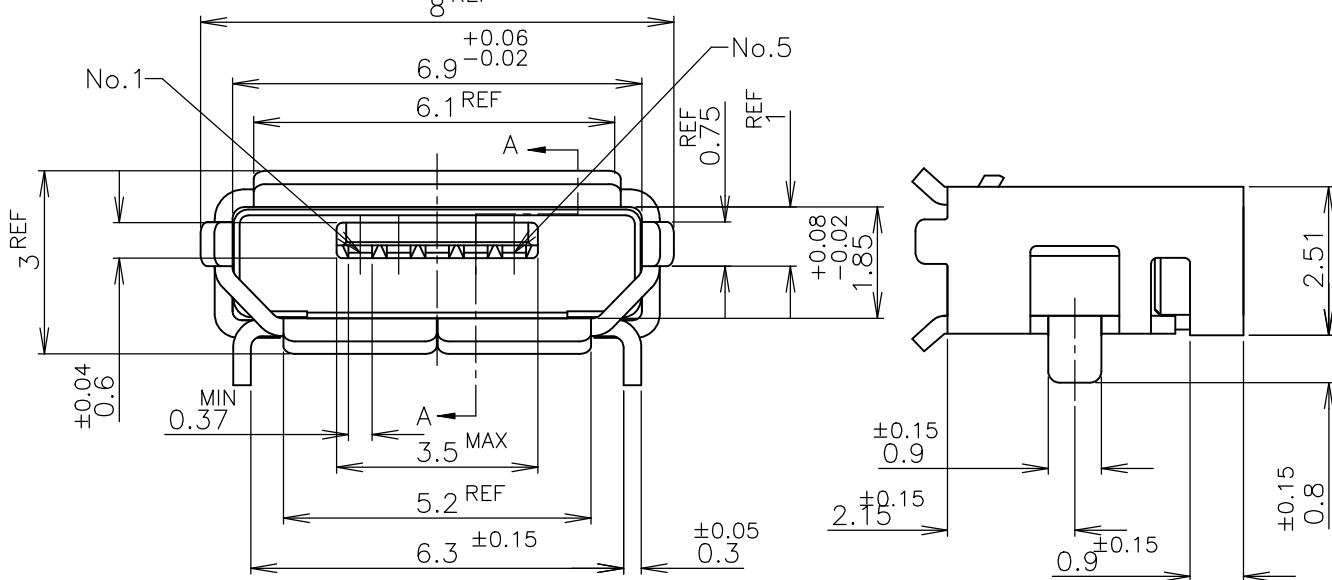
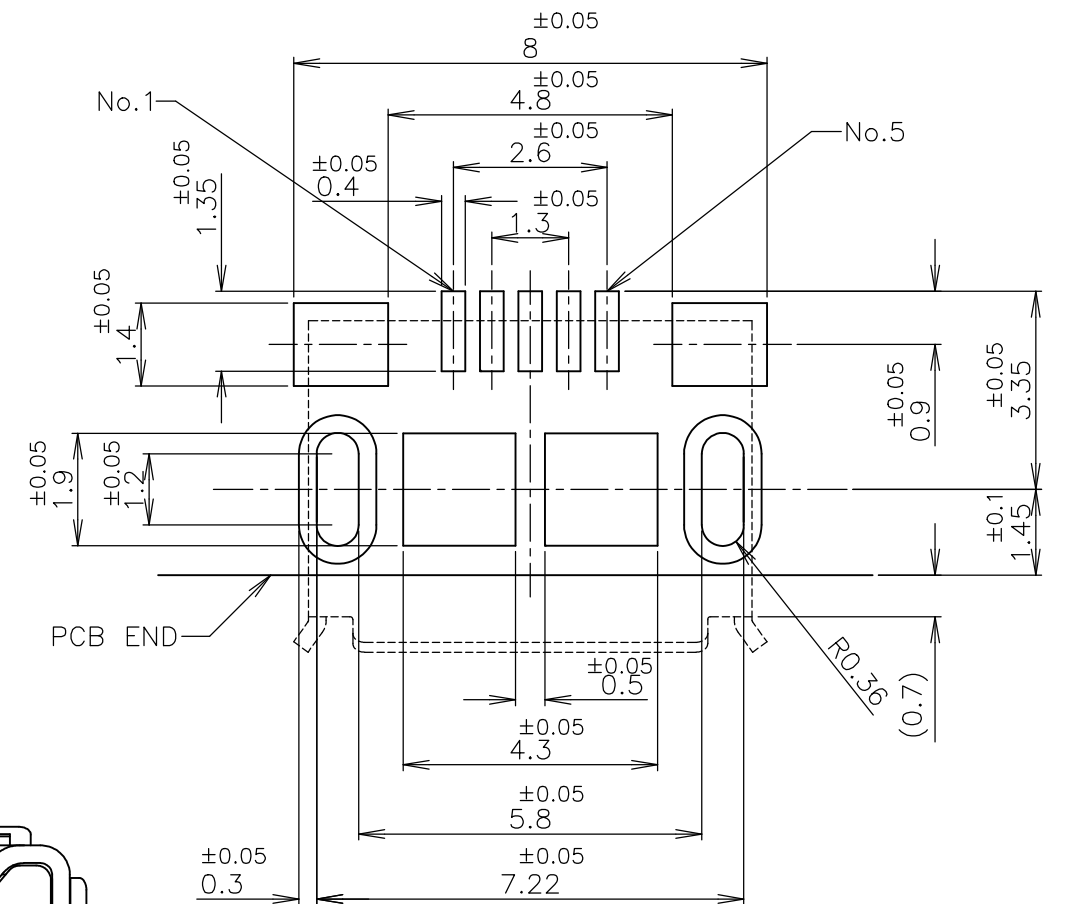
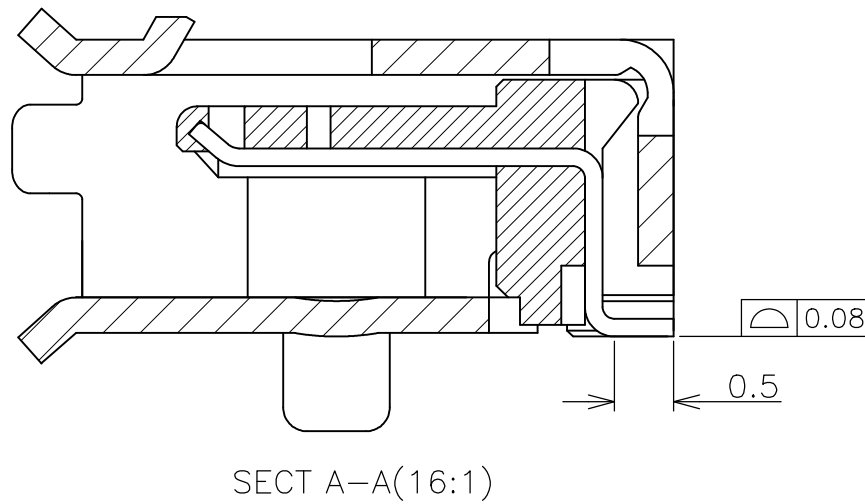
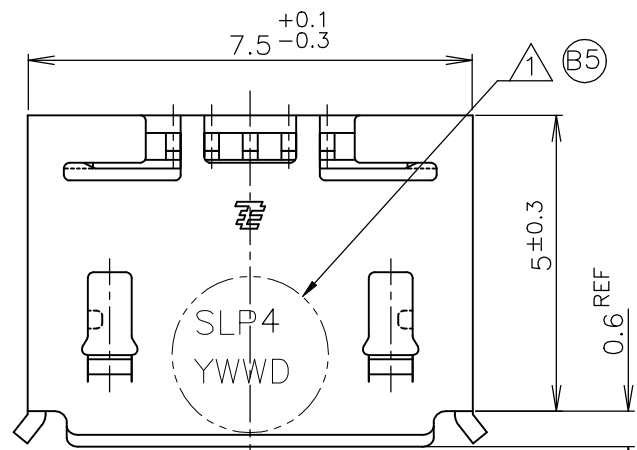


P	LTR	DESCRIPTION	DATE	DWN	APVD
	B5	REVISED PER ECO-19-005243	04APR2019	T.Z	S.L



PCB LAYOUT(REFERENCE)  
(VIEWED FROM CONNECTOR MOUNT SIDE)

- △ DATE CODE MARKING
- 2. OVERALL TOLERANCE: ±0.2
- 3. MATERIAL HOUSING : THERMOPLASTIC RESIN UL94V-0  
CONTACT : COPPER ALLOY  
SHELL : STAINLESS STEEL
- 4. FINISH CONTACT : Ni UNDER PL  
Au PL OVER Ni PL AT CONTACT AREA  
SHELL : Ni UNDER PL  
Sn PL

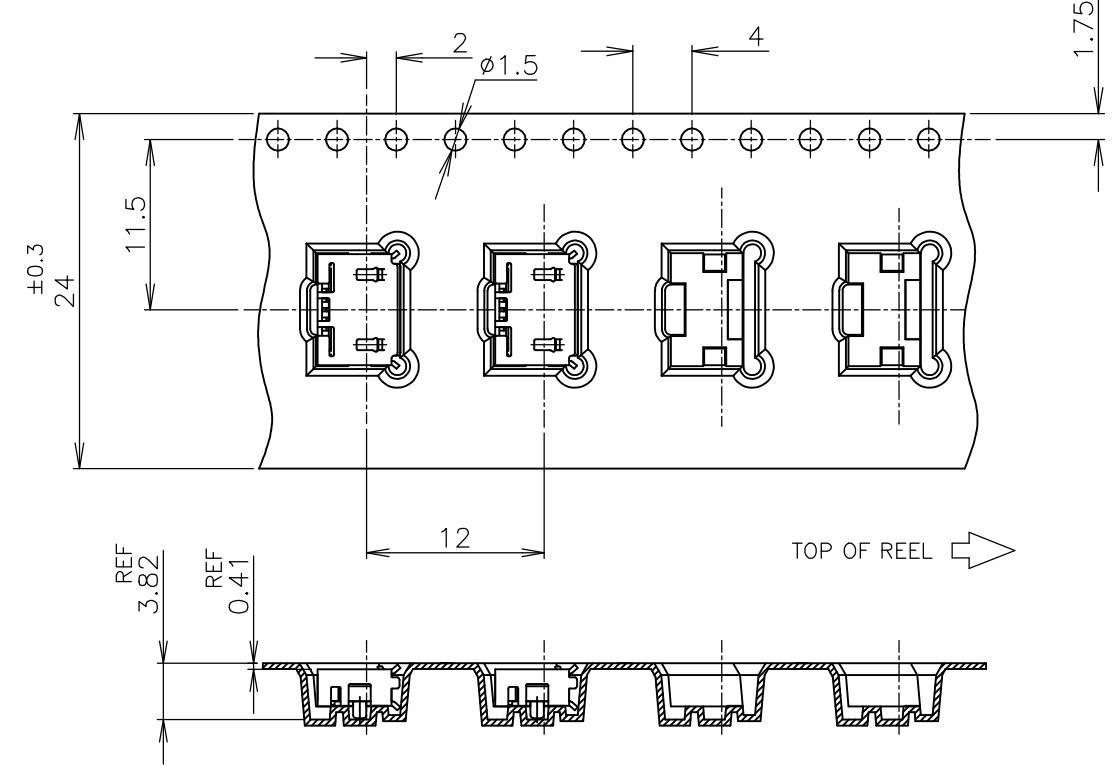
SEE SHEET 3	2013499-3
SEE SHEET 2	2013499-1
PACKAGING	PART NUMBER

THIS DRAWING IS A CONTROLLED DOCUMENT.		DWN	22OCT2007		<b>TE Connectivity Ltd.</b>
		CHK	22OCT2007		
		APVD	22OCT2007		
		NAME	T.KUSUHARA		
DIMENSIONS: 単位: 耗 MM		TOLERANCES UNLESS OTHERWISE SPECIFIED: 一般公差		PRODUCT SPEC 製品規格	<b>MICRO USB RECEPTACLE DIP TYPE B ASSY</b>
		0 PLC ± 0.2 1 PLC ± 0.2 2 PLC ± 0.2 3 PLC ± 0.2 4 PLC ± 0.2 ANGLES ± 10		108-78434	
MATERIAL 材料		FINISH 仕上		APPLICATION SPEC 取付適用規格	RESTRICTED TO
		WEIGHT		SIZE	A3 00779  2013499
		CUSTOMER DRAWING		CAGE CODE	
				DRAWING NO	SCALE
				番号	8:1
				REV	SHEET
				B5	1 of 3

4 3 2 1

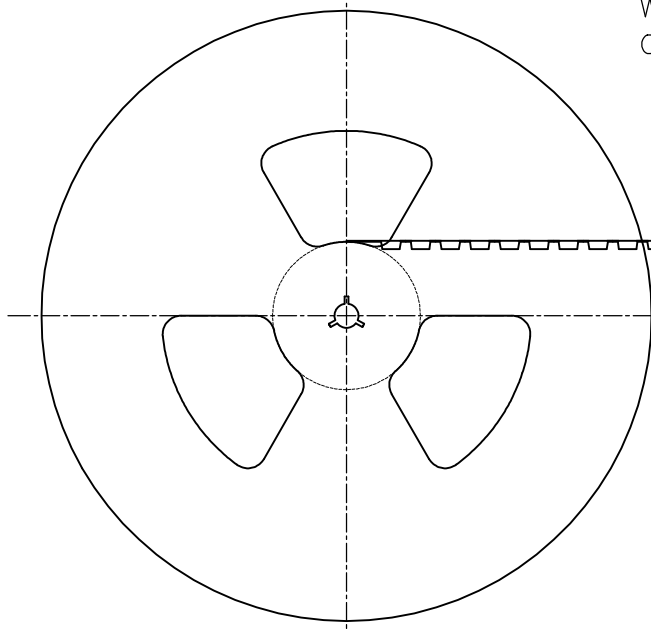
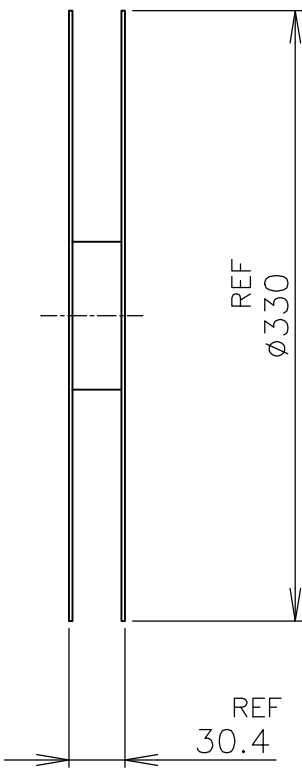
THIS DRAWING IS UNPUBLISHED. RELEASED FOR PUBLICATION JAN ,2007.  
 © COPYRIGHT 2007 By - ALL RIGHTS RESERVED.

REVISIONS				
P	LTR	DESCRIPTION	DATE	APVD
-	-	SEE SHEET 1	-	-



D  
C  
B  
A

D  
C  
B  
A



カバーテープリーダー部  
 外周1巻  
 WIDE COVER TAPE AROUND  
 OUT PERIPHERY 1 TURN  
 剥離強度 0.1-1.3N MAX(300±10mm/min)  
 PEELING STRENGTH  
 剥離強度 165~180°  
 PEELING ANGLE

引き出し方向  
 TOP OF REEL

1000個/リール  
 1000EA/REEL

HOLES  
 8穴

空部 WITHOUT CHARGE 300mm程度 APPROX  
 製品装填部 WITH PRODUCT CHARGE  
 空部 WITHOUT CHARGE 600mm程度 APPROX

THIS DRAWING IS A CONTROLLED DOCUMENT.		DWN	TE Connectivity Ltd.		
DIMENSIONS: 単位: 耗 MM		CHK			
TOLERANCES UNLESS OTHERWISE SPECIFIED: 一般公差		APVD	NAME 名称		
0 PLC ± 0.2 1 PLC ± 0.2 2 PLC ± 0.2 3 PLC ± 0.2 4 PLC ± 0.2 ANGLES ± 10		PRODUCT SPEC 製品規格	MICRO USB RECEPTACLE DIP TYPE B ASSY		
MATERIAL 材料		FINISH 仕上	APPLICATION SPEC 取付適用規格	SIZE	RESTRICTED TO
			WEIGHT	CAGE CODE	DRAWING NO 番号
			CUSTOMER DRAWING	A3	00779
				C=2013499	SCALE 尺度 2:1
					SHEET 2 of 3
					REV B5

4

3

2

1

THIS DRAWING IS UNPUBLISHED.

RELEASED FOR PUBLICATION

MAY, 2007.

© COPYRIGHT 2007 By -

ALL RIGHTS RESERVED.

REVISIONS

変更

P	LTR	DESCRIPTION	DATE	DWN	APVD
-	-	SEE SHEET 1	-	-	-

Ⓑ4 2013499-3 AS SHOWN

カバーテープリーダー部  
外周1巻  
WIDE COVER TAPE AROUND  
OUT PERIPHERY 1 TURN

剥離強度 0.1-1.3N MAX(300±10mm/min)  
PEELING STRENGTH  
剥離強度 165~180°  
PEELING ANGLE

引き出し方向  
TOP OF REEL

空部  
WITHOUT CHARGE  
300mm程度  
APPROX

製品装填部  
WITH PRODUCT CHARGE  
750個/リール  
750EA/REEL

空部  
WITHOUT CHARGE  
600mm程度  
APPROX

HOLE 8穴

REF 30.4

REF 3.82

REF 0.41

REF 330

THIS DRAWING IS A CONTROLLED DOCUMENT.

DWN J.TSUJI 22OCT2007

CHK T.KUSUHARA 22OCT2007

APVD T.KUSUHARA 22OCT2007

PRODUCT SPEC

製品規格

APPLICATION SPEC

取付適用規格

WEIGHT

CUSTOMER DRAWING

TE Connectivity Ltd.

 NAME 名称  
 MICRO USB  
 RECEPTACLE DIP TYPE B  
 ASSY

 SIZE A3  
 CAGE CODE 00779  
 DRAWING NO 番号  
 C-2013499  
 RESTRICTED TO -

 SCALE 尺度 8:1  
 SHEET 3 OF 3  
 REV B5
DIMENSIONS:  
単位: 耗  
MMTOLERANCES UNLESS  
OTHERWISE SPECIFIED:  
一般公差


 0 PLC ± 0.2  
 1 PLC ± 0.2  
 2 PLC ± 0.2  
 3 PLC ± 0.2  
 4 PLC ± 0.2  
 ANGLES ± 10
MATERIAL  
材料FINISH  
仕上

1470-19 (1/15)

## X-ON Electronics

Largest Supplier of Electrical and Electronic Components

*Click to view similar products for [USB Connectors](#) category:*

*Click to view products by [TE Connectivity](#) manufacturer:*

Other Similar products are found below :

[65-647-8-BK-BU](#) [950](#) [952](#) [E8144-B01021-L](#) [A-USB B-TOP-C](#) [MUSBA511N5](#) [MUSBD11135](#) [217450-1](#) [KMBVX-TH-5S-B30](#) [896-30-004-00-000000](#) [KUSBVX-BS1N-W30](#) [KUSBX-AP-KIT-SCBLK](#) [KUSBX-AS2N-W](#) [KUSBX-SMT2AP1S-W](#) [KUSBX-SMT2AP1S-W30](#) [935](#) [957](#) [30-498-6](#) [17-210051](#) [1734082-1](#) [30-1574](#) [30-470](#) [30-489](#) [30-541](#) [30-572-3](#) [A-USB A-2P-C](#) [MIKROE-1451](#) [USBFTV2PEM2G](#) [USBFTVC6ZN](#) [KUSBX-AS2N-W30](#) [KUSBX-SLAS1N-W](#) [KUSBX-SMT-AS1N-W30](#) [4689-1](#) [1-1734084-2](#) [E8110-001-01](#) [33UBARS1-04SW11](#) [33UBAR-04SW11](#) [USBF21ZNSCC](#) [USBBFTV6ZC](#) [10135326-001LF](#) [USB-A-S-F-B-VT](#) [925](#) [4198](#) [690-024-633-031](#) [KUSBEX-BSFS1N-W](#) [USBFTVC6MRG](#) [UA-20BMFA-SL8001](#) [17-250101](#) [USBFTVC7ZC](#) [USBFTV75NF459](#)