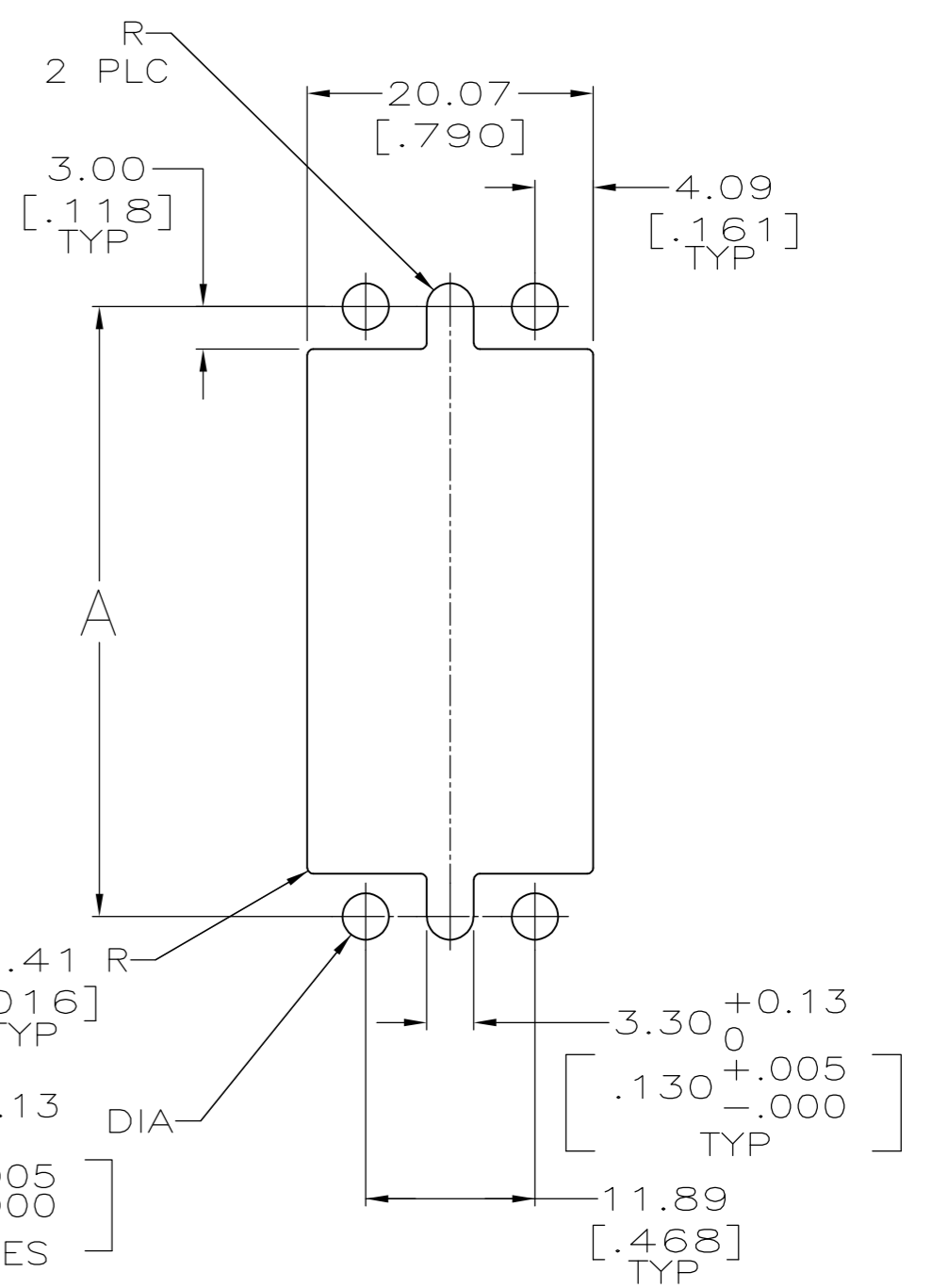
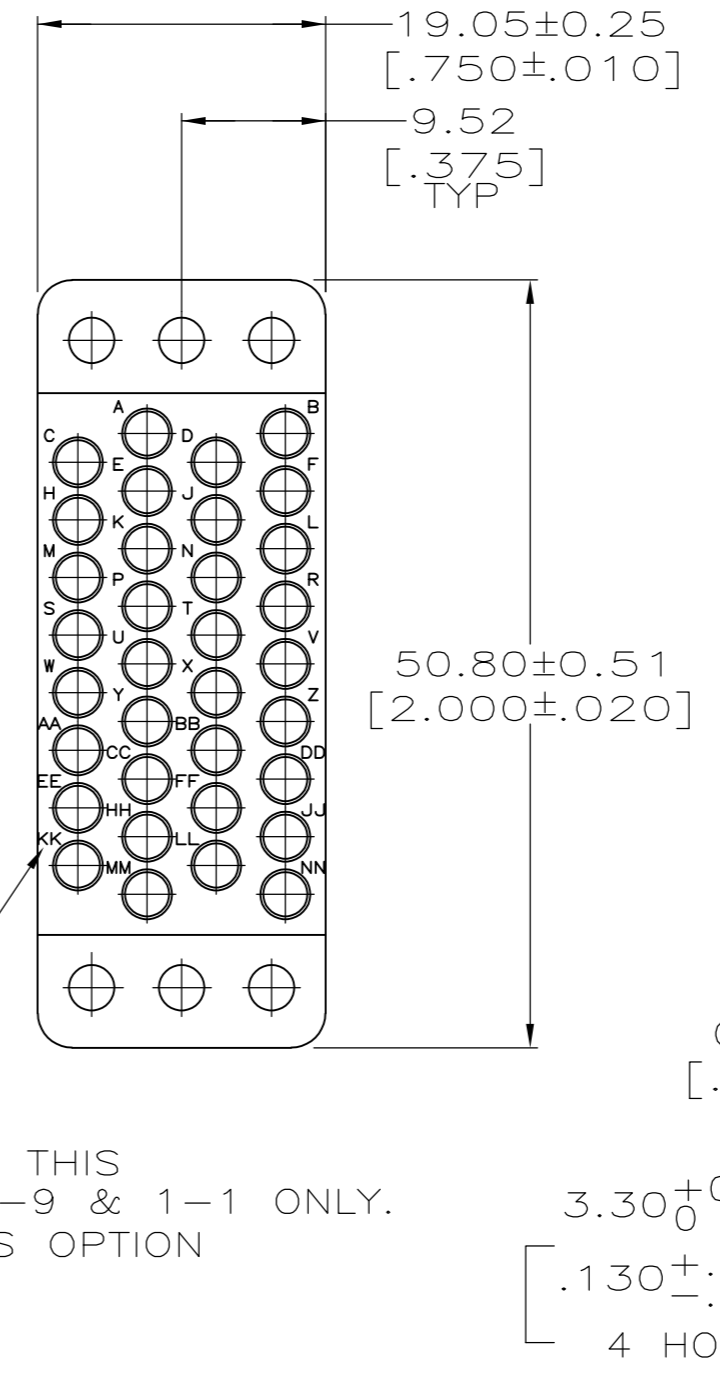
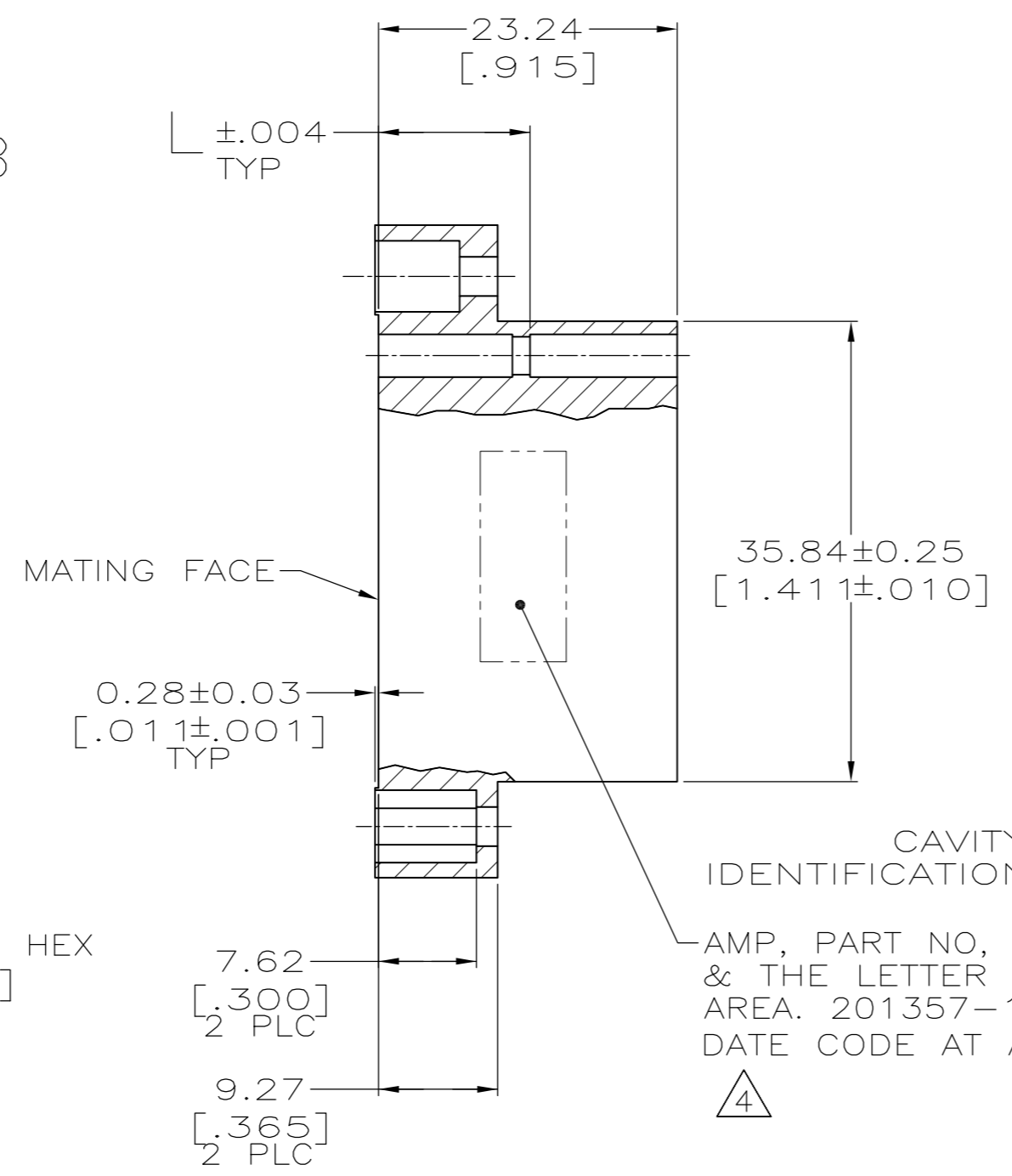
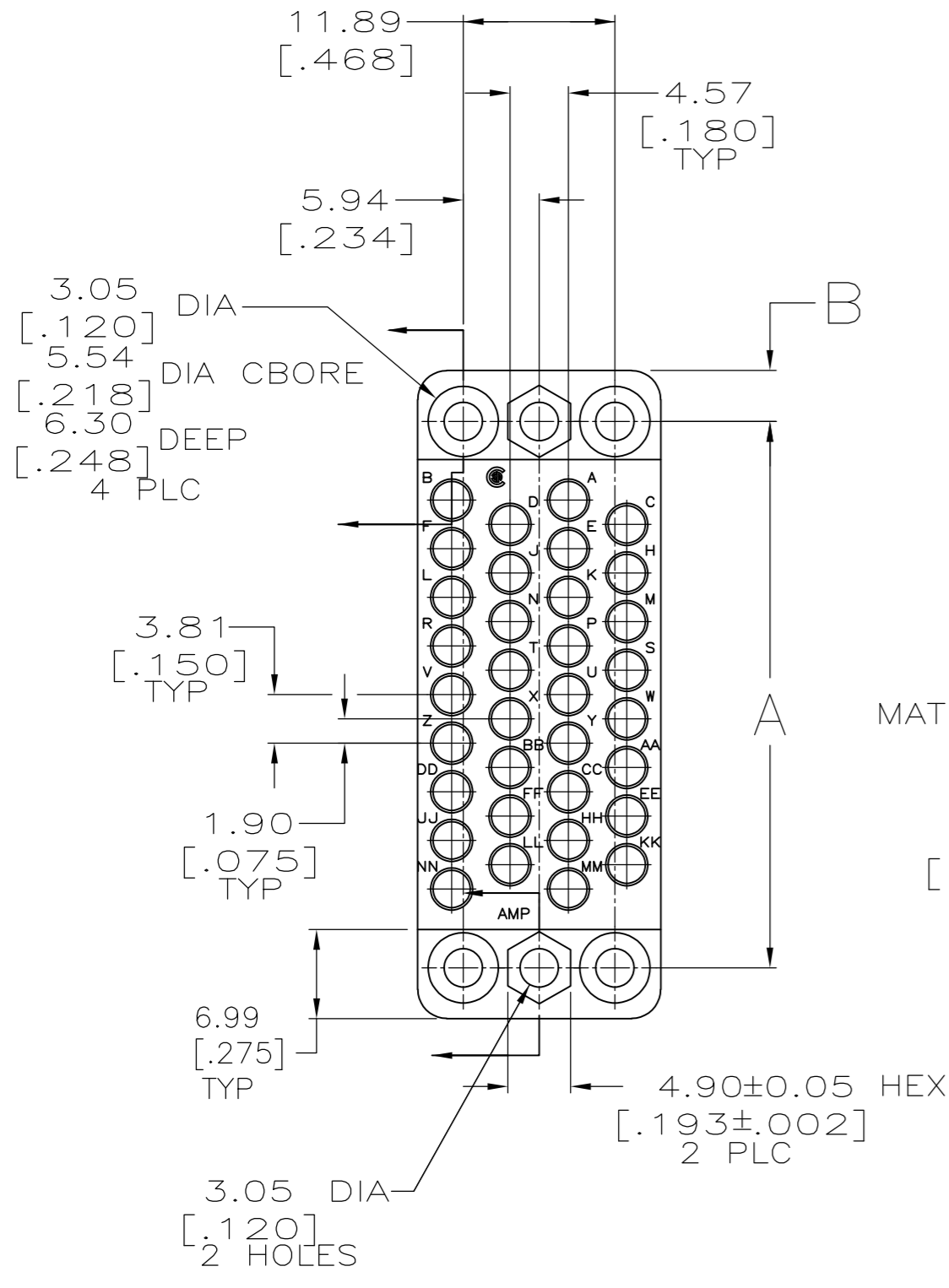


THIS DRAWING IS UNPUBLISHED. RELEASED FOR PUBLICATION  
 © COPYRIGHT - By - ALL RIGHTS RESERVED.

| LOC |     | DIST        |                           | REVISIONS |      |    |  |
|-----|-----|-------------|---------------------------|-----------|------|----|--|
| P   | LTR | DESCRIPTION | DATE                      | DWN       | APVD |    |  |
| FT  | 0   | T3          | REVISED PER ECO-13-008672 | 30AUG2013 | KH   | DR |  |



RECOMMENDED PANEL CUTOUT

- 1 PHENOLIC, BLACK.
- 2 DIALLYL PHTHALATE, BLUE.
- 3 MATES WITH BLOCK 200838 & ACCOMMODATES TYPE II OR TYPE III #16 PIN OR SOCKET CONTACTS. EXCEPT FOR 201357-1, WHICH ACCEPTS ONLY PIN CONTACTS.
- 4 FOR 201357-9, KS 21303 L9 MARKED IN ADDITION TO THE AMP PART NO.

|              |             |               |          |             |
|--------------|-------------|---------------|----------|-------------|
| 14.07 [.554] | 3.99 [.157] | 42.82 [1.686] | 1        | 1-201357-1  |
| 14.07 [.554] | 3.99 [.157] | 42.82 [1.686] | 1        | 1-201357-0  |
| 14.07 [.554] | 3.86 [.152] | 43.08 [1.696] | 2        | 201357-9    |
| 14.07 [.554] | 3.86 [.152] | 43.08 [1.696] | 2        | 201357-3    |
| 11.79 [.464] | 3.99 [.157] | 42.82 [1.686] | 1        | 201357-1    |
| L            | B           | A             | MATERIAL | PART NUMBER |

OBSOLETE

|  |  |                  |                            |  |
|--|--|------------------|----------------------------|--|
| THIS DRAWING IS A CONTROLLED DOCUMENT. |  | DWN 01/31/92     | <b>STE</b> TE Connectivity |  |
| DIMENSIONS: mm [INCHES]                |  | L.SIPE 2-4-92    |                            |  |
| TOLERANCES UNLESS OTHERWISE SPECIFIED: |  | CHK R.STONE      | NAME                       |  |
| 0 PLC ± -                              |  | APVD -           | PRODUCT SPEC               |  |
| 1 PLC ± -                              |  | APPLICATION SPEC | SIZE CAGE CODE DRAWING NO  |  |
| 2 PLC ± 0.13 [.005]                    |  | WEIGHT -         | A2 00779 C=201357          |  |
| 3 PLC ± -                              |  | CUSTOMER DRAWING | RESTRICTED TO              |  |
| 4 PLC ± -                              |  | SCALE 2:1        | SHEET 1 of 1               |  |
| ANGLES ± -                             |  | REV T3           |                            |  |
| FINISH -                               |  |                  |                            |  |

## X-ON Electronics

Largest Supplier of Electrical and Electronic Components

*Click to view similar products for [Rack & Panel Connectors](#) category:*

*Click to view products by [TE Connectivity](#) manufacturer:*

Other Similar products are found below :

[00171410002](#) [00171420202](#) [00171440002](#) [02-014-013-5200-000](#) [613467-000](#) [CTJ112E01E-513](#) [CTJ116E03A-513](#) [66020-2](#) [CW8958-000](#)  
[699886-000](#) [D250-50632](#) [70.400.3240.0](#) [70.955.2453.3](#) [733753-000](#) [F22831-000](#) [780-522-DPX34RG8-02](#) [8660-501](#) [87.060.0053.0](#)  
[900709N001](#) [928358-1](#) [D-659-0061](#) [1-445717-6](#) [1484469-2](#) [1604997-2](#) [MTC100-BF1-P31CS015](#) [MTC100-KT2-0083](#) [MTC100-KT2-0123-](#)  
[003](#) [MTC100-YA1-005](#) [MTCQKT1R2PGCA](#) [MTCR-103-04S](#) [MTCX1X-100-100CS025](#) [1738331-1](#) [1757667-1](#) [1811481-1](#) [1883433-1](#)  
[201046-7](#) [202648-4](#) [205269-1](#) [213364-1](#) [226503-000](#) [937028-164](#) [1663130-2](#) [172305-4](#) [AC-660022-701BP](#) [F36711-000](#) [202355-2](#) [202356-](#)  
[2](#) [G16S-A](#) [G20S-AB](#) [CHA-0017-003](#)