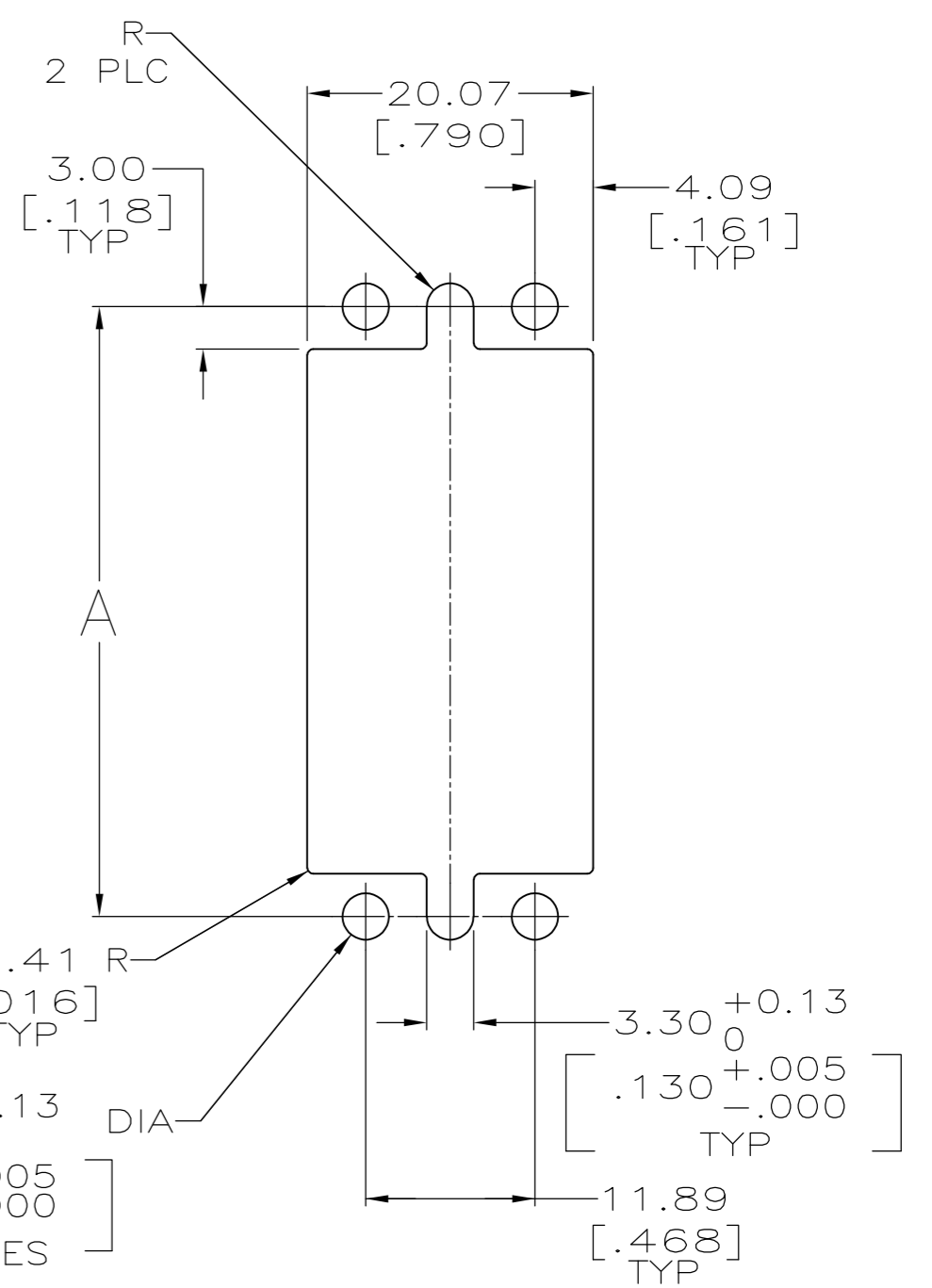
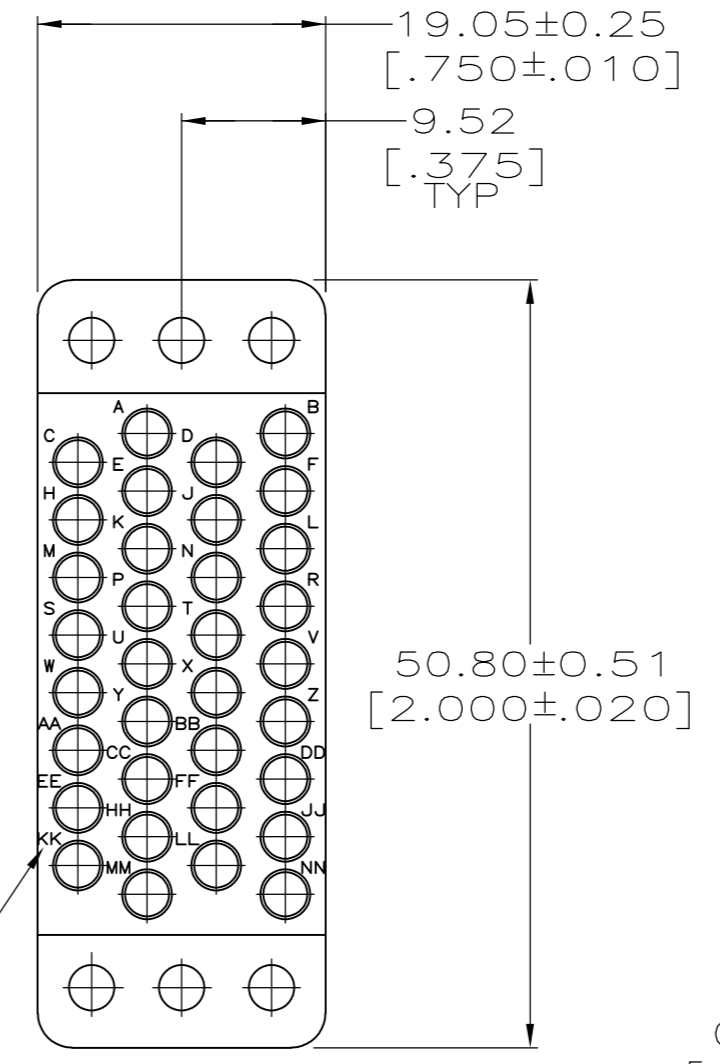
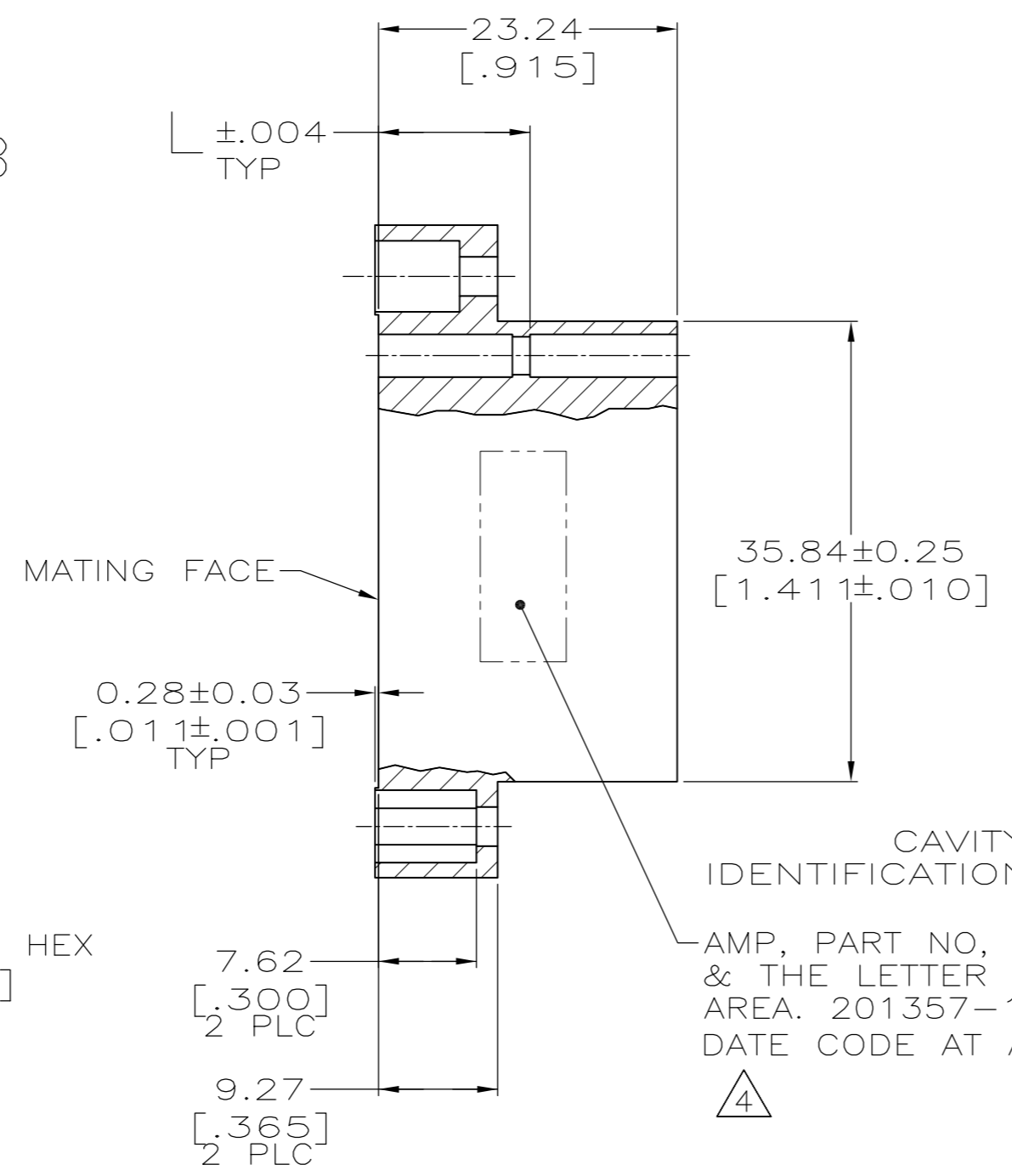
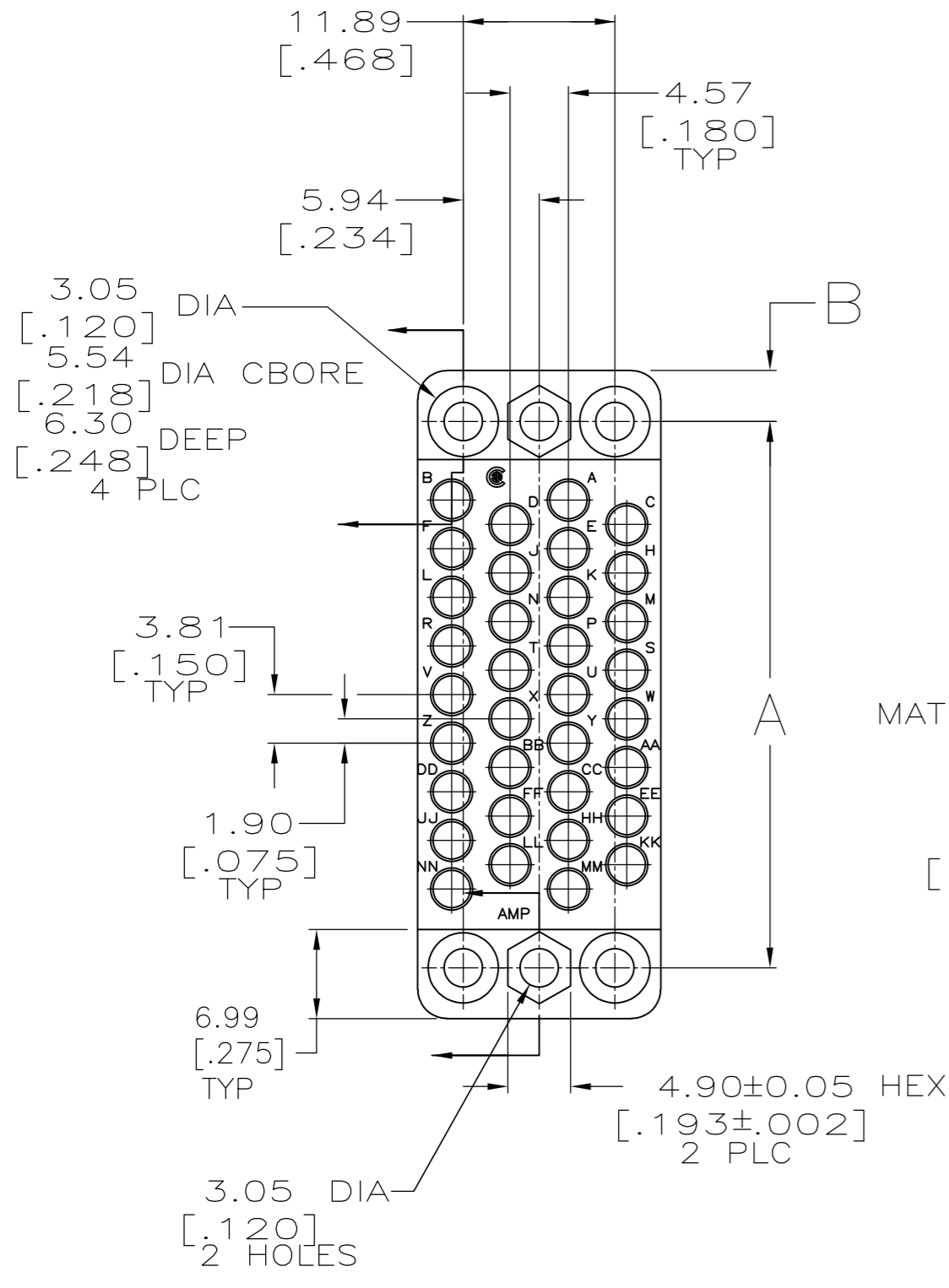


THIS DRAWING IS UNPUBLISHED. RELEASED FOR PUBLICATION
 © COPYRIGHT - By - ALL RIGHTS RESERVED.

LOC		DIST		REVISIONS			
P	LTR	DESCRIPTION	DATE	DWN	APVD		
FT	0	T3	REVISED PER ECO-13-008672	30AUG2013	KH	DR	



RECOMMENDED PANEL CUTOUT

- 1 PHENOLIC, BLACK.
- 2 DIALLYL PHTHALATE, BLUE.
- 3 MATES WITH BLOCK 200838 & ACCOMMODATES TYPE II OR TYPE III #16 PIN OR SOCKET CONTACTS. EXCEPT FOR 201357-1, WHICH ACCEPTS ONLY PIN CONTACTS.
- 4 FOR 201357-9, KS 21303 L9 MARKED IN ADDITION TO THE AMP PART NO.

14.07 [.554]	3.99 [.157]	42.82 [1.686]	1	1-201357-1
14.07 [.554]	3.99 [.157]	42.82 [1.686]	1	1-201357-0
14.07 [.554]	3.86 [.152]	43.08 [1.696]	2	201357-9
14.07 [.554]	3.86 [.152]	43.08 [1.696]	2	201357-3
11.79 [.464]	3.99 [.157]	42.82 [1.686]	1	201357-1
L	B	A	MATERIAL	PART NUMBER

OBSOLETE

THIS DRAWING IS A CONTROLLED DOCUMENT.

DWN	L.SIPE	01/31/92
CHK	R.STONE	2-4-92
APVD	-	-
PRODUCT SPEC	-	-
APPLICATION SPEC	-	-
WEIGHT	-	-
CUSTOMER DRAWING	SCALE	2:1

TE Connectivity
 34 POSITION MINIATURE RECTANGULAR MALE BLOCK, M SERIES

SIZE	A2	CAGE CODE	00779	DRAWING NO	C=201357	RESTRICTED TO	-
SHEET	1	OF 1	REV	T3			

X-ON Electronics

Largest Supplier of Electrical and Electronic Components

Click to view similar products for [Rack & Panel Connectors](#) category:

Click to view products by [TE Connectivity](#) manufacturer:

Other Similar products are found below :

[00171410002](#) [00171420202](#) [00171440002](#) [02-014-013-5200-000](#) [613467-000](#) [CTJ112E01E-513](#) [CTJ116E03A-513](#) [66020-2](#) [CW8958-000](#)
[699886-000](#) [D250-50632](#) [70.400.3240.0](#) [70.955.2453.3](#) [733753-000](#) [F22831-000](#) [780-522-DPX34RG8-02](#) [8660-501](#) [87.060.0053.0](#)
[900709N001](#) [928358-1](#) [D-659-0061](#) [1-445717-6](#) [1484469-2](#) [1604997-2](#) [MTC100-BF1-P31CS015](#) [MTC100-KT2-0083](#) [MTC100-KT2-0123-](#)
[003](#) [MTC100-YA1-005](#) [MTCQKT1R2PGCA](#) [MTCR-103-04S](#) [MTCX1X-100-100CS025](#) [1738331-1](#) [1757667-1](#) [1811481-1](#) [1883433-1](#)
[201046-7](#) [202648-4](#) [213364-1](#) [226503-000](#) [937028-164](#) [1663130-2](#) [172305-4](#) [AC-660022-701BP](#) [F36711-000](#) [202355-2](#) [202356-2](#) [G16S-A](#)
[G20S-AB](#) [CHA-0017-003](#) [CHA-0296](#)