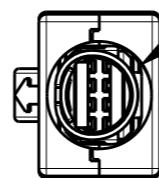
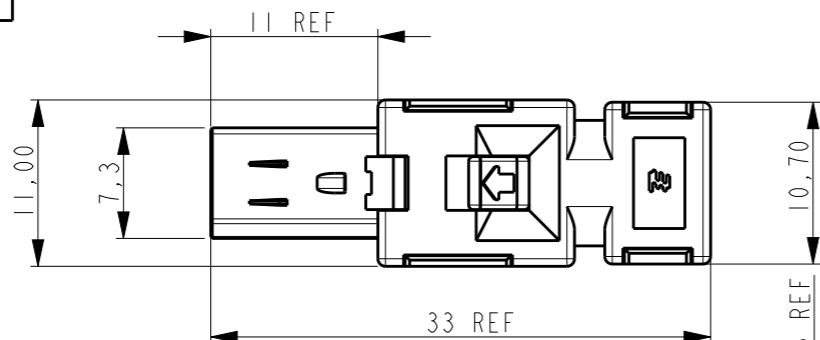
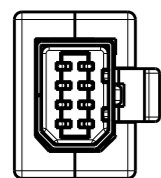
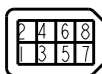


P	LTR	DESCRIPTION	DATE	DWN	APVD
D1		ECR-19-000401	10JAN2019	PP	PP
D2		ECR-19-007308	08MAY2019	SS	PP
D3		NOTE 4 ADDED (PROP 65 WARNING)	25AUG2020	SS	JDB
D4		ADD NEW PART VARIANT 3-2013595-1	02SEP2020	SS	JDB

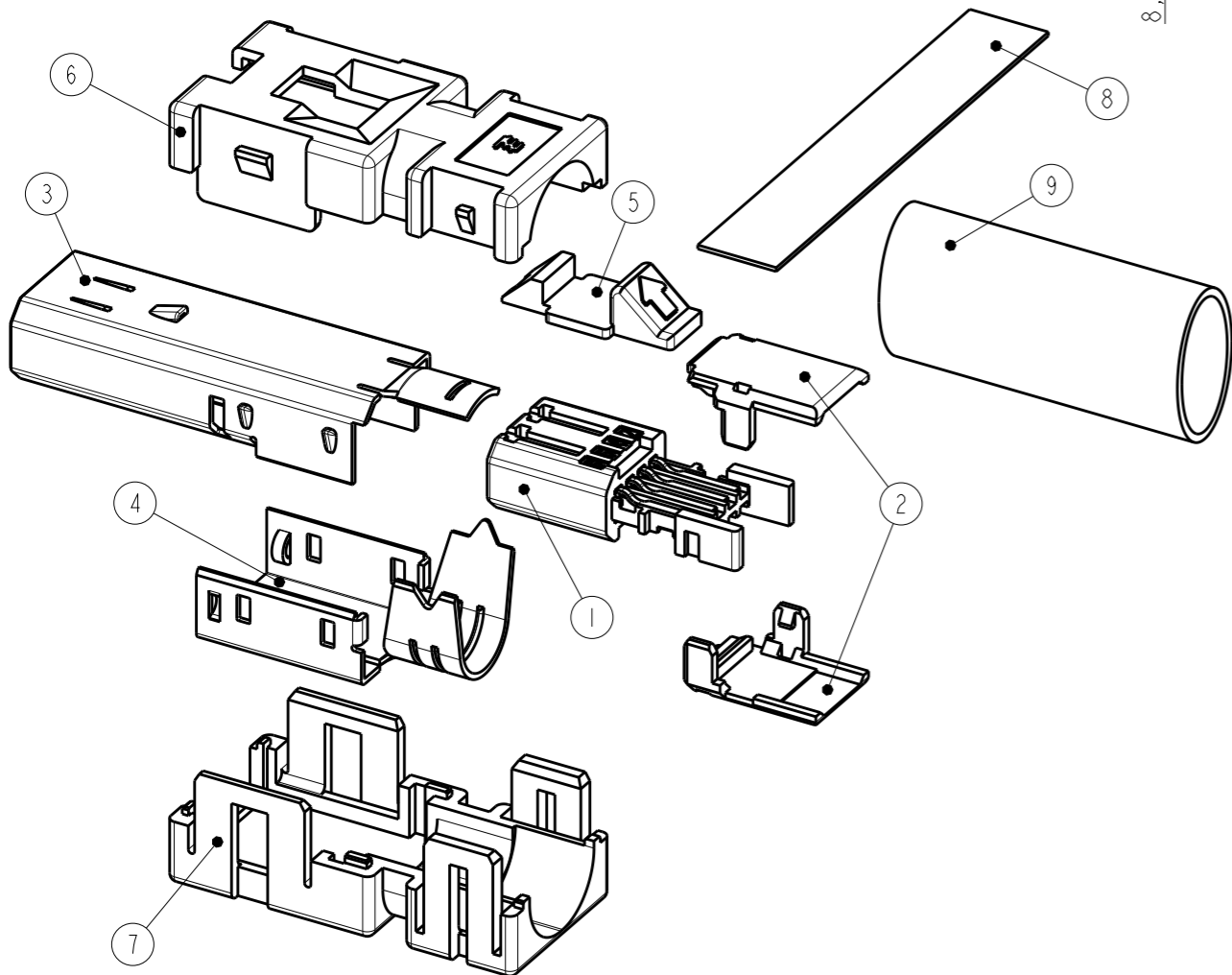
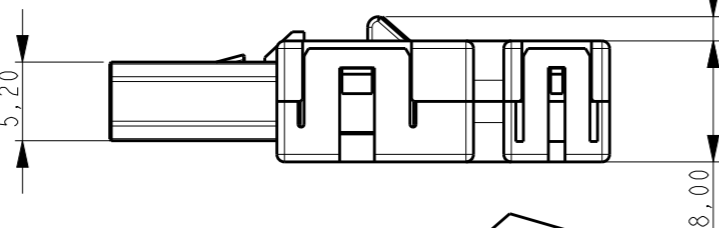


D-SHAPE TYPE I



CIRCUIT NO.

VIEW



4	4	4	4	4	REQ'D/ASSY	MATERIAL / FINISH	PART NAME	COLOR	ITEM NO.
PRELIMINARY						CROSS-LINKED POLYOLEFIN	HEAT SHRINKABLE TUBE		9
						ELECTROLYSIS COPPER FOIL, ACRYLIC ADHESIVE MATERIAL	COPPER FOIL TAPE		8
						POLYESTER OF GLASS FILLED THERMO PLASTIC(UL94V-0)	BOTTOM COVER	YELLOW	7
						POLYESTER OF GLASS FILLED THERMO PLASTIC(UL94V-0)	BOTTOM COVER	GREY	
						POLYESTER OF GLASS FILLED THERMO PLASTIC(UL94V-0)	BOTTOM COVER	BLACK	
						POLYESTER OF GLASS FILLED THERMO PLASTIC(UL94V-0)	TOP COVER	YELLOW	6
						POLYESTER OF GLASS FILLED THERMO PLASTIC(UL94V-0)	TOP COVER	GREY	
						POLYESTER OF GLASS FILLED THERMO PLASTIC(UL94V-0)	TOP COVER	BLACK	
						POLYESTER OF GLASS FILLED THERMO PLASTIC(UL94V-0)	LOCK EJECTOR	WHITE PRINT	5
						POLYESTER OF GLASS FILLED THERMO PLASTIC(UL94V-0)	LOCK EJECTOR	BLACK	
						STEEL/UNDER:Cu PLATING, TOP:Ni PLATING	BOTTOM SHELL		4
						STEEL/UNDER:Cu PLATING, TOP:Ni PLATING	TOP SHELL		3
					2	POLYESTER OF GLASS FILLED THERMO PLASTIC(UL94V-0)	PLUG HSG COVER		2
						CONTACT: COPPER ALLOY UNDER ALL SURFACE: Ni PLATING 1.27± ⁰ μmMIN TOP CONTACT AREA: Au PLATING: 0.76 μmMIN SOLDERING AREA: Au FLASH HSG: POLY-AMID OF GLASS FILLED THERMO PLASTIC(UL94V-0)	PLUG HSG SUB ASSY		1
						CONTACT: COPPER ALLOY UNDER ALL SURFACE: Ni PLATING 1.27± ⁰ μmMIN TOP CONTACT AREA: Au PLATING: 0.5 μmMIN SOLDERING AREA: Au FLASH HSG: POLY-AMID OF GLASS FILLED THERMO PLASTIC(UL94V-0)			
3-2013595-1	2013595-4	2013595-3	2013595-2	2013595-1					

1. APPLICABLE CABLE: RECOMMENDED AWG30~26 X 8C
MAX AWG22 X4C
OVERALL DIAMETER 6.7MAX.
2. DATE CODE IS DESCRIBED ON THE BUNDLED CUSTOMER DRAWING.
3. THE PRODUCT OF THIS DRAWING NO. IS PACKED INDIVIDUALLY IN PACKAGE OF EXCLUSIVE USE.

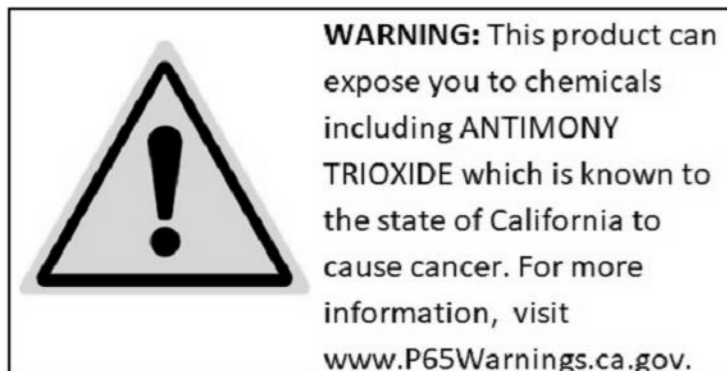
4 PROP 65 WARNING LABEL: SEE SHEET 2

THIS DRAWING IS A CONTROLLED DOCUMENT.		DWN S. INOMATA 12NOV2007		
DIMENSIONS: mm		CHK I. HASEGAWA 12NOV2007		
TOLERANCES UNLESS OTHERWISE SPECIFIED: ±0.3		APVD I. HASEGAWA 12NOV2007		
		PRODUCT SPEC 108-78405		
MATERIAL SEE TABLE		FINISH SEE TABLE	NAME INDUSTRIAL MINI I/O PLUG CONNECTOR KIT D-SHAPE TYPE I	
			APPLICATION SPEC 114-5431	RESTRICTED TO
			WEIGHT -	SIZE A3
			CUSTOMER DRAWING	CAGE CODE 00779
				DRAWING NO. C-2013595
				SCALE 5:2
				SHEET 1 OF 2
				REV D4

NOTES: CONTINUATION FROM SHEET 1:

4 PROP 65 WARNING LABEL:

- THE WARNING LABEL ON THE PRODUCT OR LOWEST LEVEL PACKAGING.
- CHEMICAL NAME: ANTIMONY TRIOXIDE



REVISIONS					
P	LTR	DESCRIPTION	DATE	DWN	APVD
	-	SEE SHEET 1	-	-	-

THIS DRAWING IS A CONTROLLED DOCUMENT.		DWN S. INOMATA 12NOV2007															
DIMENSIONS: mm		CHK I. HASEGAWA 12NOV2007															
TOLERANCES UNLESS OTHERWISE SPECIFIED: ±0.3		APVD I. HASEGAWA 12NOV2007	NAME INDUSTRIAL MINI I/O PLUG CONNECTOR KIT D-SHAPE TYPE I														
<table border="0"> <tr><td>0-PLC</td><td>±</td></tr> <tr><td>1-PLC</td><td>±0,5</td></tr> <tr><td>2-PLC</td><td>±0,13</td></tr> <tr><td>3-PLC</td><td>±0,013</td></tr> <tr><td>4-PLC</td><td>±0,0001</td></tr> <tr><td>ANGLES</td><td>±</td></tr> </table>		0-PLC	±	1-PLC	±0,5	2-PLC	±0,13	3-PLC	±0,013	4-PLC	±0,0001	ANGLES	±	PRODUCT SPEC 108-78405	SIZE A3		
0-PLC	±																
1-PLC	±0,5																
2-PLC	±0,13																
3-PLC	±0,013																
4-PLC	±0,0001																
ANGLES	±																
MATERIAL SEE TABLE		APPLICATION SPEC 114-5431	CAGE CODE 00779	DRAWING NO C-2013595	RESTRICTED TO												
FINISH SEE TABLE		WEIGHT -	SCALE 5:2 SHEET 2 OF 2 REV D4														
		CUSTOMER DRAWING															

X-ON Electronics

Largest Supplier of Electrical and Electronic Components

Click to view similar products for [Modular Connectors / Ethernet Connectors](#) category:

Click to view products by [TE Connectivity](#) manufacturer:

Other Similar products are found below :

[8949-H88/06BLKA/SN](#) [74441-0010/BKN](#) [MP1010RX-1000](#) [MP44RX-1000](#) [PHJ-4P4C-1-V-4](#) [PHP-6P6C-5](#) [GAX-3-66](#) [GAX-8-62](#) [GDCX-PA-66-50](#) [GDCX-PN-64](#) [GDCX-PN-66](#) [GDCX-PN-66-50](#) [GDLX-A-66](#) [GDLX-N-66](#) [GDLX-S-66](#) [GDLX-S-88K](#) [GDTX-S-88-50](#) [GDX-PA-1010](#) [GLX-N-1010M-BLK](#) [GLX-S-88M-BLK](#) [GMX-N-1010](#) [GMX-S-1010](#) [GMX-S-66](#) [GMX-SMT4-N-88](#) [GPX-2-64](#) [GSGX-N-2-88](#) [GSGX-N-4-88](#) [GSX-NS2-88-3.05](#) [GSX-NS2-88-3.05-50](#) [GSX-NS-88-3.05-50](#) [PT-108A-8C-UL](#) [PT-J951-8C](#) [PTS-J531-8CS-50UL](#) [1-1775629-2](#) [A-2014-0-4](#) [GWLX-S-88-GR](#) [GWLX-S9-88-YG](#) [DC-1021-8-WH-6](#) [1300530003](#) [1324640-4](#) [RJ11FTVC2G](#) [RJ11FTVC2N](#) [RJFTVX2SA1G](#) [132764-001](#) [1413235](#) [MP88X-1000](#) [MPS88RX-5000](#) [E5288-S000K3-L](#) [E5908-15A242-L](#) [155302-001](#)