

THIS DRAWING IS UNPUBLISHED.

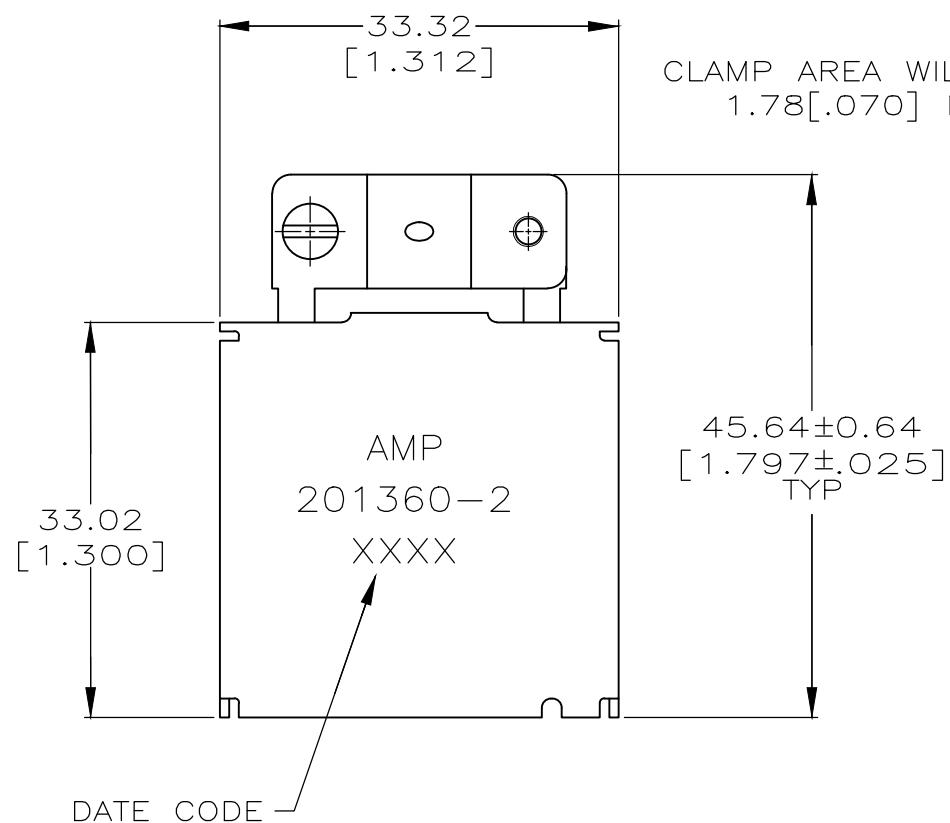
RELEASED FOR PUBLICATION

© COPYRIGHT - TE Connectivity Ltd.

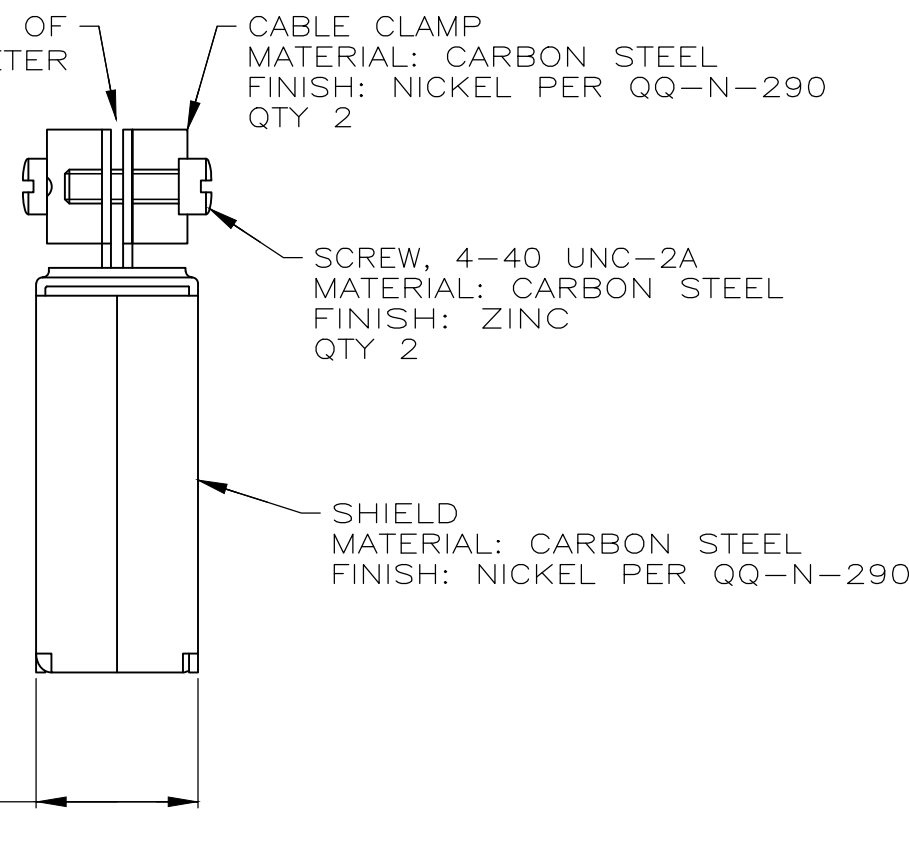
ALL RIGHTS RESERVED.

REVISIONS

P	LTR	DESCRIPTION	DATE	DWN	APVD
	N	REVISED PER ECO-18-007239	18MAY2018	KH	MZ



CLAMP AREA WILL ACCEPT 14 WIRES OF 1.78[.070] MAX OUTSIDE DIAMETER



201360-2

PART NUMBER

THIS DRAWING IS A CONTROLLED DOCUMENT.		DWN C.OBERMAN 25 SEP 95	STE TE Connectivity Ltd.														
DIMENSIONS: mm [INCHES]		CHK R.STONE 25 SEP 95															
TOLERANCES UNLESS OTHERWISE SPECIFIED:		APVD G.A.STEINHAUER 05 NOV 95	NAME SHIELD KIT, UNASSEMBLED, SHORT 14 POSITION, M SERIES														
<table border="0"> <tr><td>0 PLC</td><td>± -</td></tr> <tr><td>1 PLC</td><td>± -</td></tr> <tr><td>2 PLC</td><td>± 0.38[.015]</td></tr> <tr><td>3 PLC</td><td>± -</td></tr> <tr><td>4 PLC</td><td>± -</td></tr> <tr><td>ANGLES</td><td>± -</td></tr> </table>		0 PLC	± -	1 PLC	± -	2 PLC	± 0.38[.015]	3 PLC	± -	4 PLC	± -	ANGLES	± -	PRODUCT SPEC -	APPLICATION SPEC -		
0 PLC	± -																
1 PLC	± -																
2 PLC	± 0.38[.015]																
3 PLC	± -																
4 PLC	± -																
ANGLES	± -																
MATERIAL SEE CALLOUTS	FINISH SEE CALLOUTS	WEIGHT 0	SIZE A3	CAGE CODE 00779	DRAWING NO C-201360	RESTRICTED TO -											
CUSTOMER DRAWING			SCALE 2:1	SHEET 1 OF 1	REV N												

X-ON Electronics

Largest Supplier of Electrical and Electronic Components

Click to view similar products for [Rack & Panel Connectors](#) category:

Click to view products by [TE Connectivity](#) manufacturer:

Other Similar products are found below :

[00171410002](#) [00171420202](#) [00171440002](#) [02-014-013-5200-000](#) [613467-000](#) [CTJ112E01E-513](#) [CTJ116E03A-513](#) [66020-2](#) [CW8958-000](#)
[699886-000](#) [D250-50632](#) [70.400.3240.0](#) [70.955.2453.3](#) [733753-000](#) [F22831-000](#) [780-522-DPX34RG8-02](#) [8660-501](#) [87.060.0053.0](#)
[900709N001](#) [928358-1](#) [D-659-0061](#) [1-445717-6](#) [1484469-2](#) [1604997-2](#) [MTC100-BF1-P31CS015](#) [MTC100-KT2-0083](#) [MTC100-KT2-0123-](#)
[003](#) [MTC100-YA1-005](#) [MTCQPQT1R2PGCA](#) [MTCR-103-04S](#) [MTCX1X-100-100CS025](#) [1738331-1](#) [1757667-1](#) [1811481-1](#) [1883433-1](#)
[201046-7](#) [202648-4](#) [213364-1](#) [226503-000](#) [937028-164](#) [1663130-2](#) [172305-4](#) [F36711-000](#) [202355-2](#) [202356-2](#) [G16S-A](#) [G20S-AB](#) [CHA-](#)
[0017-003](#) [CHA-0296](#) [354654-000](#)