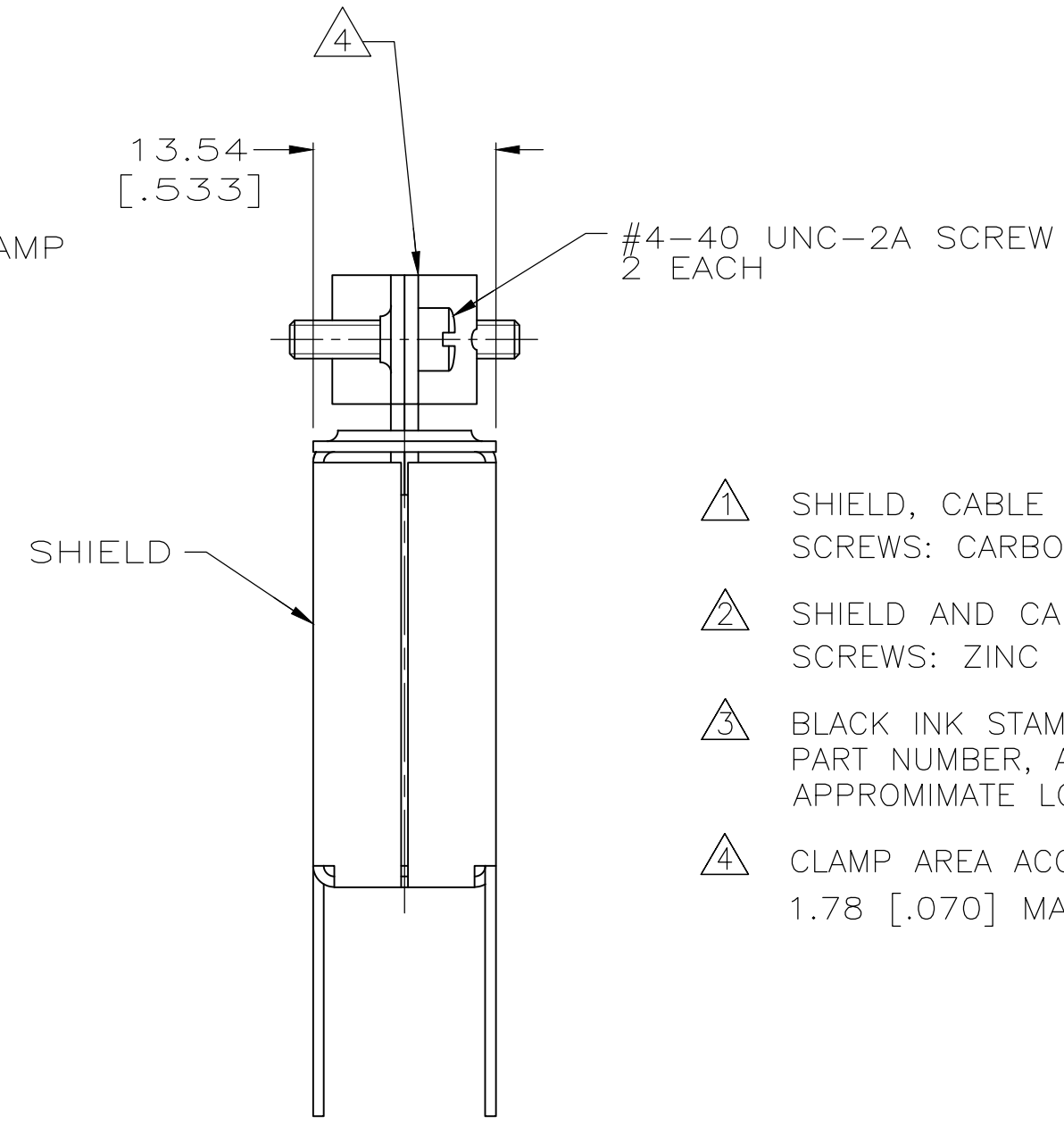
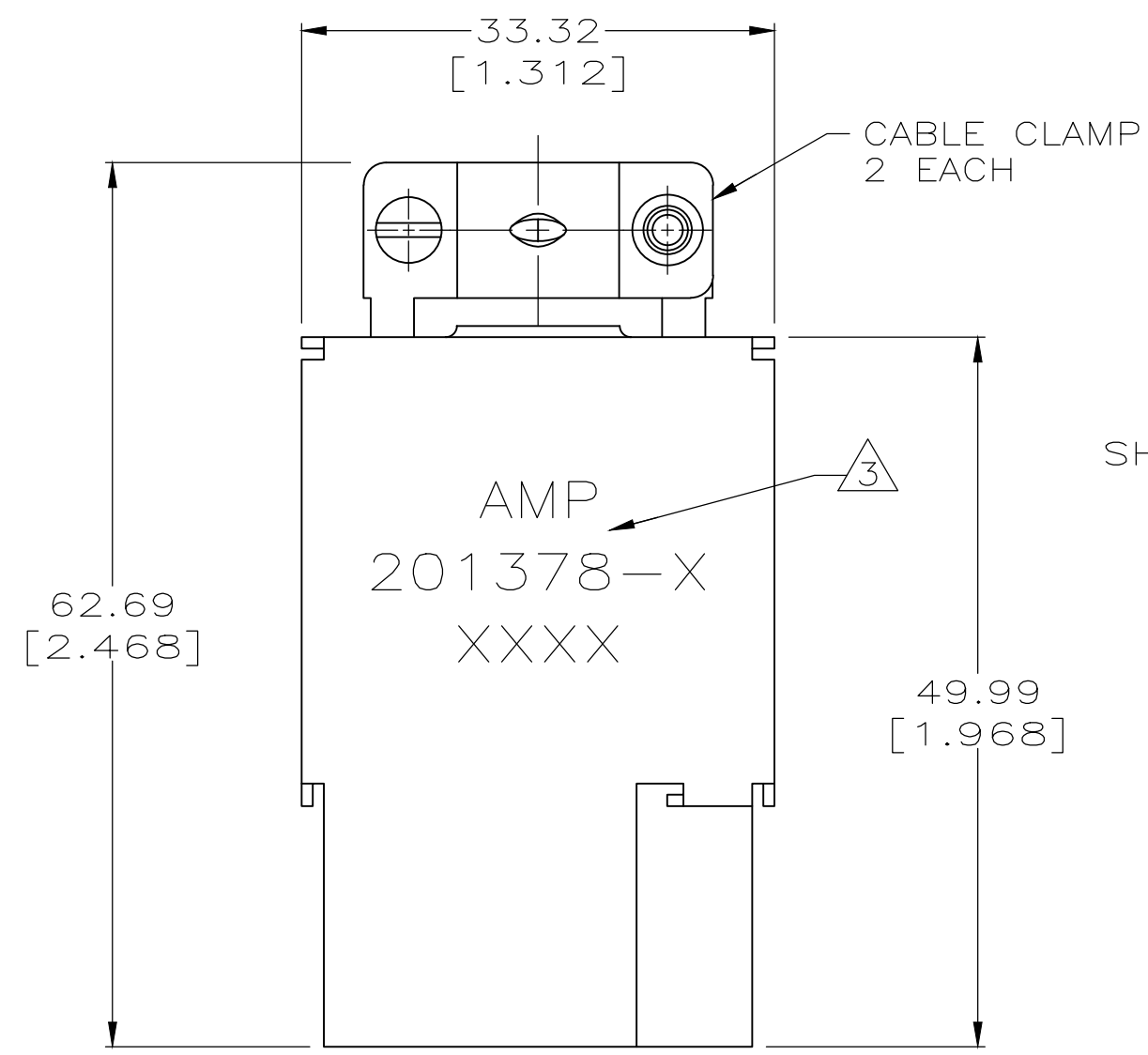


THIS DRAWING IS UNPUBLISHED. RELEASED FOR PUBLICATION
 © COPYRIGHT - TE Connectivity Ltd. ALL RIGHTS RESERVED.

| REVISIONS | | | | | |
|-----------|-----|---------------------------|-----------|-----|------|
| P | LTR | DESCRIPTION | DATE | DWN | APVD |
| | L | REVISED PER ECO-18-007239 | 18MAY2018 | KH | MZ |



- ① SHIELD, CABLE CLAMP, AND SCREWS: CARBON STEEL.
- ② SHIELD AND CABLE CLAMP: NICKEL PLATED. SCREWS: ZINC PLATED.
- ③ BLACK INK STAMPED OR LASER MARKED AMP, PART NUMBER, AND DATE CODE IN APPROXIMATE LOCATION SHOWN.
- ④ CLAMP AREA ACCEPTS 14 WIRES OF 1.78 [.070] MAX OUTSIDE DIAMETER.

201378-2
 PART NUMBER

| | | | | | | | | | | | | | | | | | | |
|--|---------------|-----------------------------------|--|------------------|-----|--------------|-----------------|----------|-----|-------|-----|--------|-----|-------------------|------------|--------------------|------------------------|--------------------|
| THIS DRAWING IS A CONTROLLED DOCUMENT. | | DWN K.FOLTZ 28 SEP 95 | STE TE Connectivity Ltd. | | | | | | | | | | | | | | | |
| DIMENSIONS: INCHES | | CHK R.STONE 28 SEP 95 | | | | | | | | | | | | | | | | |
| TOLERANCES UNLESS OTHERWISE SPECIFIED: | | APVD G.STEINHAUER 03 OCT 95 | NAME SHIELD KIT, UNASSEMBLED, LONG, 14 PLACE, M SERIES | | | | | | | | | | | | | | | |
| <table border="0"> <tr><td>0 PLC</td><td>± -</td></tr> <tr><td>1 PLC</td><td>± -</td></tr> <tr><td>2 PLC</td><td>± 0.38 [.015]</td></tr> <tr><td>3 PLC</td><td>± -</td></tr> <tr><td>4 PLC</td><td>± -</td></tr> <tr><td>ANGLES</td><td>± -</td></tr> </table> | | 0 PLC | ± - | 1 PLC | ± - | 2 PLC | ± 0.38 [.015] | 3 PLC | ± - | 4 PLC | ± - | ANGLES | ± - | PRODUCT SPEC - | SIZE A3 | CAGE CODE 00779 | DRAWING NO C-201378 | RESTRICTED TO - |
| 0 PLC | ± - | | | | | | | | | | | | | | | | | |
| 1 PLC | ± - | | | | | | | | | | | | | | | | | |
| 2 PLC | ± 0.38 [.015] | | | | | | | | | | | | | | | | | |
| 3 PLC | ± - | | | | | | | | | | | | | | | | | |
| 4 PLC | ± - | | | | | | | | | | | | | | | | | |
| ANGLES | ± - | | | | | | | | | | | | | | | | | |
| MATERIAL ① | | FINISH ② | WEIGHT 0 | CUSTOMER DRAWING | | SCALE 2:1 | SHEET 1 OF 1 | REV L | | | | | | | | | | |

X-ON Electronics

Largest Supplier of Electrical and Electronic Components

Click to view similar products for [Rack & Panel Connectors](#) category:

Click to view products by [TE Connectivity](#) manufacturer:

Other Similar products are found below :

[00171410002](#) [00171420202](#) [00171440002](#) [02-014-013-5200-000](#) [613467-000](#) [CTJ112E01E-513](#) [CTJ116E03A-513](#) [66020-2](#) [CW8958-000](#)
[699886-000](#) [D250-50632](#) [70.400.3240.0](#) [70.955.2453.3](#) [733753-000](#) [F22831-000](#) [780-522-DPX34RG8-02](#) [8660-501](#) [87.060.0053.0](#)
[900709N001](#) [928358-1](#) [D-659-0061](#) [1-445717-6](#) [1484469-2](#) [1604997-2](#) [MTC100-BF1-P31CS015](#) [MTC100-KT2-0083](#) [MTC100-KT2-0123-](#)
[003](#) [MTC100-YA1-005](#) [MTC PQKT1R2PGCA](#) [MTCR-103-04S](#) [MTCX1X-100-100CS025](#) [1738331-1](#) [1757667-1](#) [1811481-1](#) [1883433-1](#)
[201046-7](#) [202648-4](#) [213364-1](#) [226503-000](#) [937028-164](#) [1663130-2](#) [172305-4](#) [F36711-000](#) [202355-2](#) [202356-2](#) [G16S-A](#) [G20S-AB](#) [CHA-](#)
[0017-003](#) [CHA-0296](#) [354654-000](#)