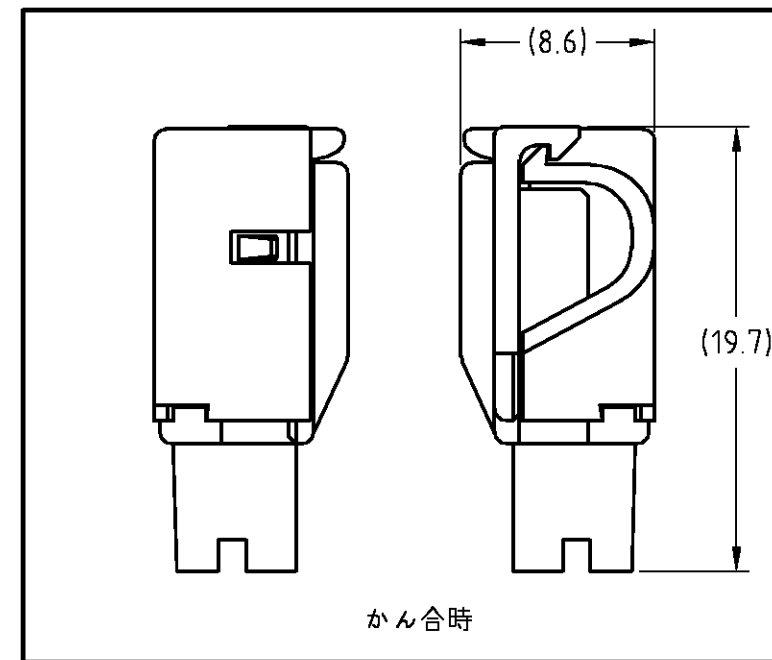
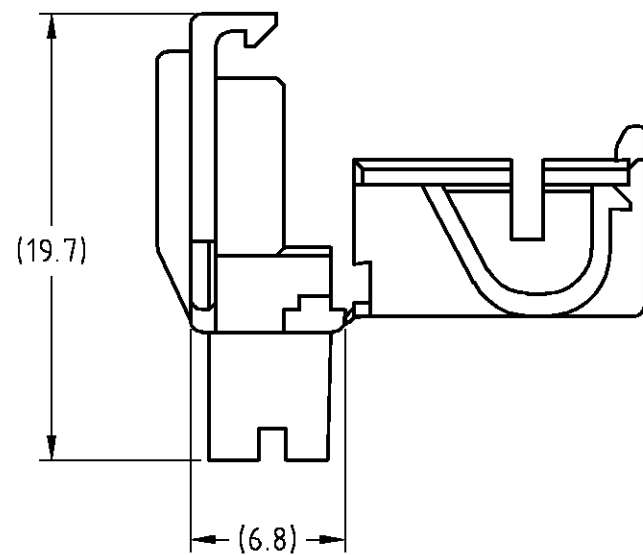
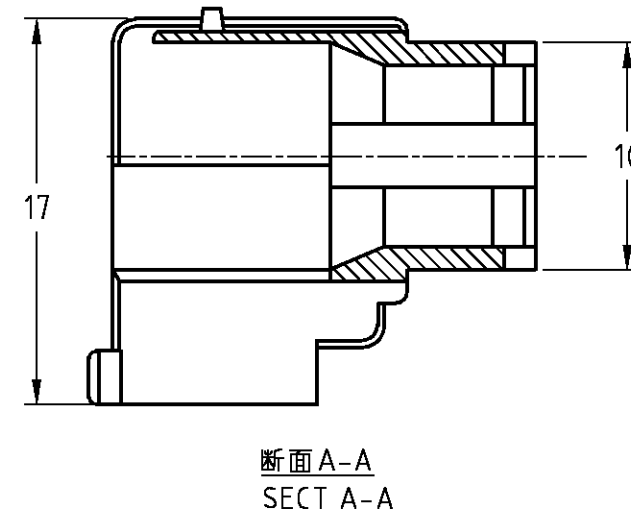
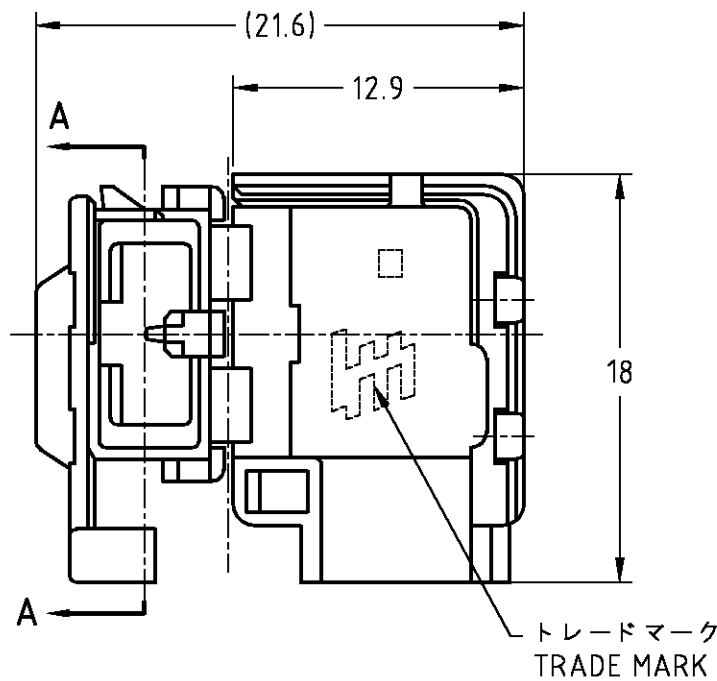
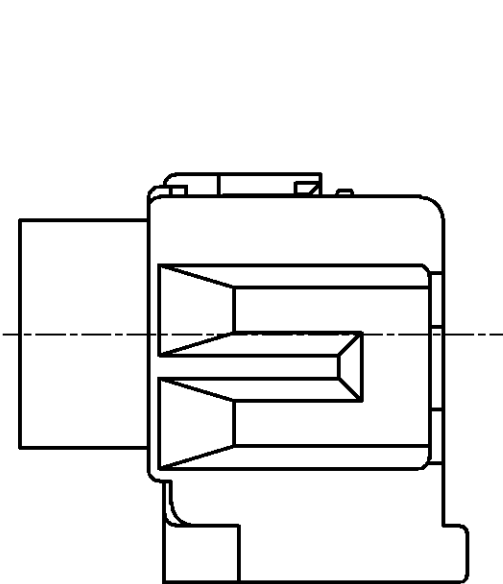


THIS DRAWING IS UNPUBLISHED. RELEASED FOR PUBLICATION  
 © COPYRIGHT BY TYCO ELECTRONICS CORPORATION. ALL RIGHTS RESERVED.

| LOC | DIST | REVISIONS |     |                       |          |     |      |
|-----|------|-----------|-----|-----------------------|----------|-----|------|
| J   | —    | P         | LTR | DESCRIPTION           | DATE     | DWN | APVD |
|     |      | B         |     | REVISED ECR-08-004044 | 07MAR'08 | J.S | S.M  |



- 注記：  
 1. 一般公差: ±0.3  
 2. 適用端子型番: 175057-X

- NOTES  
 1. GENERAL TOLERANCE: ±0.3  
 2. APPLICABLE CONTACT PART NUMBER: 175057-X

|       |           |
|-------|-----------|
| BLACK | 2013799-1 |
| COLOR | P/N       |

|   |  |                                   |   |                               |
|---|--|-----------------------------------|---|-------------------------------|
| THIS DRAWING IS A CONTROLLED DOCUMENT.                          |  | DWN<br>J.SATO<br>29NOV2007        | Tyco Electronics Corporation<br>Kawasaki, Japan |                               |
| DIMENSIONS:<br>単位: 概<br>mm                                      |  | CHK<br>S.MANABE<br>29NOV2007      | NAME<br>名称                                      |                               |
| TOLERANCES UNLESS OTHERWISE SPECIFIED:<br>一般公差                  |  | APVD<br>S.MANABE<br>29NOV2007     | 250 SERIES ONE TOUCH SLEEVE                     |                               |
| 0 PLC ±<br>1 PLC ±<br>2 PLC ±<br>3 PLC ±<br>4 PLC ±<br>ANGLES ± |  | PRODUCT SPEC<br>製品規格<br>108-78514 | SIZE<br>A3                                      |                               |
| MATERIAL<br>材料<br>4/6NYLON (UL94V-0)                            |  | APPLICATION SPEC<br>取付適用規格        | CAGE CODE<br>00779                              | DRAWING NO<br>番号<br>C-2013799 |
| FINISH<br>仕上  |  | WEIGHT                            | RESTRICTED TO                                   | —                             |
| CUSTOMER DRAWING  |  | SCALE<br>尺度<br>3:1                | SHEET<br>1 OF 1                                 | REV<br>B                      |

## X-ON Electronics

Largest Supplier of Electrical and Electronic Components

*Click to view similar products for [Terminals category](#):*

*Click to view products by [TE Connectivity manufacturer](#):*

Other Similar products are found below :

[00-054007-01074-6](#) [00-054007-70206-1](#) [00-054007-70210-8](#) [00-054007-70217-7](#) [00-054007-70228-3](#) [00-054007-70256-6](#) [00-054007-70316-7](#) [00-054007-49560-4](#) [00-054007-70209-2](#) [00-054007-70231-3](#) [00-054007-70241-2](#) [00-054007-70242-9](#) [00-054007-70246-7](#) [00-054007-70263-4](#) [00-054007-70288-7](#) [00-054007-70290-0](#) [00-054007-70300-6](#) [00-054007-70304-4](#) [01-2900-1-04412](#) [00581P0075](#) [600TS-10](#) [605601-1](#) [60598-1-CUT-TAPE](#) [60617-1-C](#) [61314-6-C](#) [61810-3](#) [62149-1](#) [626-0194](#) [63-S](#) [M55155/059I03](#) [M55155/079C01](#) [M55155/099B03](#) [M55155/099H02](#) [M55155/109H01](#) [M55155/12XH05](#) [M55155/29XJ08](#) [M55155/30-6S](#) [M55155/30-9S](#) [M55155/30XI09](#) [M6-14RSX](#) [696683-1](#) [696861-1](#) [696999-1](#) [M86700006](#) [D18-110B-C](#) [D18-110B-M](#) [701-1936](#) [701-1955](#) [701-2003](#) [701-2007](#)