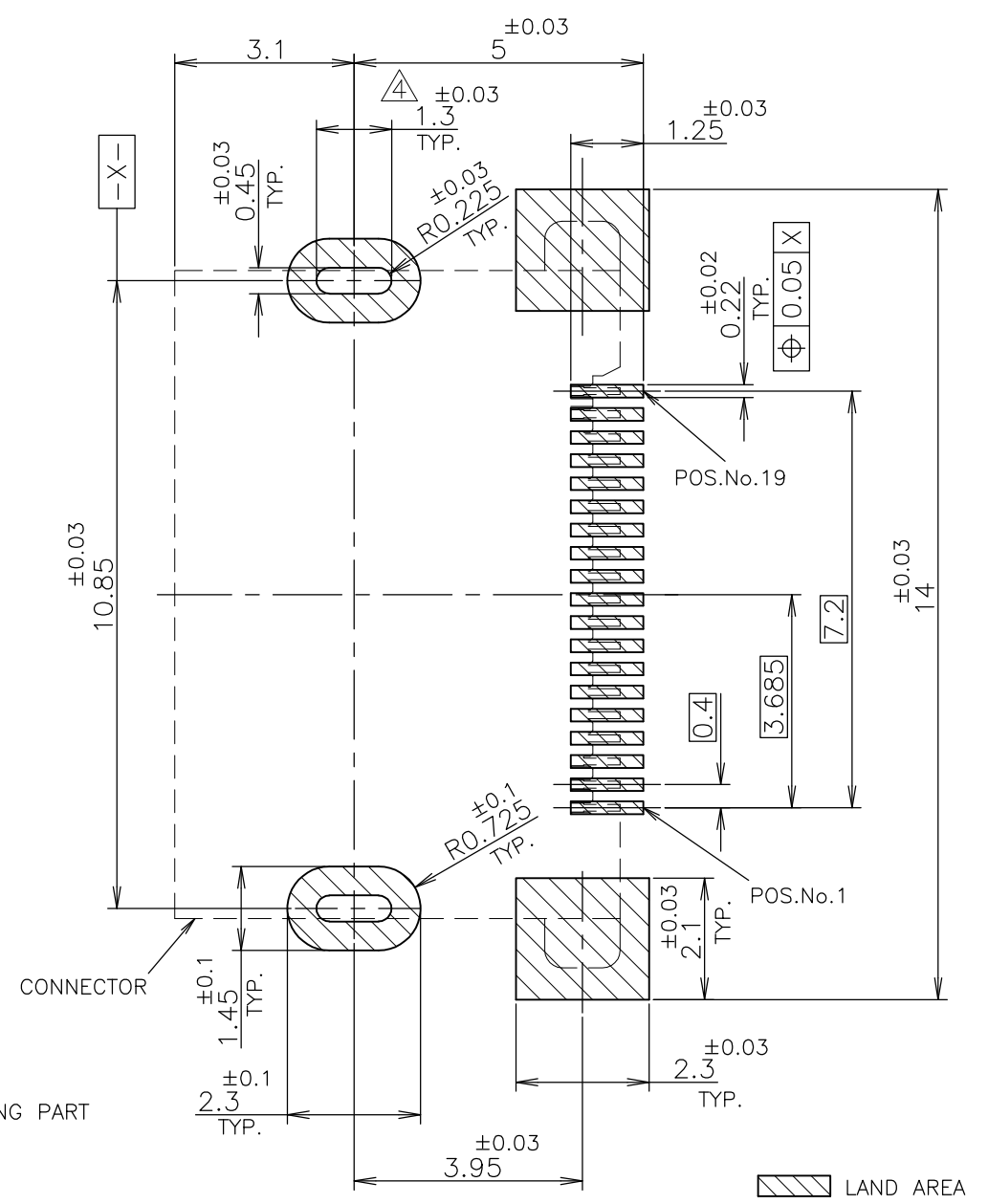
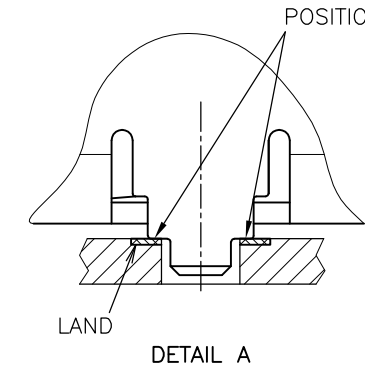
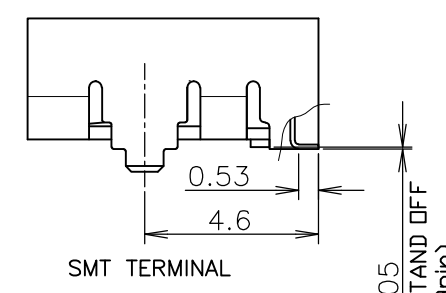
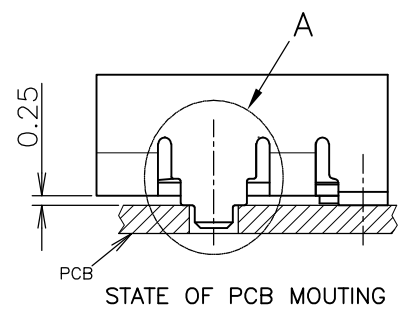
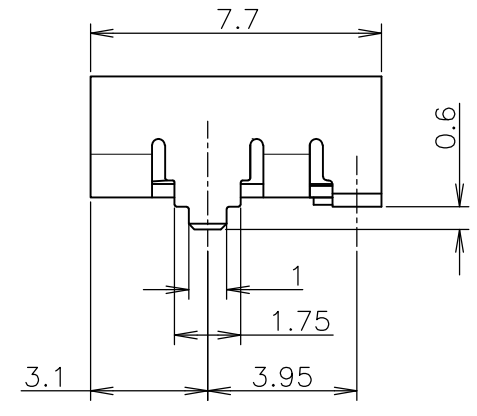
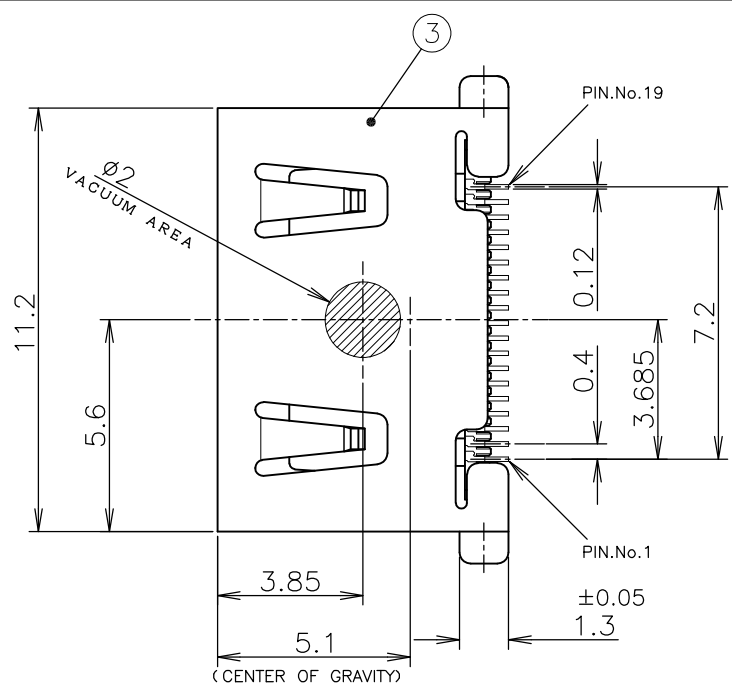
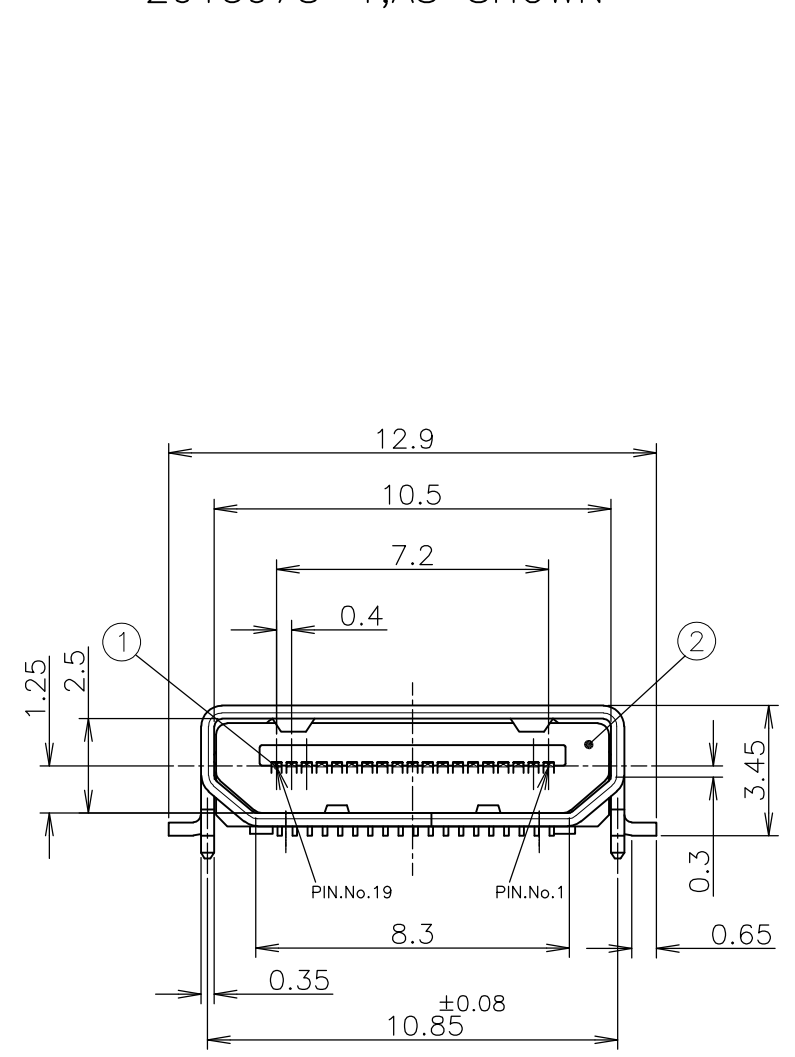


THIS DRAWING IS UNPUBLISHED. RELEASED FOR PUBLICATION  
 © COPYRIGHT - By - ALL RIGHTS RESERVED.

LOC		DIST		REVISIONS			DATE	DWN	APVD
J				変更					
P	LTR	DESCRIPTION			DATE	DWN	APVD		
	B1	REVISED PER ECO-11-005030			11MAR11	RK	HMR		

2013978-1;AS SHOWN



REFERENCE PCB LAYOUT

COPPER ALLOY	1	SHELL	③
THERMOPLASTIC UL94V-0,COLOR;BLACK	1	HOUSING	②
COPPER ALLOY	19	CONTACT	①
MATERIAL	QTY.	DISCRIPTION	ITEM

NOTE  
 1 GENERAL TOLERANCE : ±0.3  
 2 CONTACT TINE COPLANALITY ; 0.1mmMAX  
 3 FINISH  
 CONTACT ; Ni UNDER PLATING ALL OVER 1.3um MIN.  
 Au PLATING ON SOLDERING AREA 0.05um MIN.  
 Au PLATING ON CONTACT AREA 0.1um MIN.  
 SHELL ; Ni UNDER PLATING ALL OVER 0.8um MIN.  
 Sn PLATING ALL OVER 0.75um MIN.  
 4 PLEASE OBSERVE THE TOLERANCE SO THAT THIS DIMENSION INFLUENCE POSITIONING THE PRODUCT(REFER TO DETAIL A,B).

注記  
 1 一般公差 : ±0.3  
 2 コプラナリティ : 0.1mmMAX.  
 3 仕上げ  
 コンタクト : 全面ニッケル下地 1.3um 以上  
 はんだ付け部 金フラッシュメッキ 0.05um 以上  
 接点部 金メッキ 0.1um 以上  
 シェル : 全面ニッケル下地 0.8um 以上  
 全面スズメッキ 0.75um 以上  
 4 本寸法は製品の位置決めに影響する寸法  
 ですので、公差を厳守してください  
 (DETAIL A,Bを参照ください)

THIS DRAWING IS A CONTROLLED DOCUMENT.	
DIMENSIONS: 単位: 耗 mm	TOLERANCES UNLESS OTHERWISE SPECIFIED: 一般公差
	0 PLC ± 1 PLC ± 2 PLC ± 3 PLC ± 4 PLC ± ANGLES ±
MATERIAL 材料	FINISH 仕上

DWN	Y.OKOSHI	11JAN2008
CHK	I.IGARASHI	11JAN2008
APVD	T.FUTATSUGI	11JAN2008
PRODUCT SPEC	製品規格 108-78487	
APPLICATION SPEC	取付適用規格	
WEIGHT	0.62g	

**STE** TE Connectivity

HDMI TYPE C RECEPTACLE CONNECTOR

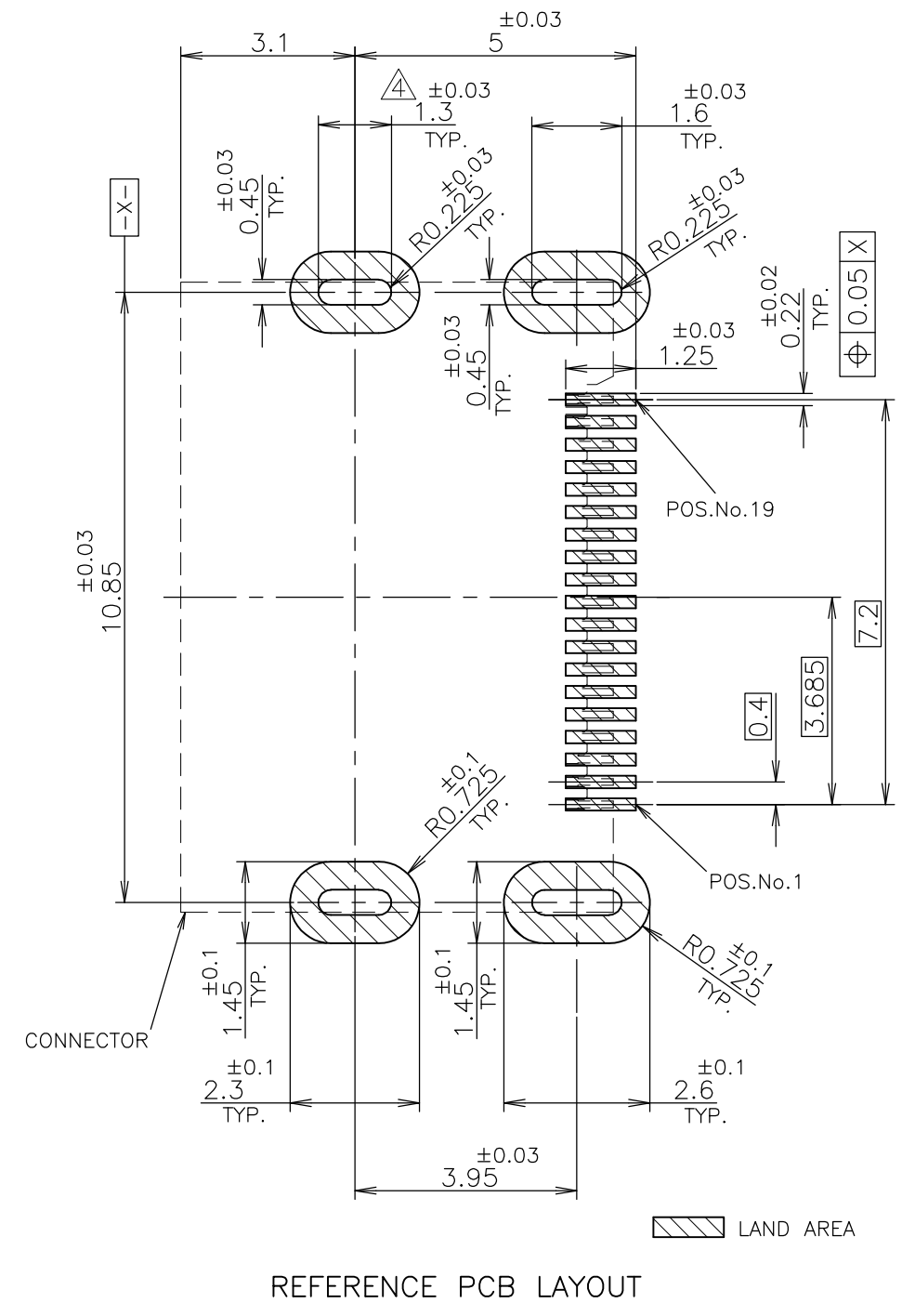
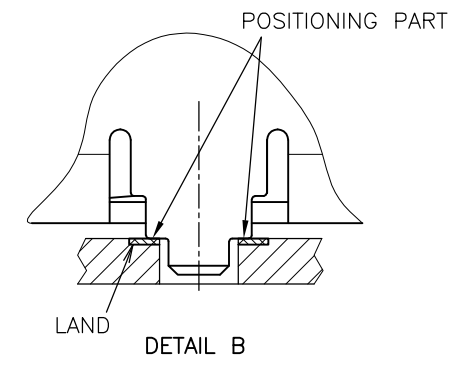
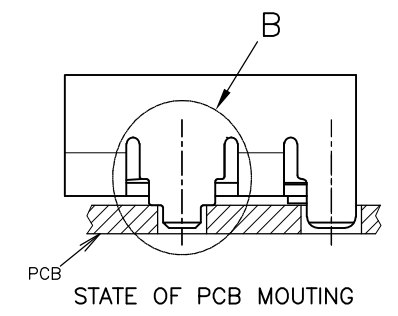
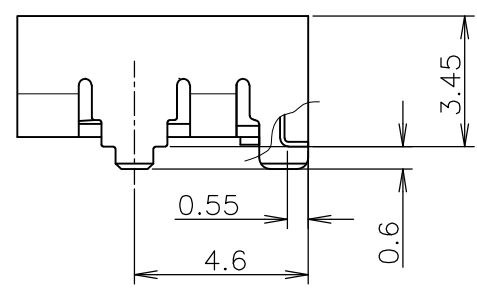
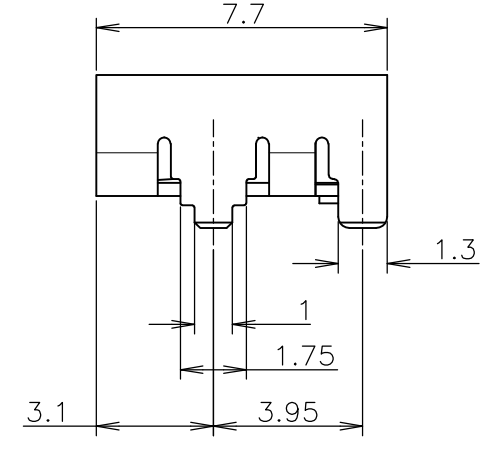
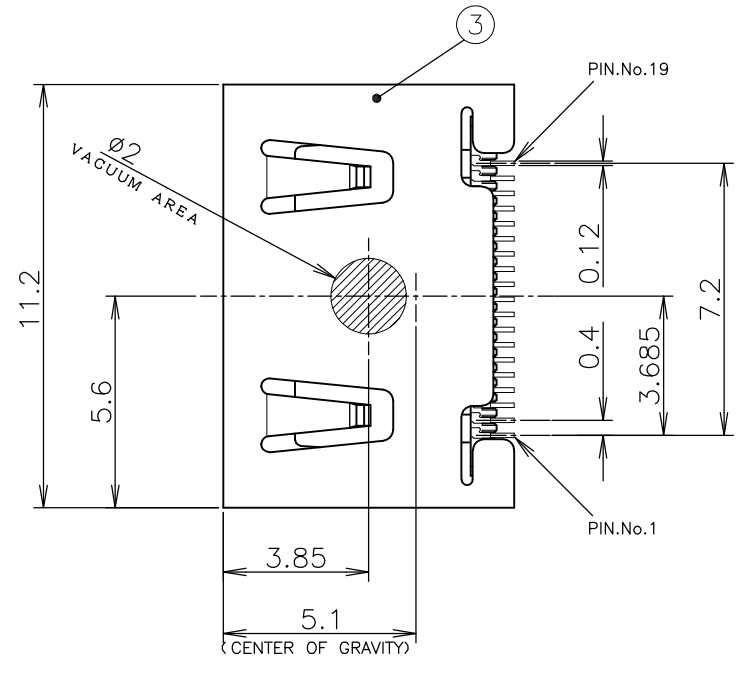
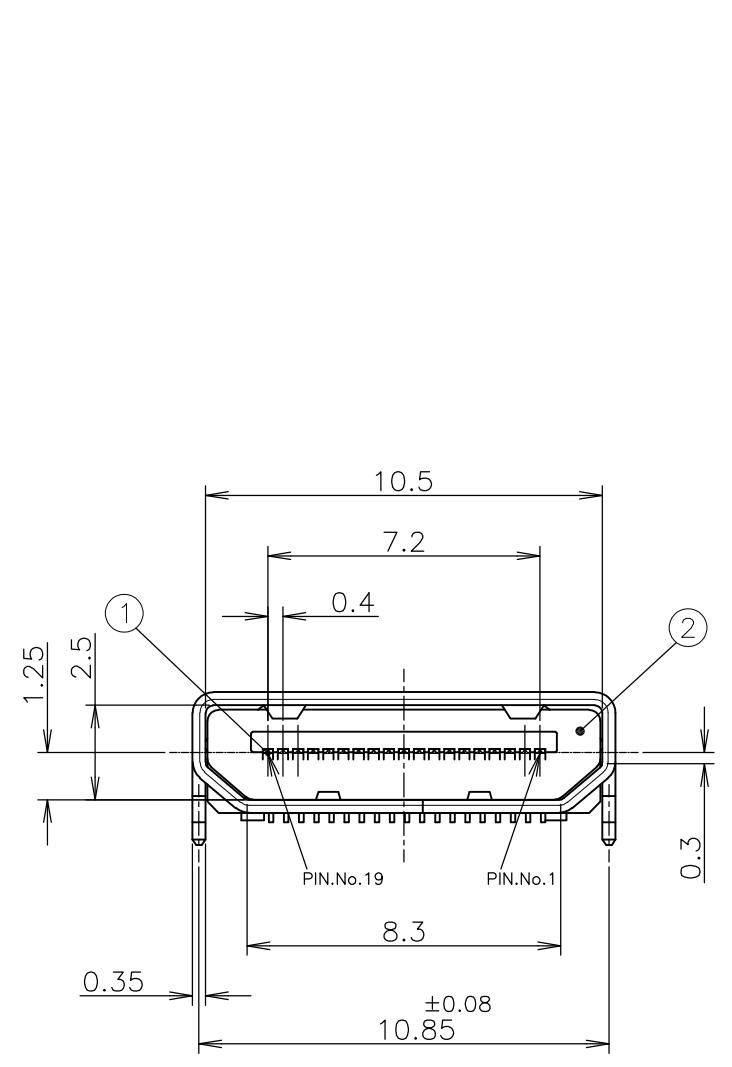
SIZE	CAGE CODE	DRAWING NO	RESTRICTED TO
A3	00779	C-2013978	

CUSTOMER DRAWING SCALE 5:1 SHEET 1 OF 5 REV B1

THIS DRAWING IS UNPUBLISHED. RELEASED FOR PUBLICATION  
 © COPYRIGHT - By - ALL RIGHTS RESERVED.

LOC	DIST	REVISIONS		
J		P	LTR	DESCRIPTION
		-	-	SEE SHEET 1
				DATE
				DWN
				APVD

2013978-2;AS SHOWN



NOTE  
 1 GENERAL TOLERANCE : ±0.3  
 2 CONTACT TINE COPLANALITY ; 0.1mmMAX  
 3 FINISH  
 CONTACT ; Ni UNDER PLATING ALL OVER  
 1.3um MIN.  
 Au PLATING ON SOLDERING AREA  
 0.05um MIN.  
 Au PLATING ON CONTACT AREA  
 0.1um MIN.  
 SHELL ; Ni UNDER PLATING ALL OVER  
 0.8um MIN.  
 Sn PLATING ALL OVER  
 0.75um MIN.  
 4 PLEASE OBSERVE THE TOLERANCE SO THAT  
 THIS DIMENSION INFLUENCE POSITIONING  
 THE PRODUCT(REFER TO DETAIL A,B).

注記  
 1 一般公差 : ±0.3  
 2 コプラナリティ : 0.1mmMAX.  
 3 仕上げ  
 コンタクト : 全面ニッケル下地 1.3um 以上  
 はんだ付け部 金フラッシュメッキ  
 0.05um 以上  
 接点部 金メッキ 0.1um 以上  
 シェル : 全面ニッケル下地 0.8um 以上  
 全面スズメッキ 0.75um 以上  
 4 本寸法は製品の位置決めに影響する寸法  
 ですので、公差を厳守してください  
 (DETAIL A,Bを参照ください)

SMT TERMINAL

THIS DRAWING IS A CONTROLLED DOCUMENT.		DWN	TE Connectivity		
DIMENSIONS: 単位: 耗 mm		CHK			
TOLERANCES UNLESS OTHERWISE SPECIFIED: 一般公差		APVD	NAME 名称		
0 PLC ±		PRODUCT SPEC 製品規格	HDMI TYPE C RECEPTACLE CONNECTOR		
1 PLC ±		APPLICATION SPEC 取付適用規格	SIZE	CAGE CODE	DRAWING NO 番号
2 PLC ±		WEIGHT 0.62g	A3	00779	G-2013978
3 PLC ±		CUSTOMER DRAWING	RESTRICTED TO		
4 PLC ±			SCALE 尺度 5:1	SHEET 2 OF 5	REV B1
ANGLES ±					
FINISH 仕上					

THIS DRAWING IS UNPUBLISHED.

RELEASED FOR PUBLICATION

© COPYRIGHT - By -

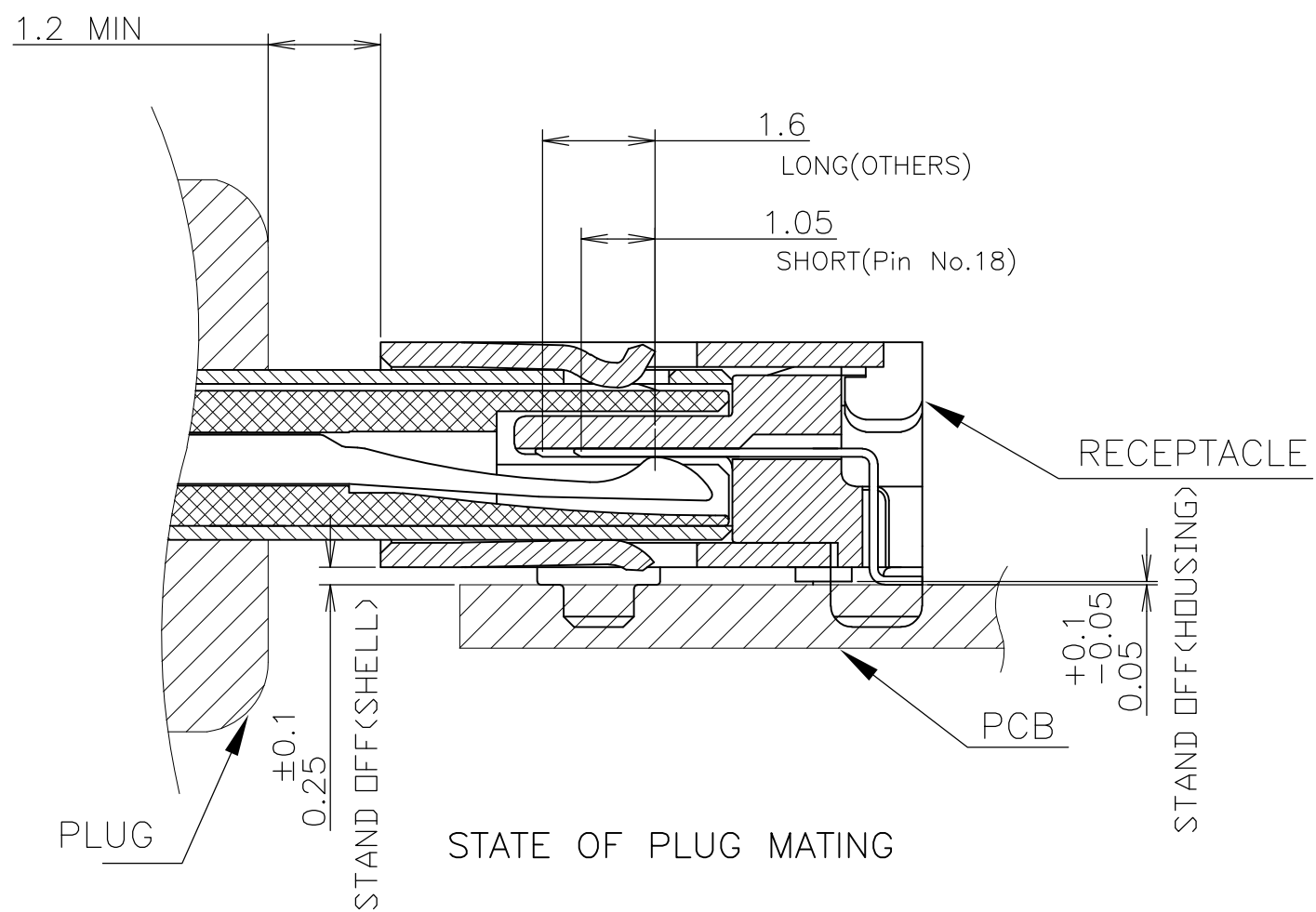
ALL RIGHTS RESERVED.

LOC J DIST

REVISIONS

変更

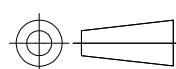
P	LTR	DESCRIPTION	DATE	DWN	APVD
-	-	SEE SHEET 1	-	-	-



STATE OF PLUG MATING

THIS DRAWING IS A CONTROLLED DOCUMENT.

DIMENSIONS:  
単位: 耗  
mm



TOLERANCES UNLESS  
OTHERWISE SPECIFIED:  
一般公差

0 PLC	±
1 PLC	±
2 PLC	±
3 PLC	±
4 PLC	±
ANGLES	±

MATERIAL  
材料

FINISH  
仕上



DWN
CHK
APVD
PRODUCT SPEC 製品規格
APPLICATION SPEC 取付適用規格
WEIGHT



NAME  
名称  
HDMI TYPE C  
RECEPTACLE CONNECTOR

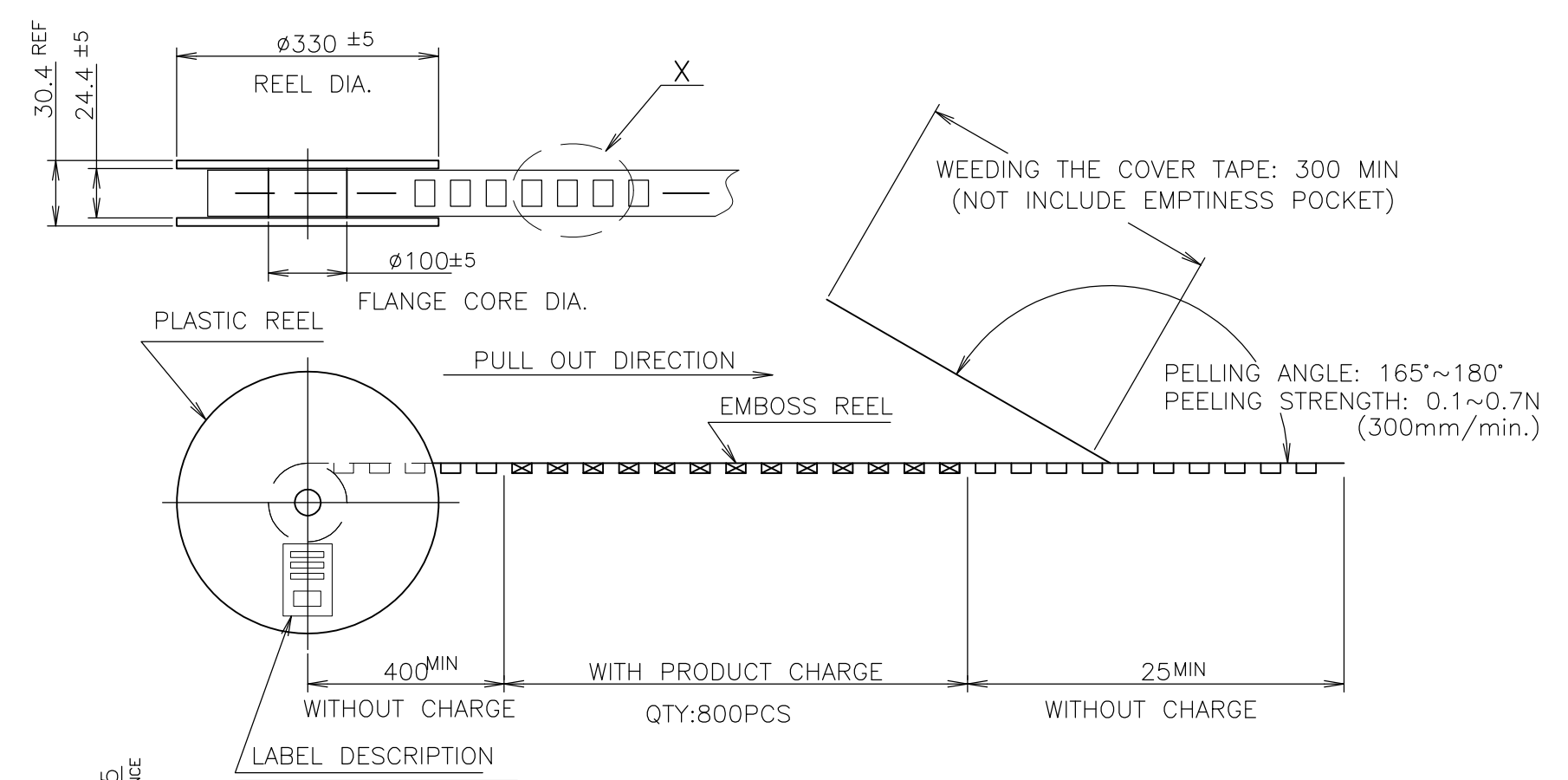
SIZE	CAGE CODE	DRAWING NO 番号	RESTRICTED TO
A3	00779	G-2013978	

CUSTOMER DRAWING SCALE 5:1 SHEET 3 OF 5 REV B1

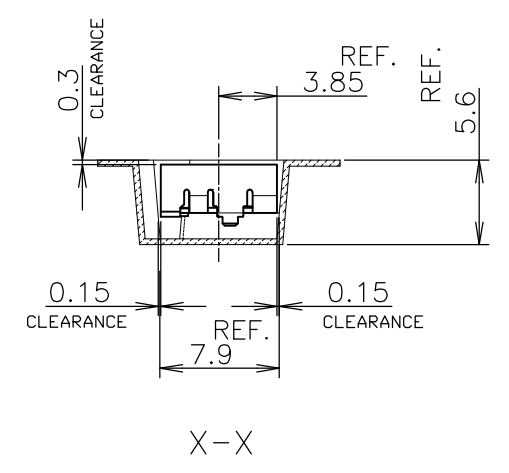
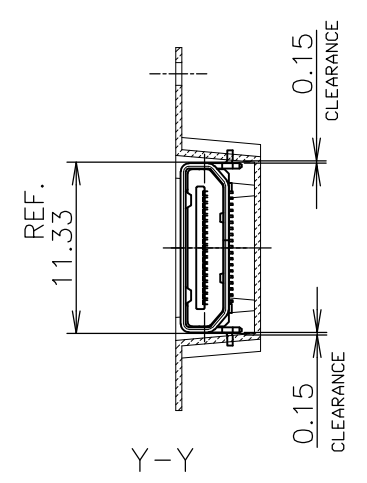
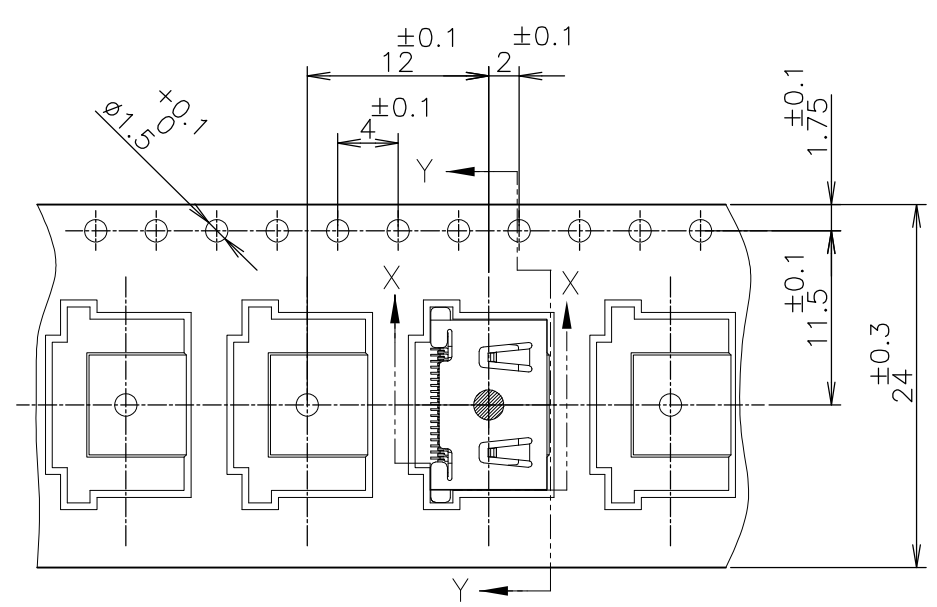
THIS DRAWING IS UNPUBLISHED. RELEASED FOR PUBLICATION  
 © COPYRIGHT - By - ALL RIGHTS RESERVED.

LOC	DIST	REVISIONS				
J		变更	DESCRIPTION	DATE	DWN	APVD
		P	LTR			
		-	SEE SHEET 1	-	-	-

2013978-1;AS SHOWN



PLASTIC REEL  
 PULL OUT DIRECTION  
 EMBOSS REEL  
 WEEDING THE COVER TAPE: 300 MIN (NOT INCLUDE EMPTINESS POCKET)  
 PELLING ANGLE: 165°~180°  
 PEELING STRENGTH: 0.1~0.7N (300mm/min.)

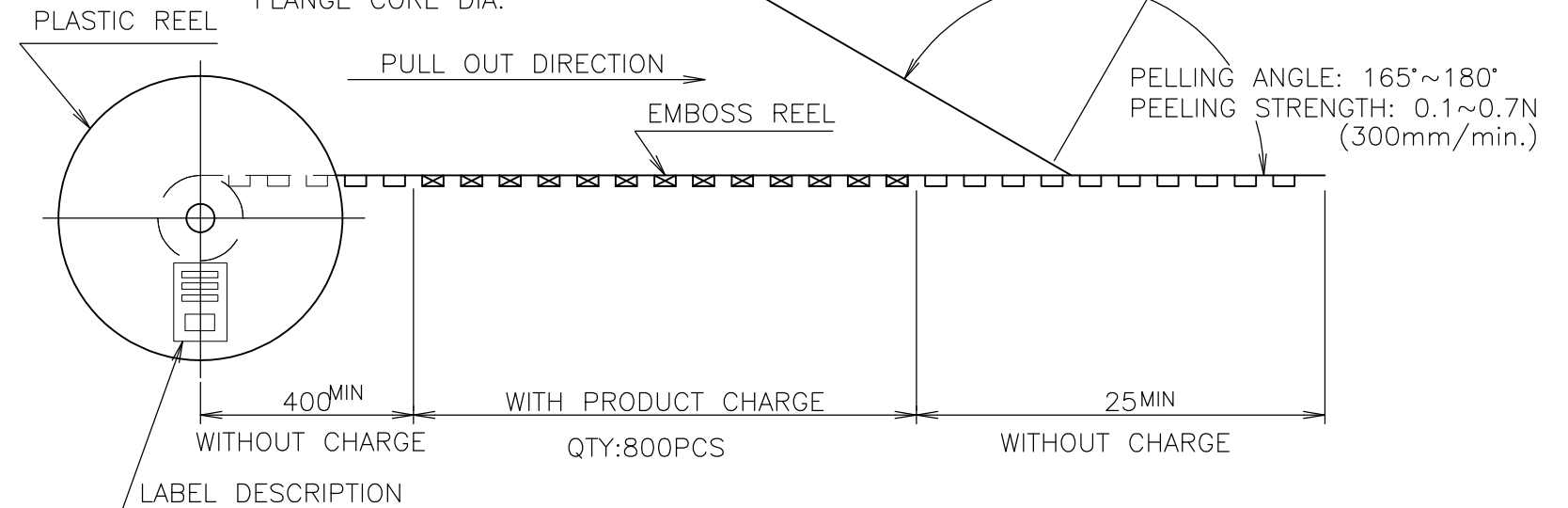
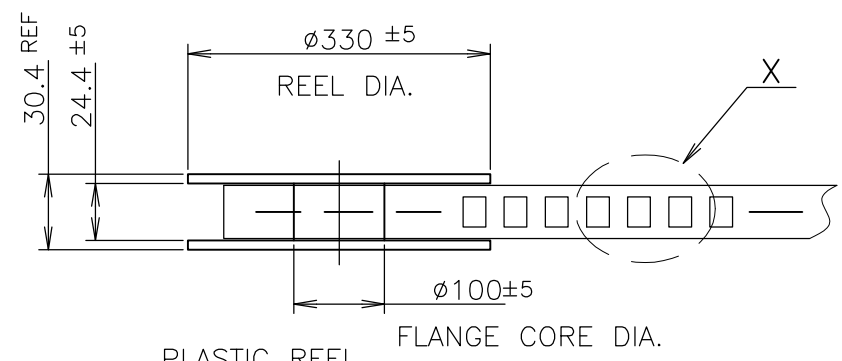
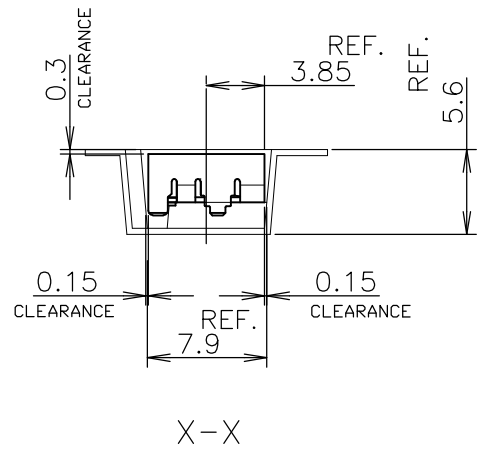
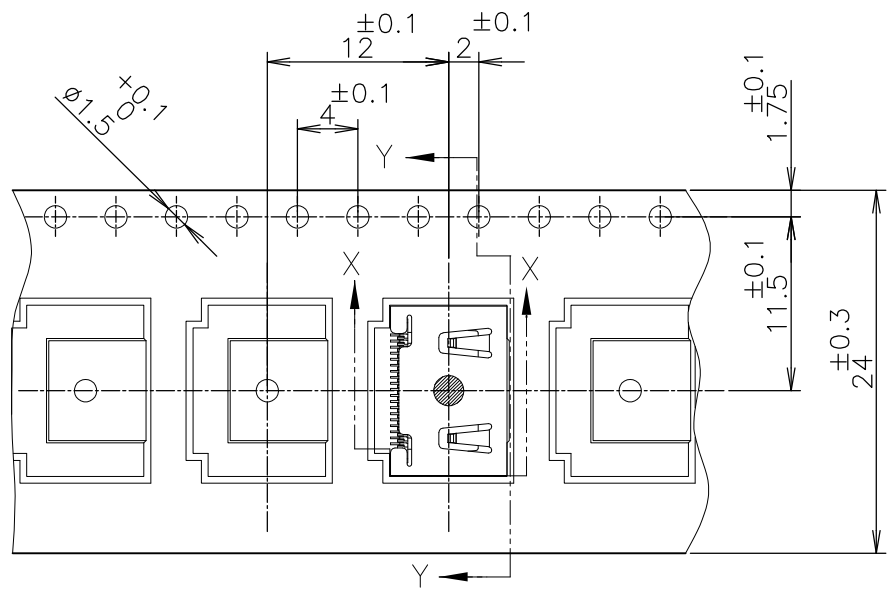


THIS DRAWING IS A CONTROLLED DOCUMENT.		DWN	TE Connectivity		
DIMENSIONS: 单位: 耗 mm		CHK			
TOLERANCES UNLESS OTHERWISE SPECIFIED: 一般公差		APVD	NAME 名称		
0 PLC ±		PRODUCT SPEC 製品規格	HDMI TYPE C RECEPTACLE CONNECTOR		
1 PLC ±		APPLICATION SPEC 取付適用規格	SIZE	CAGE CODE	DRAWING NO 番号
2 PLC ±		MATERIAL 材料	A3	00779	G-2013978
3 PLC ±			WEIGHT	RESTRICTED TO	
4 PLC ±		FINISH 仕上	CUSTOMER DRAWING		
ANGLES ±			SCALE 尺度 5:1	SHEET 4 OF 5	REV B1

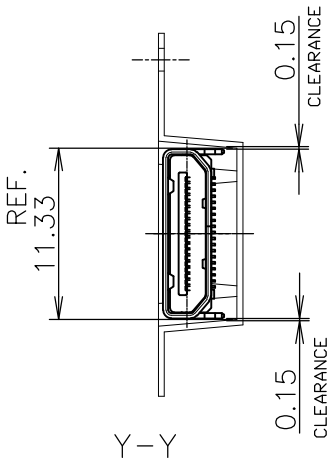
THIS DRAWING IS UNPUBLISHED. RELEASED FOR PUBLICATION  
 © COPYRIGHT - By - ALL RIGHTS RESERVED.

LOC	DIST	REVISIONS 变更			DATE	DWN	APVD
J		P	LTR	DESCRIPTION			
		-		SEE SHEET 1	-	-	-

2013978-2;AS SHOWN



LABEL DESCRIPTION  
 TYCO P/N:  
 QTY:  
 D/C:  
 MADE IN CHINA



THIS DRAWING IS A CONTROLLED DOCUMENT.		DWN	TE Connectivity			
DIMENSIONS: 单位: 耗 mm		CHK				
TOLERANCES UNLESS OTHERWISE SPECIFIED: 一般公差		APVD	NAME 名称			
0 PLC ± 1 PLC ± 2 PLC ± 3 PLC ± 4 PLC ± ANGLES ±		PRODUCT SPEC 製品規格	HDMI TYPE C RECEPTACLE CONNECTOR			
MATERIAL 材料		APPLICATION SPEC 取付適用規格	SIZE	CAGE CODE	DRAWING NO 番号	RESTRICTED TO
FINISH 仕上		WEIGHT	A3	00779	G-2013978	
CUSTOMER DRAWING			SCALE 尺度	SHEET	REV	
			5:1	5 OF 5	B1	

## X-ON Electronics

Largest Supplier of Electrical and Electronic Components

*Click to view similar products for [HDMI, Displayport & DVI Connectors](#) category:*

*Click to view products by [TE Connectivity](#) manufacturer:*

Other Similar products are found below :

[1775247-3](#) [2-1932649-5](#) [30-1231](#) [30-528](#) [2069485-1](#) [30-504](#) [30-519](#) [30-542](#) [47648-2000](#) [2002-400](#) [769-103/021-000](#) [1932649-1](#) [233-368NFG6-17NH](#) [PJ-210A](#) [PJ-35825](#) [6321-026RDS1MWA02](#) [FDB0901-M0DB300K6KF](#) [3VD51203-3D6A-7H](#) [DV11201-H5R6-4F](#) [RPI-16337](#) [CC-MDPM-VGAM-6](#) [RPI-16338](#) [CCB-HDMIL-1.5M](#) [CCB-HDMIL-1M](#) [CCB-HDMIL-2M](#) [CCB-HDMIL-3M](#) [CCB-HDMIL-5M](#) [CCB-HDMIL-7.5M](#) [CCBP-HDMI-10M](#) [CCBP-HDMI-1M](#) [CCBP-HDMI-2M](#) [CCBP-HDMI-3M](#) [CCBP-HDMI-5M](#) [CCBP-HDMI-7.5M](#) [CCBP-HDMI8K-1M](#) [CCBP-HDMI8K-2M](#) [CCBP-HDMI8K-3M](#) [AK-AV-02](#) [AK-AV-03](#) [AK-AV-05](#) [AK-AV-11](#) [AK-AV-13](#) [AK-AV-15](#) [CCP-MDP2-6](#) [CCP-MDPMDP2-6](#) [AK-HD-05A](#) [AK-HD-100A](#) [AK-HD-100P](#) [AK-HD-15A](#) [AK-HD-15P](#)