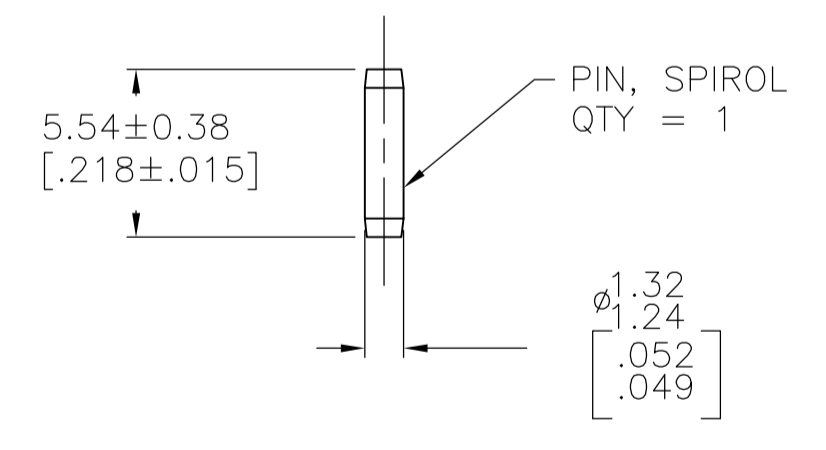
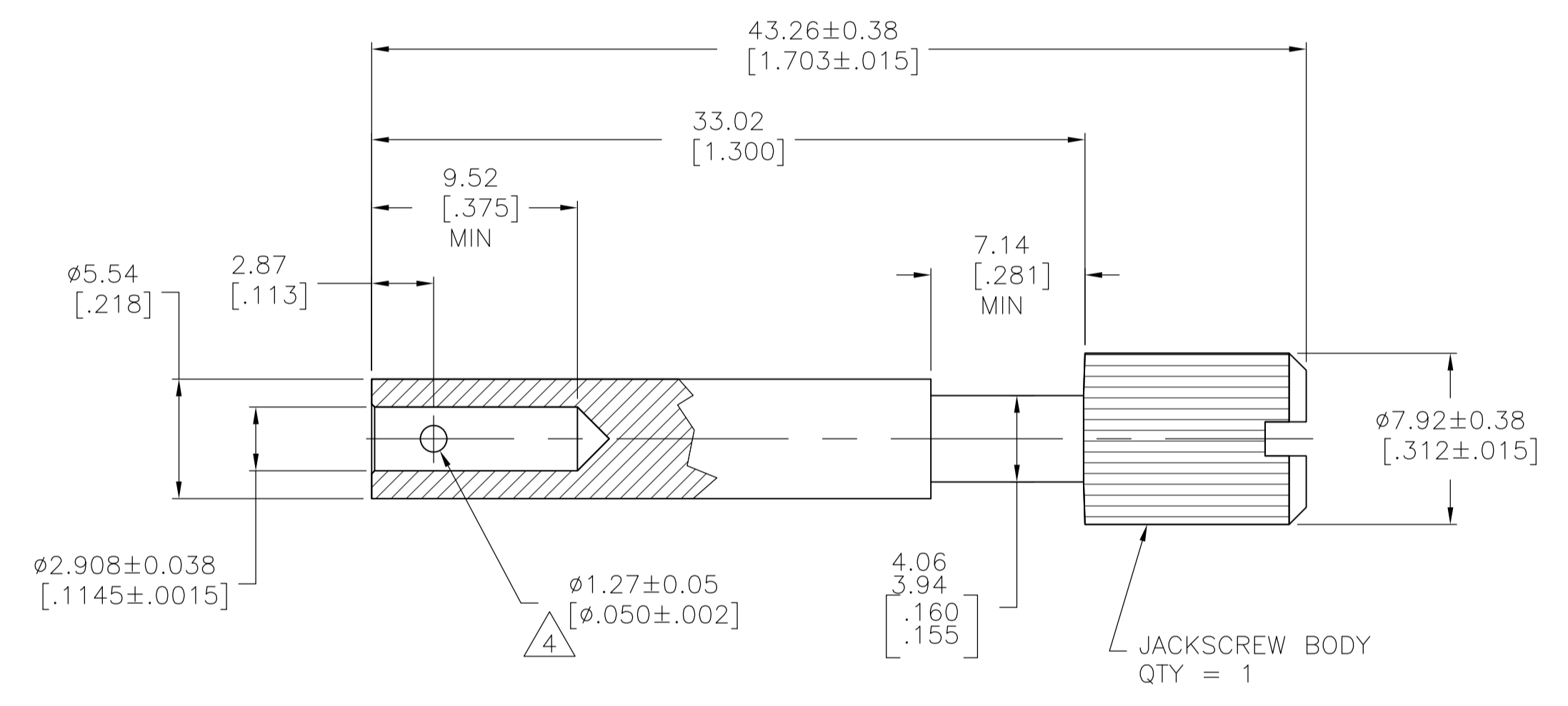
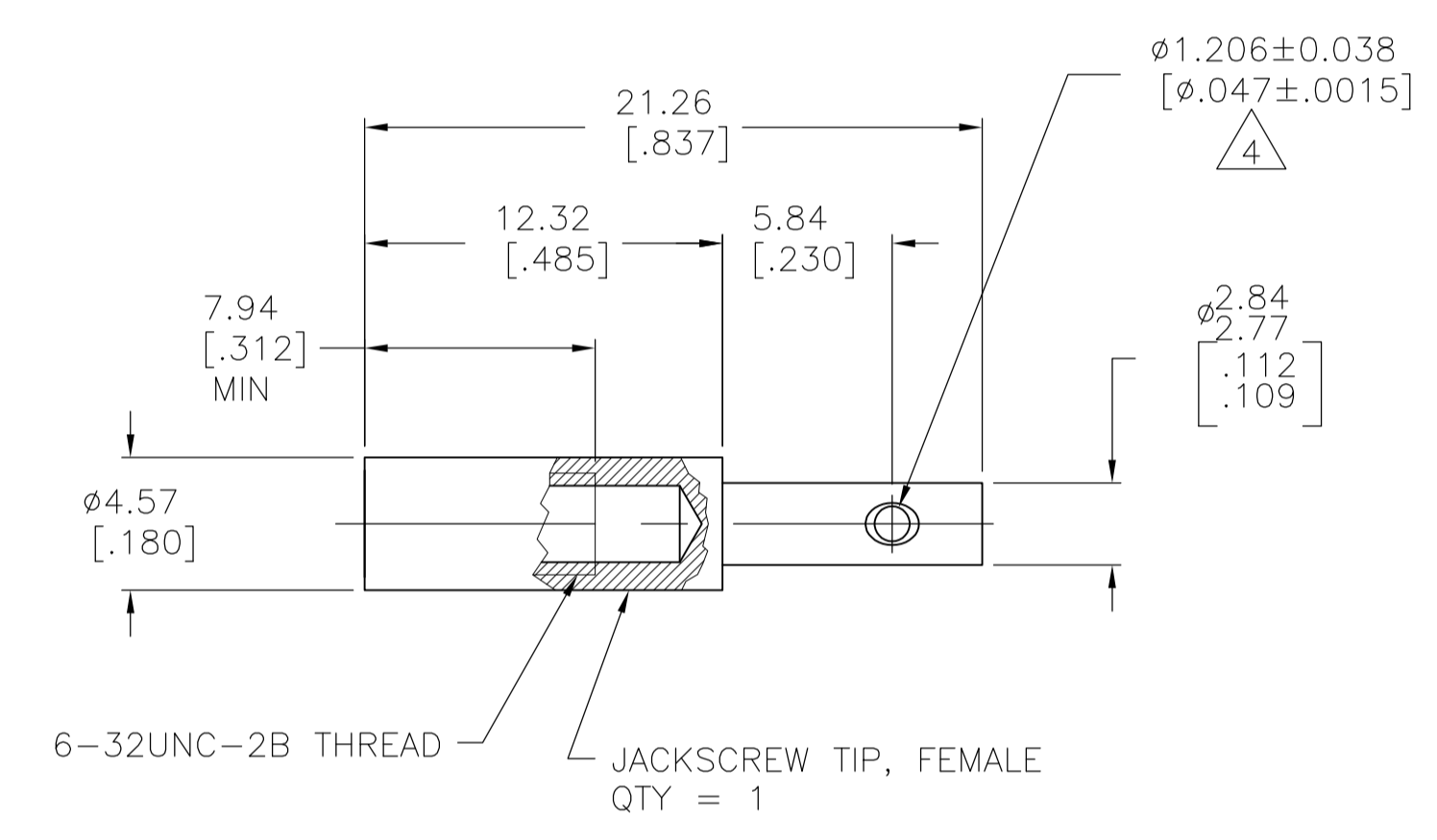


REVISIONS				
P	LTR	DESCRIPTION	DATE	APPV
M1		REVISED PER ECO-16-004000	28SEP2016	NK MZ

- 1 ZINC.
- 2 STAINLESS STEEL.
- 3 TO ASSEMBLE JACKSCREW REFER TO INSTRUCTION SHEET #1189.
- 4 HOLE CENTRALLY LOCATED WITHIN ± 0.07 [.003] OF THE 5.54 [.218] DIA AND THE 2.77/2.84 [.109/.112] DIA CENTER LINES.
- 5 CHROMATE CONVERSION, CLEAR.
- 7 NON-HEXAVALENT CHROMATE COATING ON JACKSCREW BODY.
- 8 SPECIAL PACKAGING - ONE UNASSEMBLED UNIT PER BAG



OBSOLETE	8	7	-201414-5-
	7	7	201414-4
	7	7	201414-1
NOTES			PART NUMBER

THIS DRAWING IS A CONTROLLED DOCUMENT.		DIN	K. FOLTZ	10/18/94
DIMENSIONS: mm [INCHES]		CHK	R. STONE	11/07/94
TOLERANCES UNLESS OTHERWISE SPECIFIED:		APVD		
0. PLC	± -	NAME		
1. PLC	± -	PRODUCT SPEC		
2. PLC	± -	APPLICATION SPEC		
3. PLC	± 0.13 [.005]	SIZE		
4. PLC	± -	CAGE CODE		
ANGLES	± -	DRAWING NO		
MATERIAL	JACKSCREW BODY: 1	WEIGHT		
JACKSCREW TIP: 2	PIN: PASSIVATED	A1 00779 C=201414		
PIN: 3		CUSTOMER DRAWING		
		SCALE 4:1 SHEET 1 OF 1 REV M1		

X-ON Electronics

Largest Supplier of Electrical and Electronic Components

Click to view similar products for [Rack & Panel Connectors](#) category:

Click to view products by [TE Connectivity](#) manufacturer:

Other Similar products are found below :

[00171410002](#) [00171420202](#) [00171440002](#) [02-014-013-5200-000](#) [613467-000](#) [CTJ112E01E-513](#) [CTJ116E03A-513](#) [66020-2](#) [CW8958-000](#)
[699886-000](#) [D250-50632](#) [70.400.3240.0](#) [70.955.2453.3](#) [733753-000](#) [F22831-000](#) [780-522-DPX34RG8-02](#) [8660-501](#) [87.060.0053.0](#)
[900709N001](#) [928358-1](#) [D-659-0061](#) [1-445717-6](#) [1484469-2](#) [1604997-2](#) [MTC100-BF1-P31CS015](#) [MTC100-KT2-0083](#) [MTC100-KT2-0123-](#)
[003](#) [MTC100-YA1-005](#) [MTCQKT1R2PGCA](#) [MTCR-103-04S](#) [MTCX1X-100-100CS025](#) [1738331-1](#) [1757667-1](#) [1811481-1](#) [1883433-1](#)
[201046-7](#) [202648-4](#) [213364-1](#) [226503-000](#) [937028-164](#) [1663130-2](#) [172305-4](#) [F36711-000](#) [202355-2](#) [202356-2](#) [G16S-A](#) [G20S-AB](#) [CHA-](#)
[0017-003](#) [CHA-0296](#) [354654-000](#)