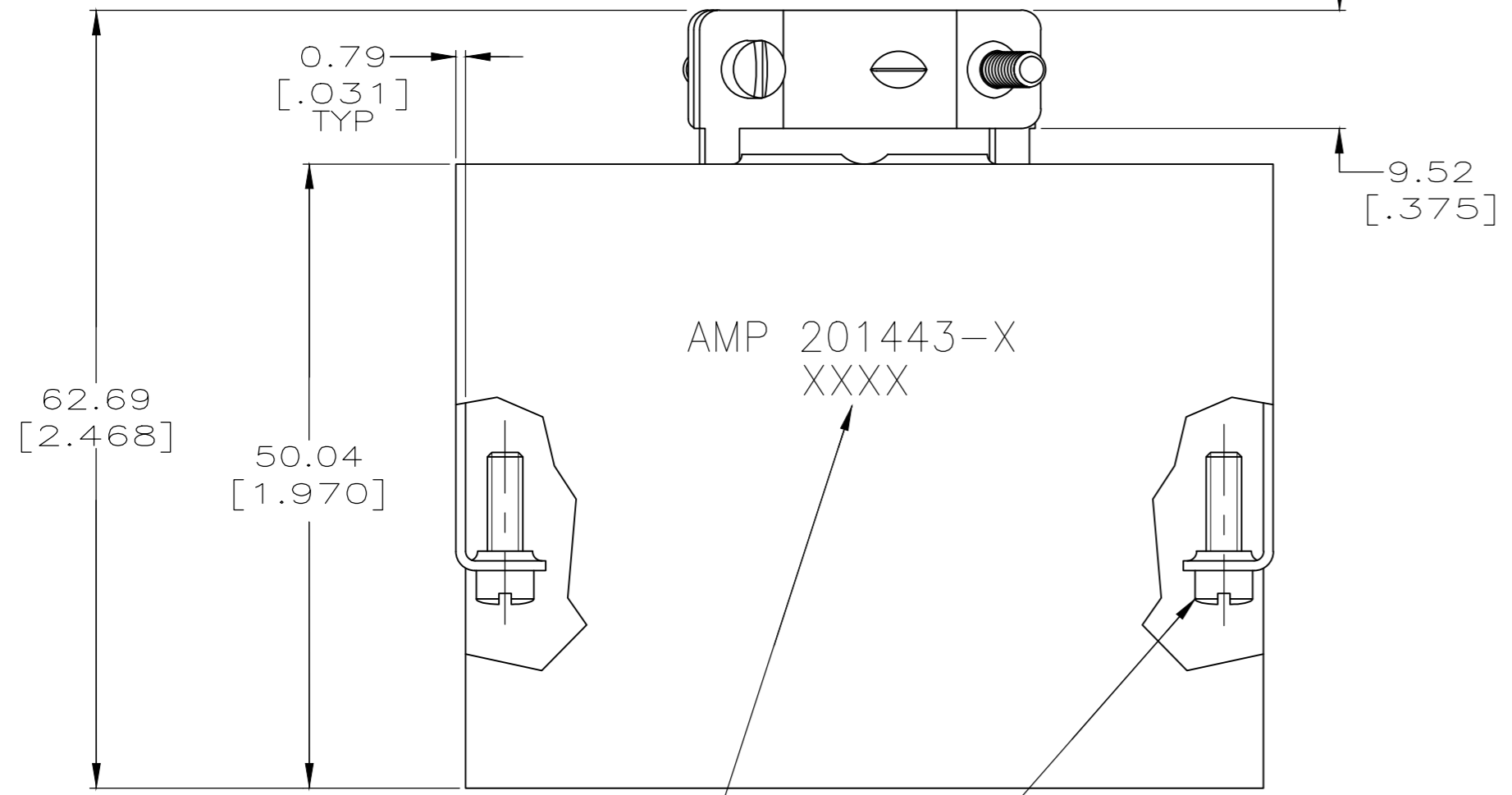
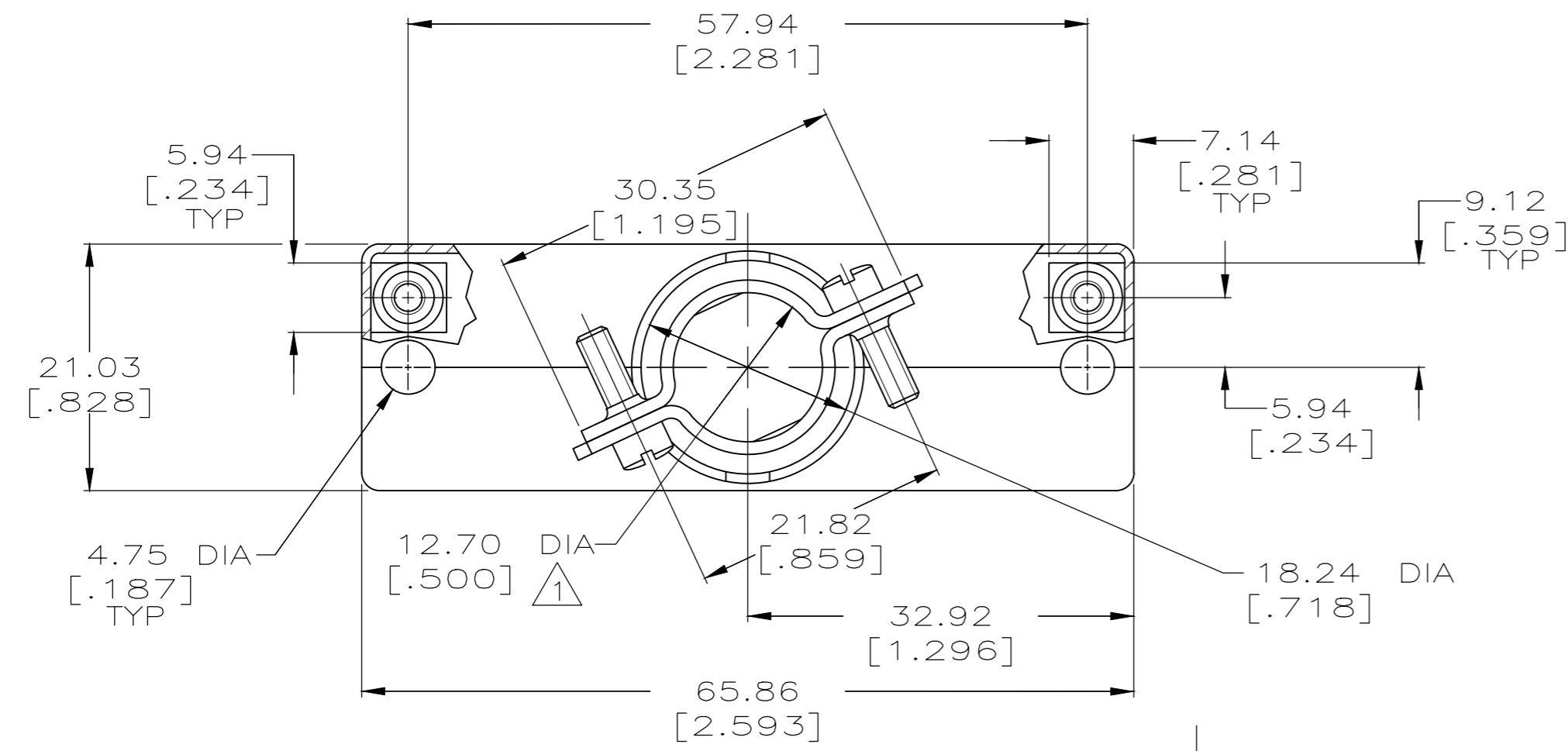


THIS DRAWING IS UNPUBLISHED. RELEASED FOR PUBLICATION
 © COPYRIGHT - TE Connectivity Ltd. ALL RIGHTS RESERVED.

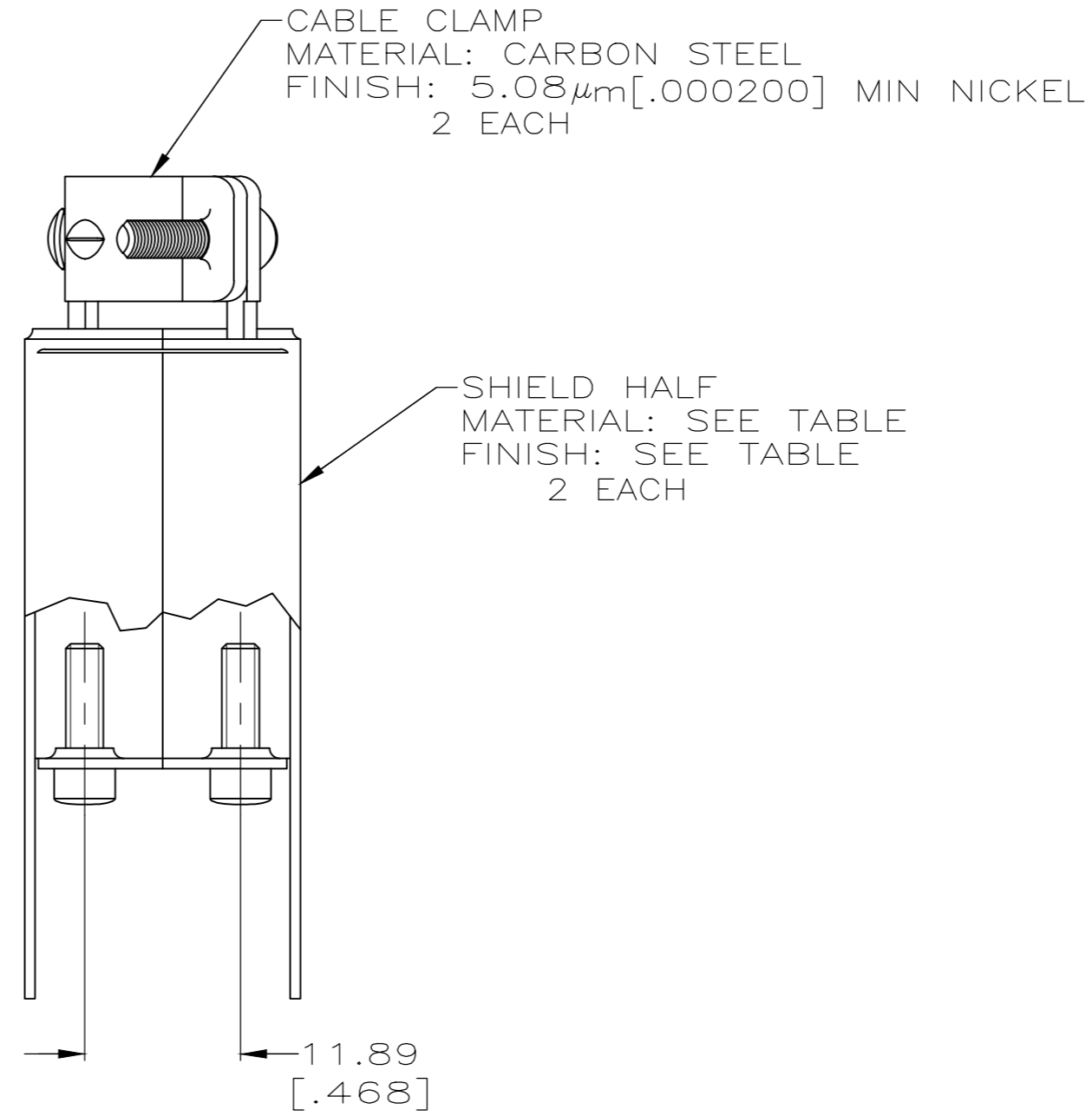
REVISIONS				
P	LTR	DESCRIPTION	DATE	APVD
P		REVISED PER ECO-18-007239	18MAY2018	KH MZ



AMP, PART NUMBER AND DATE CODE, BLACK INK STAMPED OR LASER MARKED IN THIS AREA

1 CLAMP AREA ACCEPTS 50 WIRES OF 1.65[.065] MAX OUTSIDE DIAMETER.

#4-40 UNC-2A SCREW
 MATERIAL: CARBON STEEL
 FINISH: ZINC PLATED
 6 EACH



5.08µm [.000200] MIN NICKEL	CARBON STEEL	201443-2
CLEAR ANODIZED	ALUMINUM ALLOY	201443-1
FINISH	MATERIAL	PART NO
SHIELD HALF		

THIS DRAWING IS A CONTROLLED DOCUMENT.		DWN	K.FOLTZ	10/26/94	 TE Connectivity Ltd.		
DIMENSIONS:		CHK	R.STONE	11/07/94			
mm [INCHES]		APVD	T.COULSON	01/26/95			
TOLERANCES UNLESS OTHERWISE SPECIFIED:		PRODUCT SPEC					
0 PLC	± -	APPLICATION SPEC			NAME	SHIELD KIT, UNASSEMBLED, LONG 50 POSITION, M SERIES	
1 PLC	± -				SIZE	A2	
2 PLC	± 0.38 [.015]				CAGE CODE	00779	
3 PLC	± -				DRAWING NO	C=201443	
4 PLC	± -				RESTRICTED TO	-	
ANGLES	± -				WEIGHT	0	
MATERIAL	FINISH				CUSTOMER DRAWING	SCALE	2:1
SEE CALLOUTS	SEE CALLOUTS				SHEET	1 of 1	
					REV	P	

X-ON Electronics

Largest Supplier of Electrical and Electronic Components

Click to view similar products for [Rack & Panel Connectors](#) category:

Click to view products by [TE Connectivity](#) manufacturer:

Other Similar products are found below :

[00171410002](#) [00171420202](#) [00171440002](#) [02-014-013-5200-000](#) [613467-000](#) [CTJ112E01E-513](#) [CTJ116E03A-513](#) [66020-2](#) [CW8958-000](#)
[699886-000](#) [D250-50632](#) [70.400.3240.0](#) [70.955.2453.3](#) [733753-000](#) [F22831-000](#) [780-522-DPX34RG8-02](#) [8660-501](#) [87.060.0053.0](#)
[900709N001](#) [928358-1](#) [D-659-0061](#) [1-445717-6](#) [1484469-2](#) [1604997-2](#) [MTC100-BF1-P31CS015](#) [MTC100-KT2-0083](#) [MTC100-KT2-0123-](#)
[003](#) [MTC100-YA1-005](#) [MTCQKT1R2PGCA](#) [MTCR-103-04S](#) [MTCX1X-100-100CS025](#) [1738331-1](#) [1757667-1](#) [1811481-1](#) [1883433-1](#)
[201046-7](#) [202648-4](#) [213364-1](#) [226503-000](#) [937028-164](#) [1663130-2](#) [172305-4](#) [AC-660022-701BP](#) [F36711-000](#) [202355-2](#) [202356-2](#) [G16S-A](#)
[G20S-AB](#) [CHA-0017-003](#) [CHA-0296](#)