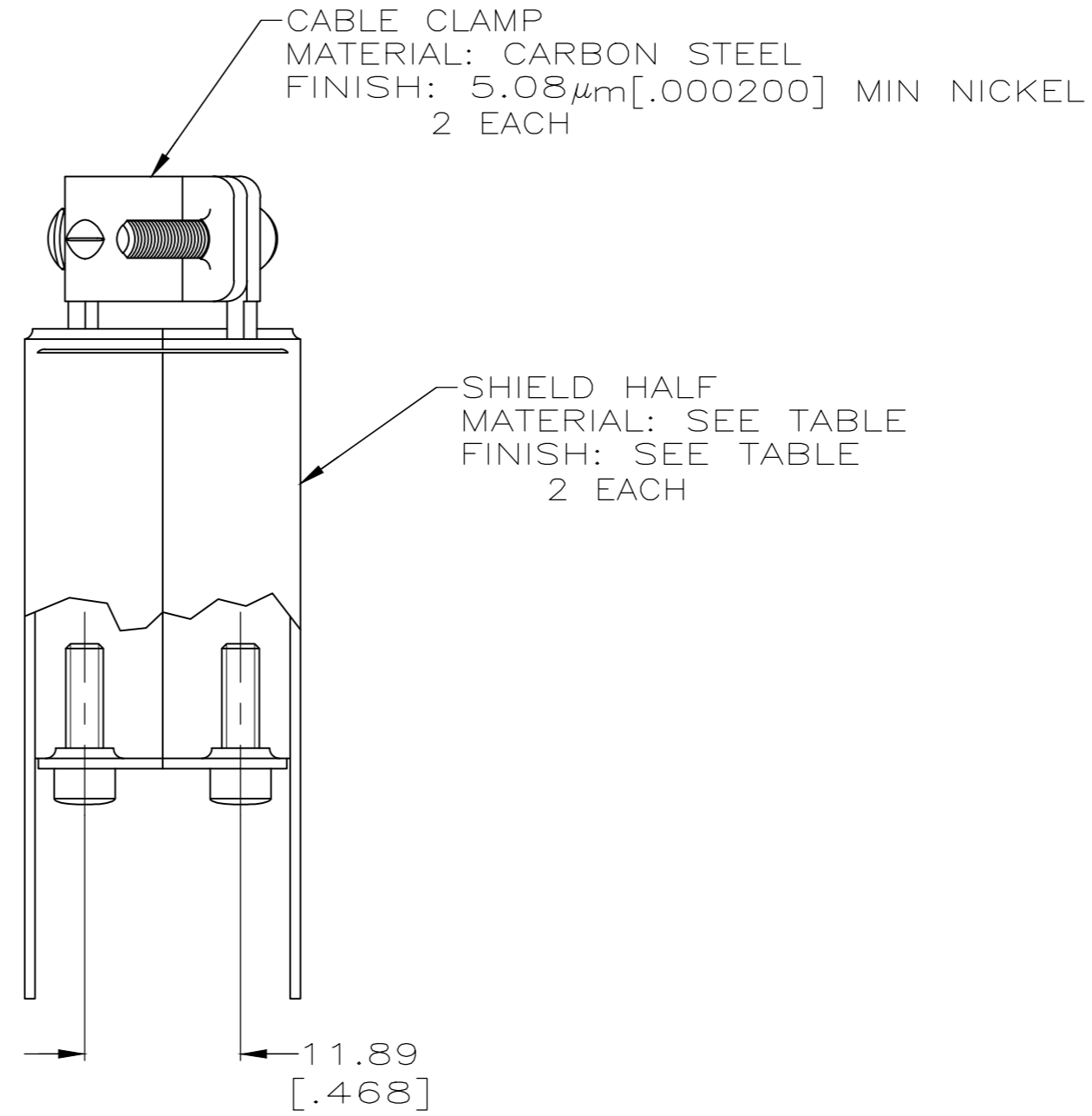
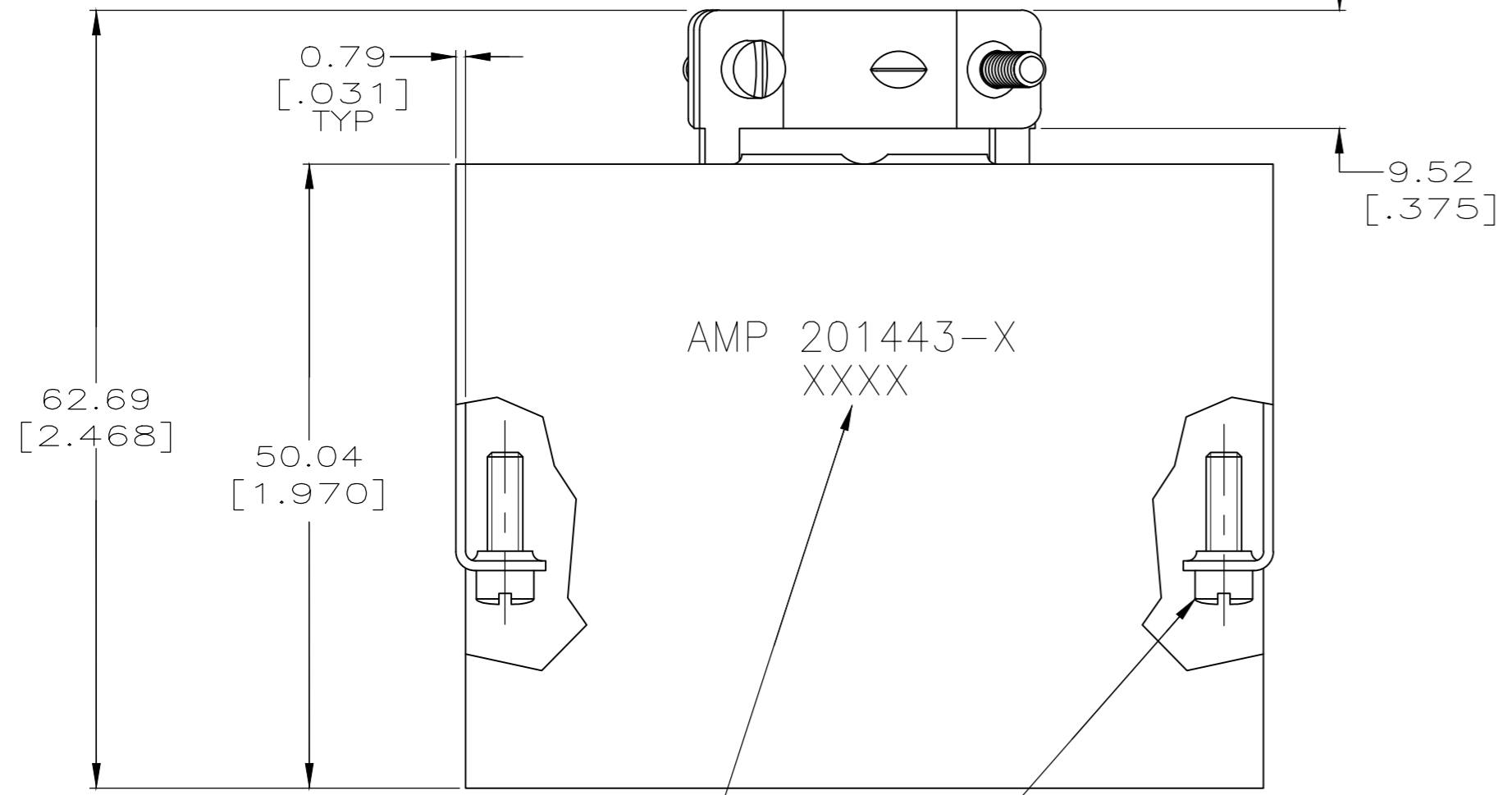
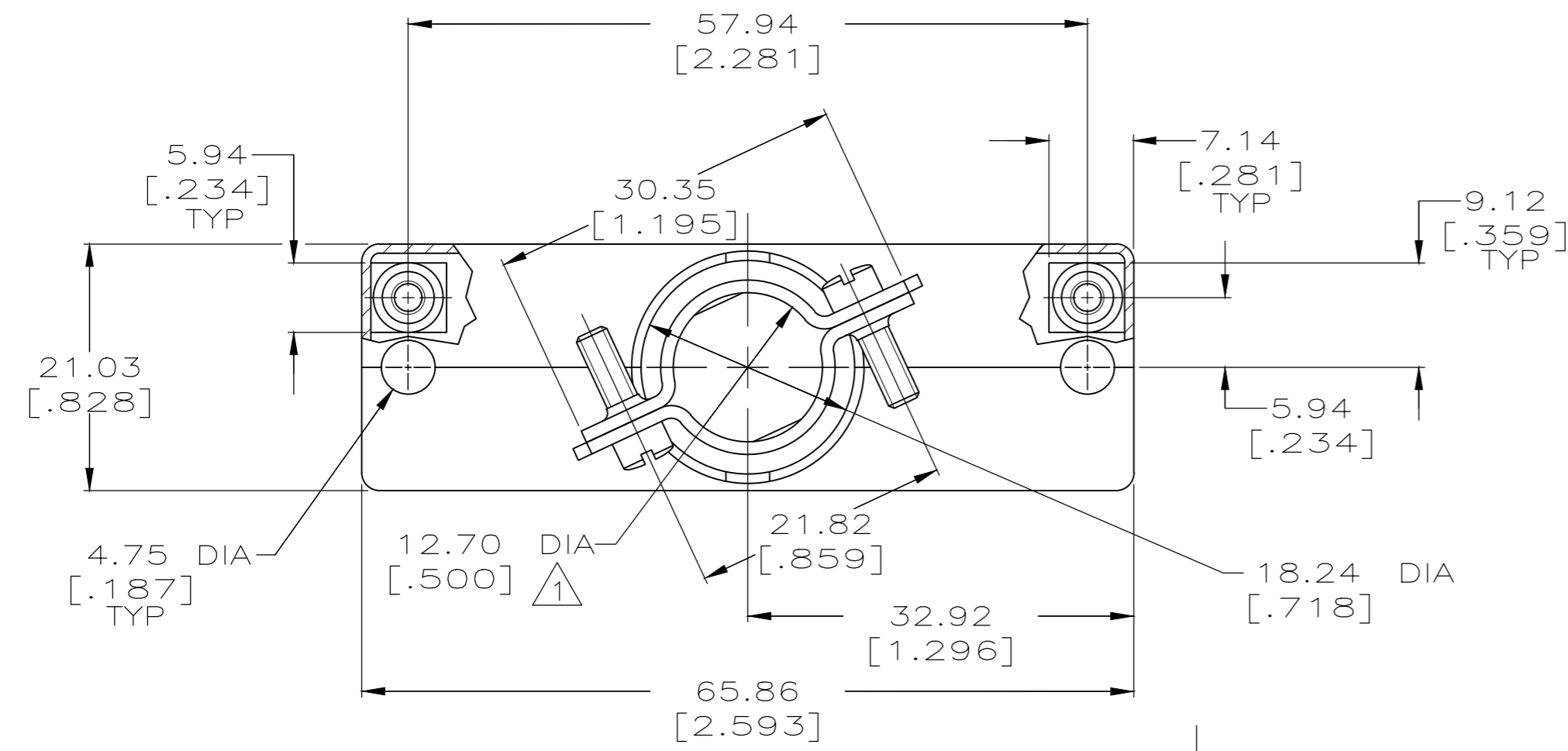


THIS DRAWING IS UNPUBLISHED. RELEASED FOR PUBLICATION
 © COPYRIGHT - TE Connectivity Ltd. ALL RIGHTS RESERVED.

REVISIONS				
P	LTR	DESCRIPTION	DATE	APVD
P		REVISED PER ECO-18-007239	18MAY2018	KH MZ



AMP, PART NUMBER AND DATE CODE, BLACK INK STAMPED OR LASER MARKED IN THIS AREA

#4-40 UNC-2A SCREW MATERIAL: CARBON STEEL FINISH: ZINC PLATED 6 EACH

⚠ CLAMP AREA ACCEPTS 50 WIRES OF 1.65 [.065] MAX OUTSIDE DIAMETER.

5.08µm [.000200] MIN NICKEL	CARBON STEEL	201443-2
CLEAR ANODIZED	ALUMINUM ALLOY	201443-1
FINISH	MATERIAL	PART NO
SHIELD HALF		

THIS DRAWING IS A CONTROLLED DOCUMENT.		DWN	10/26/94	TE Connectivity Ltd.
DIMENSIONS: mm [INCHES]		CHK	11/07/94	
TOLERANCES UNLESS OTHERWISE SPECIFIED:		APVD	01/26/95	
0 PLC ± - 1 PLC ± - 2 PLC ± 0.38 [.015] 3 PLC ± - 4 PLC ± - ANGLES ± -		NAME	T.COULSON	
MATERIAL SEE CALLOUTS		FINISH	SEE CALLOUTS	SHIELD KIT, UNASSEMBLED, LONG 50 POSITION, M SERIES
WEIGHT		0	SIZE	A2
CUSTOMER DRAWING		SCALE	2:1	CAGE CODE
		SHEET	1 of 1	DRAWING NO
		REV	P	RESTRICTED TO
				00779
				201443

X-ON Electronics

Largest Supplier of Electrical and Electronic Components

Click to view similar products for [Rack & Panel Connectors](#) category:

Click to view products by [TE Connectivity](#) manufacturer:

Other Similar products are found below :

[00171410002](#) [00171420202](#) [00171440002](#) [02-014-013-5200-000](#) [613467-000](#) [CTJ112E01E-513](#) [CTJ116E03A-513](#) [66020-2](#) [CW8958-000](#)
[699886-000](#) [D250-50632](#) [70.400.3240.0](#) [70.955.2453.3](#) [733753-000](#) [F22831-000](#) [780-522-DPX34RG8-02](#) [8660-501](#) [87.060.0053.0](#)
[900709N001](#) [928358-1](#) [D-659-0061](#) [1-445717-6](#) [1484469-2](#) [1604997-2](#) [MTC100-BF1-P31CS015](#) [MTC100-KT2-0083](#) [MTC100-KT2-0123-](#)
[003](#) [MTC100-YA1-005](#) [MTCQKT1R2PGCA](#) [MTCR-103-04S](#) [MTCX1X-100-100CS025](#) [1738331-1](#) [1757667-1](#) [1811481-1](#) [1883433-1](#)
[201046-7](#) [202648-4](#) [213364-1](#) [226503-000](#) [937028-164](#) [1663130-2](#) [172305-4](#) [F36711-000](#) [202355-2](#) [202356-2](#) [G16S-A](#) [G20S-AB](#) [CHA-](#)
[0017-003](#) [CHA-0296](#) [354654-000](#)