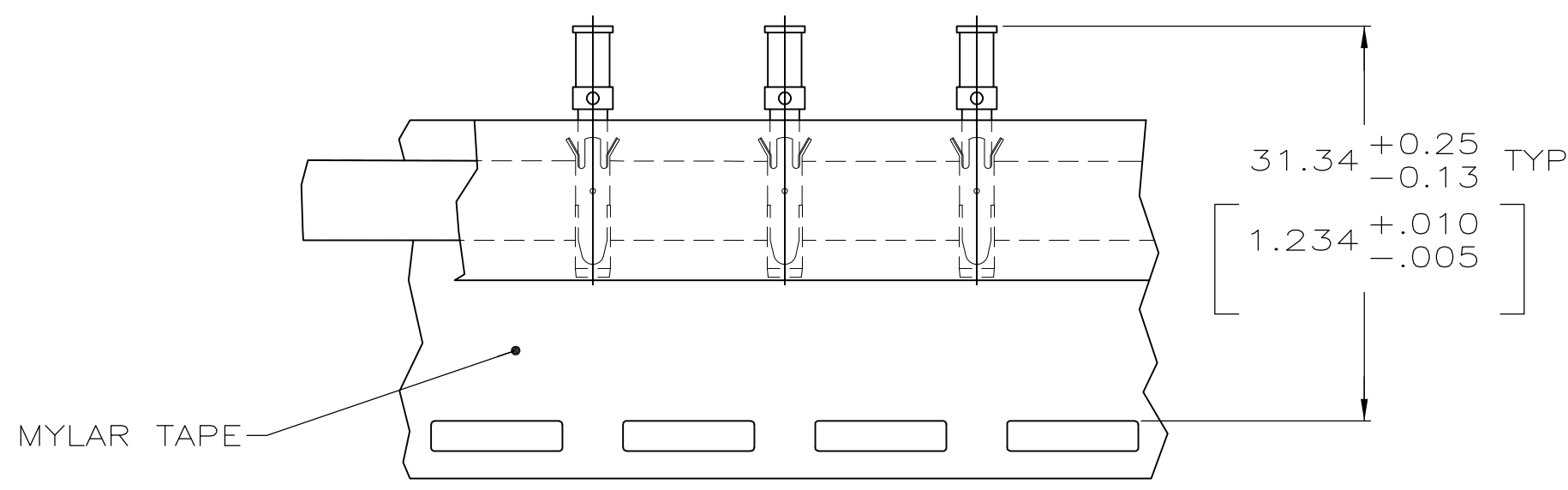
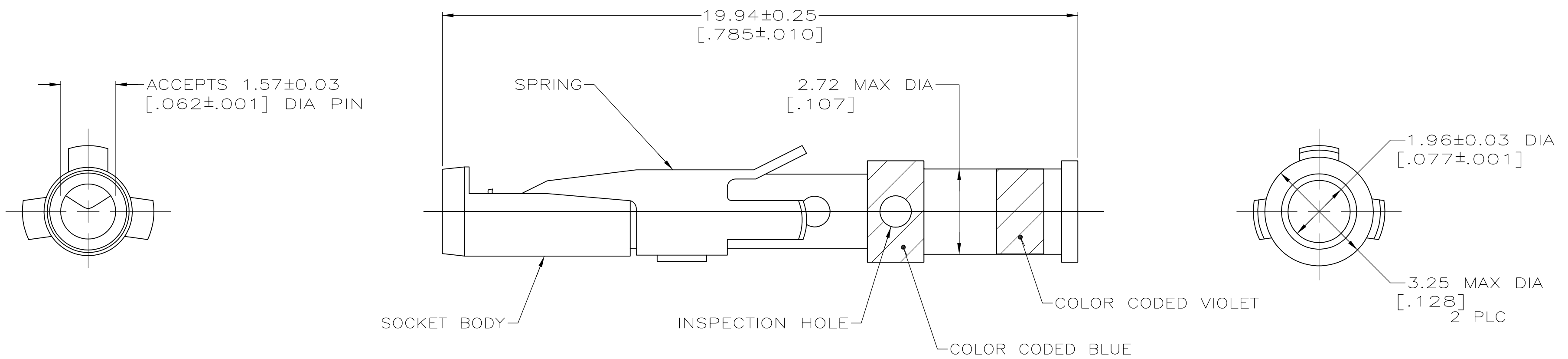


MOD	LOC	DIST	P	F	ZONE	LTR	DESCRIPTION	DATE	APPD
4	BD	39				U	ADDED -8 NPR 4680 AND REDRAWN ON CAD, OBS -4 EC 0020-344-93	04/06/93	-
						U1	REVISED PER ECO-09-020935	08SEP09	KK AEG



TAPE MTG DETAIL
SCALE 2:1

- △ 0.76µm [.000030] MIN GOLD OVER 1.27µm [.000050] MIN NICKEL.
- △ 1.27µm [.000050] MIN GOLD OVER 1.27µm [.000050] MIN NICKEL.
- △ WHEN ORDERING CONTACT ASSEMBLY ON TAPE, ORDER BY THE TAPE NUMBER PLUS THE PACKAGING CODE AS FOLLOWS:
 1. FOR USE WITH AMP TAPETRONIC, PNEUMATIC TOOL-
 - A. 1000 PARTS TO A BOX ADD PACKAGING CODE: 1MBOX
 2. FOR USE WITH 4/8 INDENT STRIPPER CRIMPER-
 - A. 1000 PARTS TO A REEL ADD PACKAGING CODE: 1MREEL
 - B. 5000 PARTS TO A REEL ADD PACKAGING CODE: 5MREEL
- △ OBSOLETE PARTS: OBSOLETE CIS STREAMLINING PER D.RENAUD/D.SINISI

△ 4	OBSOLETE	SMALL PACK	△ 1	-201568-8-
	OBSOLETE	STANDARD	△ 2	201568-4
		TAPE MTG (SEE DETAIL) △ 3	△ 1	201568-3
		STANDARD	△ 1	201568-1
		PACKAGING TYPE	SOCKET BODY FINISH	PART NO
DO NOT SCALE PRINT. UNLESS SPECIFIED DIMENSIONS IN mm [INCHES] TOLERANCES ON :		DR 04/06/93 D.GELTZ	AMP Incorporated Harrisburg, PA 17105-3608	
2 PLC DEC ± -		CHK 4-26-93 R.STONE		
3 PLC DEC ± -		APPD 4-29-93 R.S.KLINE	NAME	
ANGLES ± -		APPD -	CONTACT ASSEMBLY, SOCKET, #16, 14 AWG, TYPE II	
MATERIAL		PRODUCT SPEC		
SOCKET BODY: COPPER ALLOY		APPLICATION SPEC	SIZE	CAGE CODE
SPRING: STAINLESS STEEL			SCALE	DRAWING NO
FINISH				
SOCKET BODY: SEE TABLE			10:1	00779
		WEIGHT		C-201568
				SHEET 1 OF 1

THIS DRAWING IS A CONTROLLED DOCUMENT FOR AMP INCORPORATED. IT IS SUBJECT TO CHANGE AND THE CONTROLLING ENGINEERING ORGANIZATION SHOULD BE CONTACTED FOR THE LATEST REVISION.

X-ON Electronics

Largest Supplier of Electrical and Electronic Components

Click to view similar products for [Standard Circular Contacts](#) category:

Click to view products by [TE Connectivity](#) manufacturer:

Other Similar products are found below :

[RC16M23J](#) [133780-1](#) [RM20M13D28](#) [RM24M9D28](#) [RMMX110-1D28](#) [MS3474W10-6P L/C](#) [ELVP16100E](#) [164-901-CD](#) [EN3545007SCE](#)
[BV002BSQ20049CZ](#) [BV002SSQ160404CZ](#) [1900ND05S1B00B](#) [192900-0718](#) [166566-1](#) [1900ND04S1X00D](#) [ST-JL05-16S-C3-100](#) [ST-JL05-20S-C1-100](#) [ST-JL05-20S-C2-100](#) [T01-CRIMP-S03](#) [APK-SA16A07-002](#) [27963-15T12](#) [CONT-JL05-08S-C2-10](#) [CONT-JL05-12S-C1-10](#)
[RC16M-23T](#) [RFD26L-1D28](#) [BV002ASJ16049CW](#) [JN1-22-20S-R-PKG100](#) [031-50213](#) [031-50565](#) [031-50794](#) [SJS861301M](#) [ST-JL05-16S-C1-100](#) [ST-JL05-20P-C1-100](#) [82911466K](#) [192991-0087](#) [192900-0570](#) [44-100-1414P-1000-101](#) [T3P16FC3LZ](#) [ST-JL05-16S-C2-3500](#) [ZP-4016-10NF](#) [CONT-JL05-12P-C1-10](#) [RM20M12G8D28](#) [031-50676](#) [12115010110](#) [RJFTVC2MG](#) [CAP-DACMDPC2](#) [031-50675-002](#) [CAP-DD1FDPC2](#) [CAP-DACMDPC1](#) [031-50966-010](#)