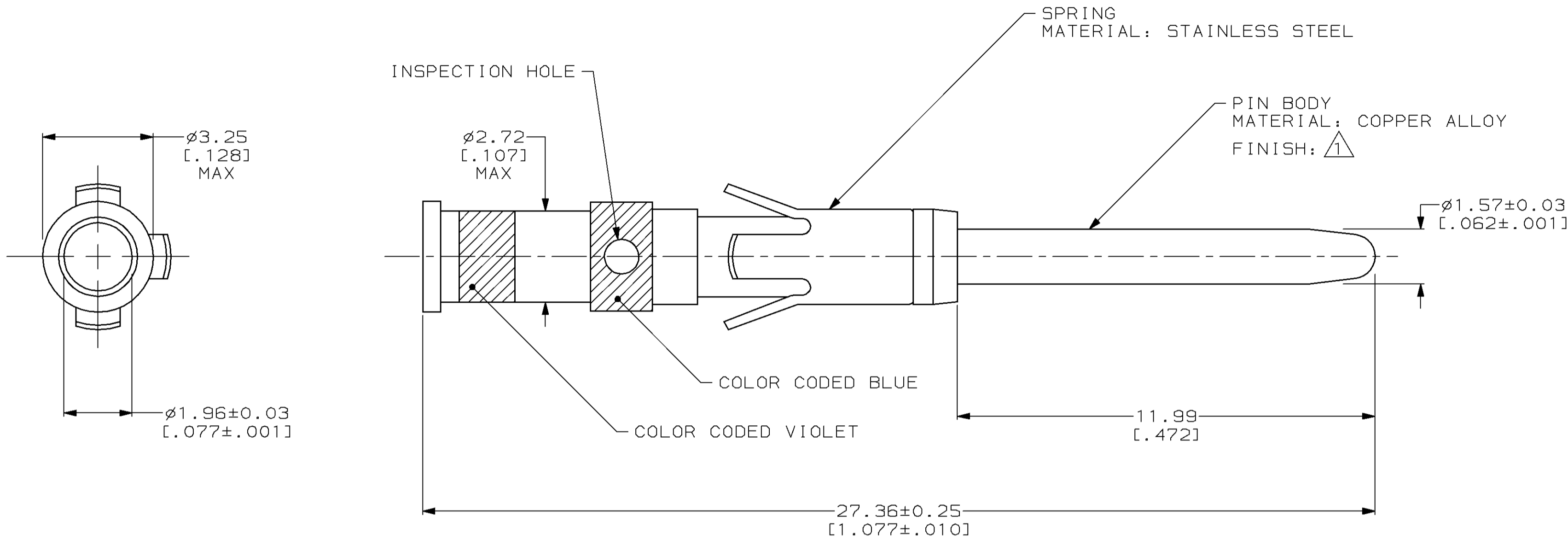
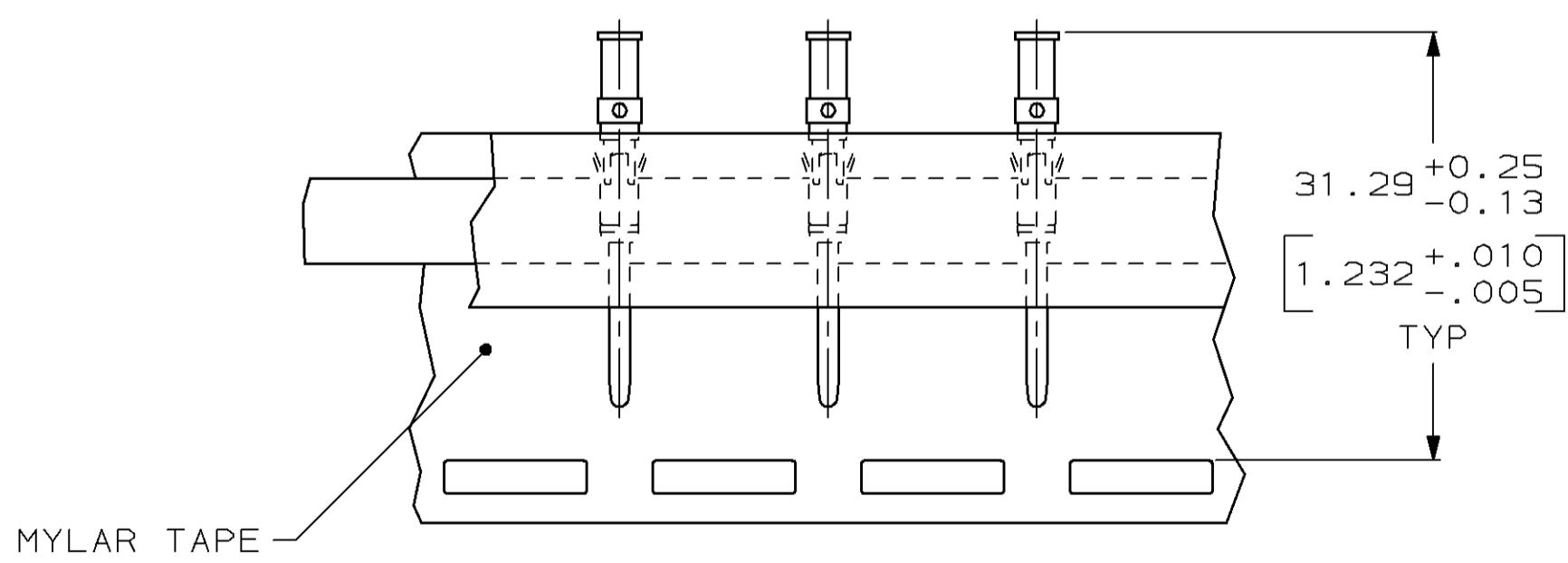


THIS DRAWING IS UNPUBLISHED. RELEASED FOR PUBLICATION
 BY AMP INCORPORATED. ALL RIGHTS RESERVED.

| REVISIONS | | | | DATE | DWN | APVD |
|-----------|------|---|-----|--------------------------------------|-----------|------|
| LOC | DIST | P | LTR | DESCRIPTION | | |
| FT | 8 | S | | REDRAWN W/O CHANGE PER EC 0320-98-96 | 20 NOV 97 | - |



- ① 0.76 μ m [0.000030] MIN GOLD OVER 1.27 μ m [0.000050] MIN NICKEL.
- ② WHEN ORDERING CONTACT ASSEMBLY ON TAPE, ORDER BY THE TAPE NUMBER PLUS THE PACKAGING CODE AS FOLLOWS:
 1. FOR USE WITH AMP TAPETRONIC, PNEUMATIC TOOL-
 - A. 1000 PARTS TO A BOX ADD PACKAGING CODE: 1MBOX
 2. FOR USE WITH 4/8 INDENT STRIPPER CRIMPER-
 - A. 1000 PARTS TO A REEL ADD PACKAGING CODE: 1MREEL
 - B. 5000 PARTS TO A REEL ADD PACKAGING CODE: 5MREEL



TAPE MTG DETAIL
SCALE 2:1

| | |
|----------------|-------------|
| TAPE MTD ② | 201570-2 |
| STANDARD | 201570-1 |
| PACKAGING TYPE | PART NUMBER |

| | | | | |
|--|--|------------------------------------|---|--|
| THIS DRAWING IS A CONTROLLED DOCUMENT. | | DWN B. CARBO 20 NOV 97 | AMP Incorporated Harrisburg, PA 17105-3608 | |
| DIMENSIONS: mm [INCHES] | | CHK R. STONE 09 DEC 97 | NAME G. STEINHAUER | |
| TOLERANCES UNLESS OTHERWISE SPECIFIED: | | APVD G. STEINHAUER 16 DEC 97 | PRODUCT SPEC | |
| 0 PLC ±- | | APPLICATION SPEC | | |
| 1 PLC ±- | | WEIGHT | | |
| 2 PLC ±0.13 [0.005] | | SCALE 10:1 | | |
| 3 PLC ±- | | SHEET 1 OF 1 | | |
| 4 PLC ±- | | REV 5 | | |
| ANGLES ±- | | RESTRICTED TO | | |
| FINISH ±- | | A2 00779 ② 201570 | | |
| MATERIAL SEE CALLOUTS | | CUSTOMER DRAWING | | |

201570

X-ON Electronics

Largest Supplier of Electrical and Electronic Components

Click to view similar products for [Standard Circular Contacts](#) category:

Click to view products by [TE Connectivity](#) manufacturer:

Other Similar products are found below :

[RC16M23J](#) [133780-1](#) [RM20M13D28](#) [RM24M9D28](#) [RMMX110-1D28](#) [ELFH02211](#) [ELVP16100E](#) [164-901-CD](#) [BACS16X1A](#)
[EN3545007SCE](#) [BV002BSQ20049CZ](#) [BV002SSQ160404CZ](#) [1900ND05S1B00B](#) [SJS862201](#) [166566-1](#) [1900ND04S1X00D](#) [ST-JL05-16S-](#)
[C3-100](#) [ST-JL05-20S-C1-100](#) [ST-JL05-20S-C2-100](#) [T01-CRIMP-S03](#) [APK-SA16A07-002](#) [27963-15T12](#) [CONT-JL05-08S-C2-10](#) [CONT-](#)
[JL05-12S-C1-10](#) [RC16M-23T](#) [RFD26L-1D28](#) [BV002ASJ16049CW](#) [33505815019](#) [JN1-22-20S-R-PKG100](#) [031-50213](#) [031-50794](#)
[ELFH08251](#) [ELFP0641GE](#) [SJS861301M](#) [ST-JL05-16S-C1-100](#) [ST-JL05-20P-C1-100](#) [82911466K](#) [82911467NK](#) [ESLM03200](#) [192991-0087](#)
[192900-0570](#) [ELFH07251](#) [T3P16FC3LZ](#) [ST-JL05-16S-C2-3500](#) [ZP-4016-10NF](#) [CONT-JL05-12P-C1-10](#) [RM20M12G8D28](#) [031-50676](#)
[12115010110](#) [RJFTVC2MG](#)