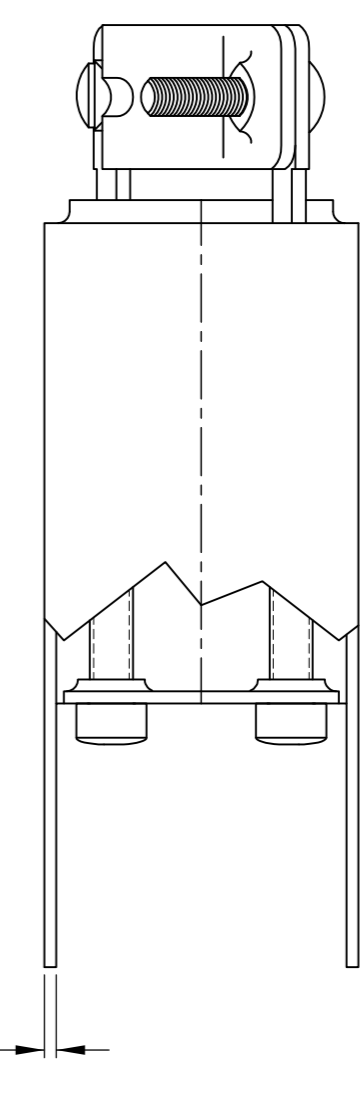
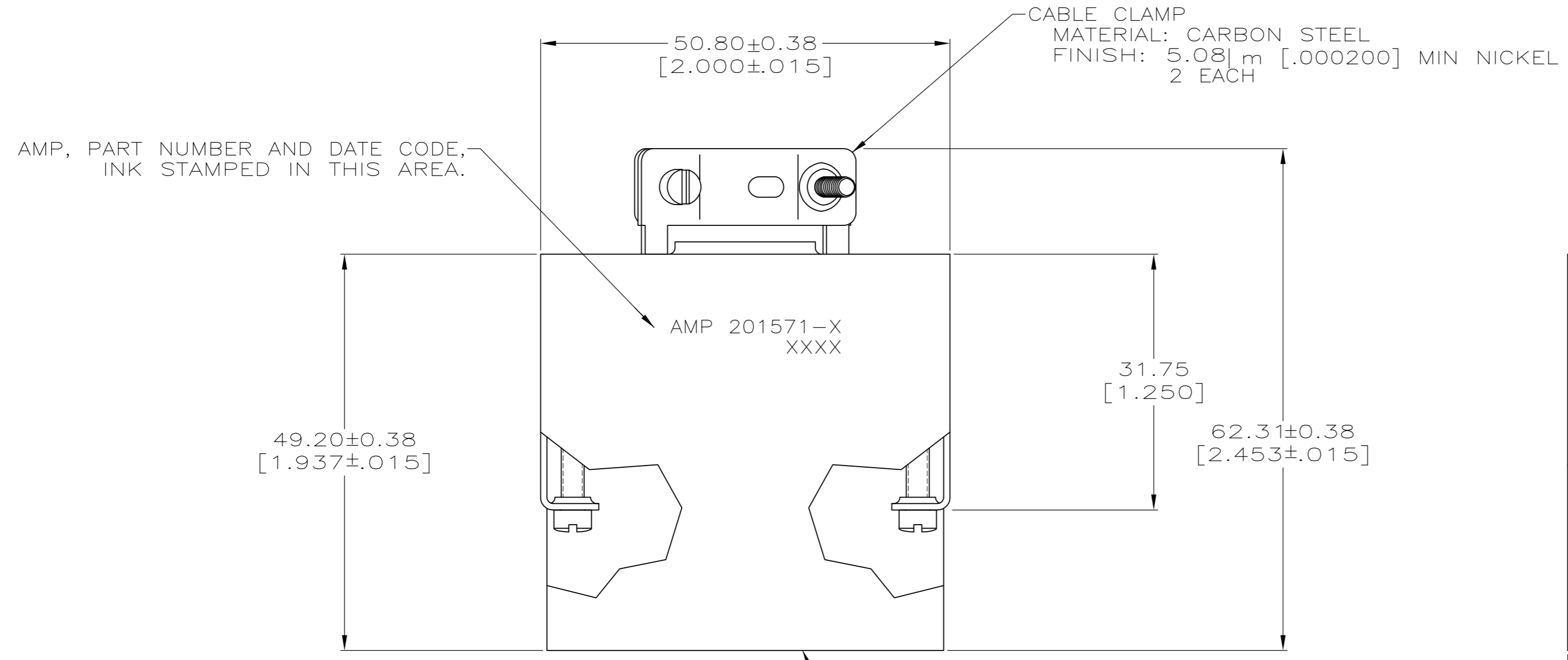
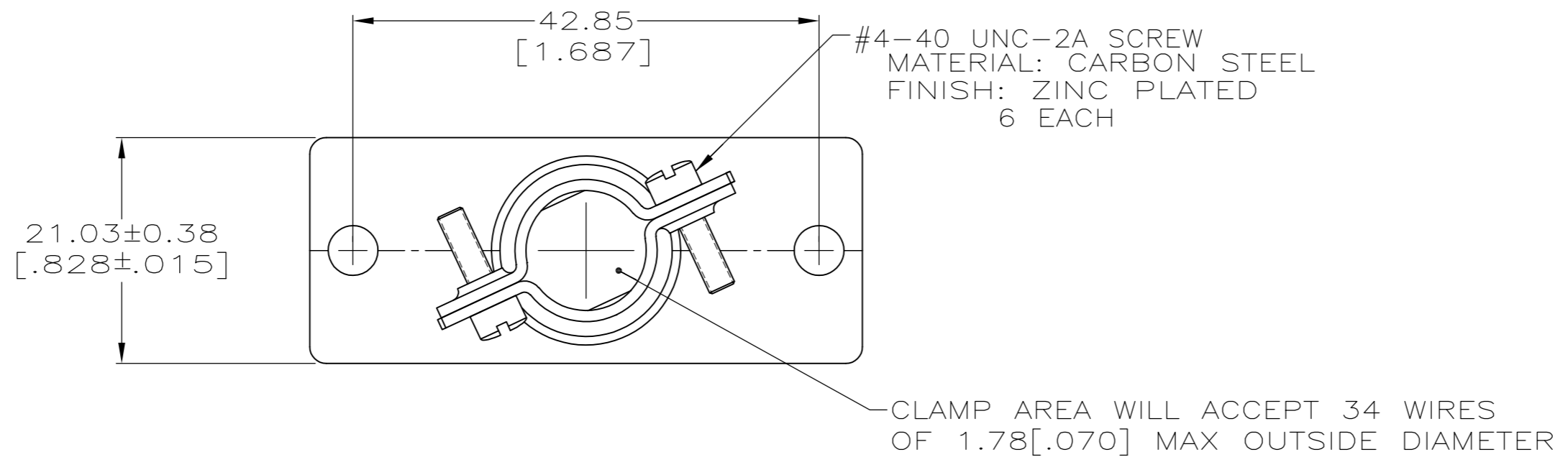


THIS DRAWING IS UNPUBLISHED. RELEASED FOR PUBLICATION
 © COPYRIGHT - By - ALL RIGHTS RESERVED.

LOC		DIST		REVISIONS			
P	LTR	DESCRIPTION		DATE	DWN	APVD	
BD	36	E1	REVISED PER ECO-13-008672		30AUG2013	KH	DR



FINISH	MATERIAL	PART NO
5.08µm [.000200] MIN NICKEL	CARBON STEEL	201571-2
CLEAR ANODIZED	ALUMINUM ALLOY	201571-1
SHIELD HALF		

THIS DRAWING IS A CONTROLLED DOCUMENT.		DWN D.HARDY 10-21-94	TE TE Connectivity	
DIMENSIONS: mm [INCHES]		CHK R.STONE 10-27-94		
TOLERANCES UNLESS OTHERWISE SPECIFIED:		APVD T.COULSON 01-26-95	NAME SHIELD KIT, UNASSEMBLED, LONG, 34 POSITION, M SERIES	
0 PLC ± -	1 PLC ± -	PRODUCT SPEC	SIZE A2	CAGE CODE 00779
2 PLC ± 0.13 [.005]	3 PLC ± -	APPLICATION SPEC	DRAWING NO C=201571	RESTRICTED TO
4 PLC ± -	ANGLES ± -	WEIGHT	SCALE 2:1	SHEET 1 of 1
MATERIAL SEE CALLOUTS	FINISH SEE CALLOUTS	CUSTOMER DRAWING	REV E1	

201571

X-ON Electronics

Largest Supplier of Electrical and Electronic Components

Click to view similar products for [Rack & Panel Connectors](#) category:

Click to view products by [TE Connectivity](#) manufacturer:

Other Similar products are found below :

[00170420102](#) [00171420202](#) [00171440002](#) [008026165000265](#) [02-014-013-5200-000](#) [613467-000](#) [CTJ112E01E-513](#) [CTJ116E03A-513](#)
[M81714/63-22S L/C](#) [M81714/65-12-1](#) [66020-2](#) [CW8958-000](#) [699886-000](#) [D250-50632](#) [70.400.3240.0](#) [70.955.2453.3](#) [733753-000](#) [F22831-000](#) [780-522-DPX34RG8-02](#) [MMA25-0341D1](#) [8660-501](#) [87.060.0053.0](#) [900709N001](#) [QRP4-12P-C\(01\)](#) [QR/P6-6S-C\(01\)](#) [1218600-1](#) [D-659-0061](#) [DMC-MD 24 C-T](#) [1-445717-6](#) [1484398-2](#) [1484399-2](#) [1484469-2](#) [MR-34MG](#) [1604997-2](#) [1663130-1](#) [1663767-7](#) [1663767-8](#) [MTC100-BF1-P31CS015](#) [MTC100-KT2-0083](#) [MTC100-KT2-0123-003](#) [MTC100-YA1-005](#) [MTCB1X-105-XXX](#) [MTCQKT1R2PGCA](#) [MTCR-103-04S](#) [MTCX1X-100-100CS025](#) [1738331-1](#) [1757667-1](#) [1883433-1](#) [1996636-1](#) [201784-4](#)