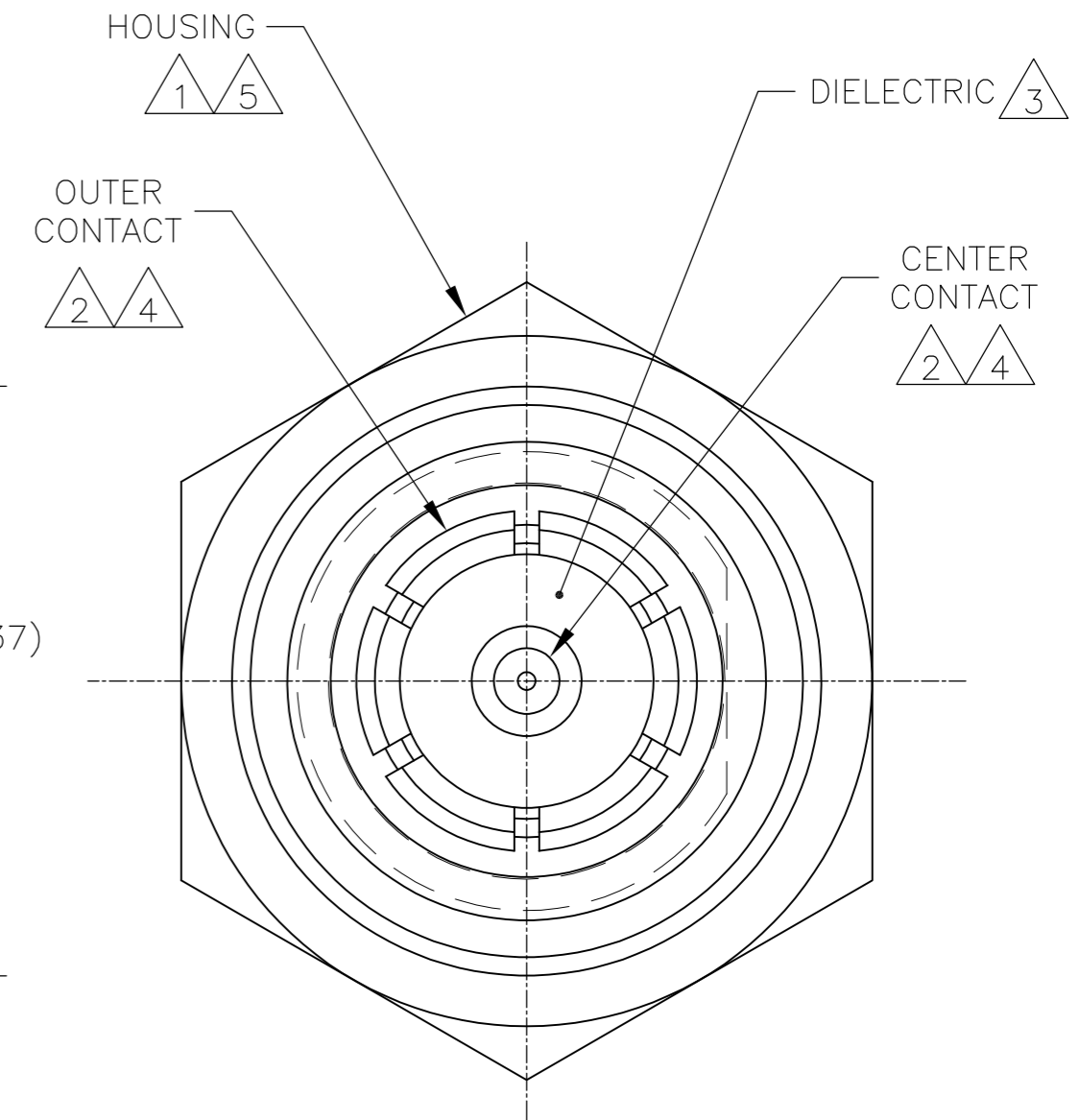
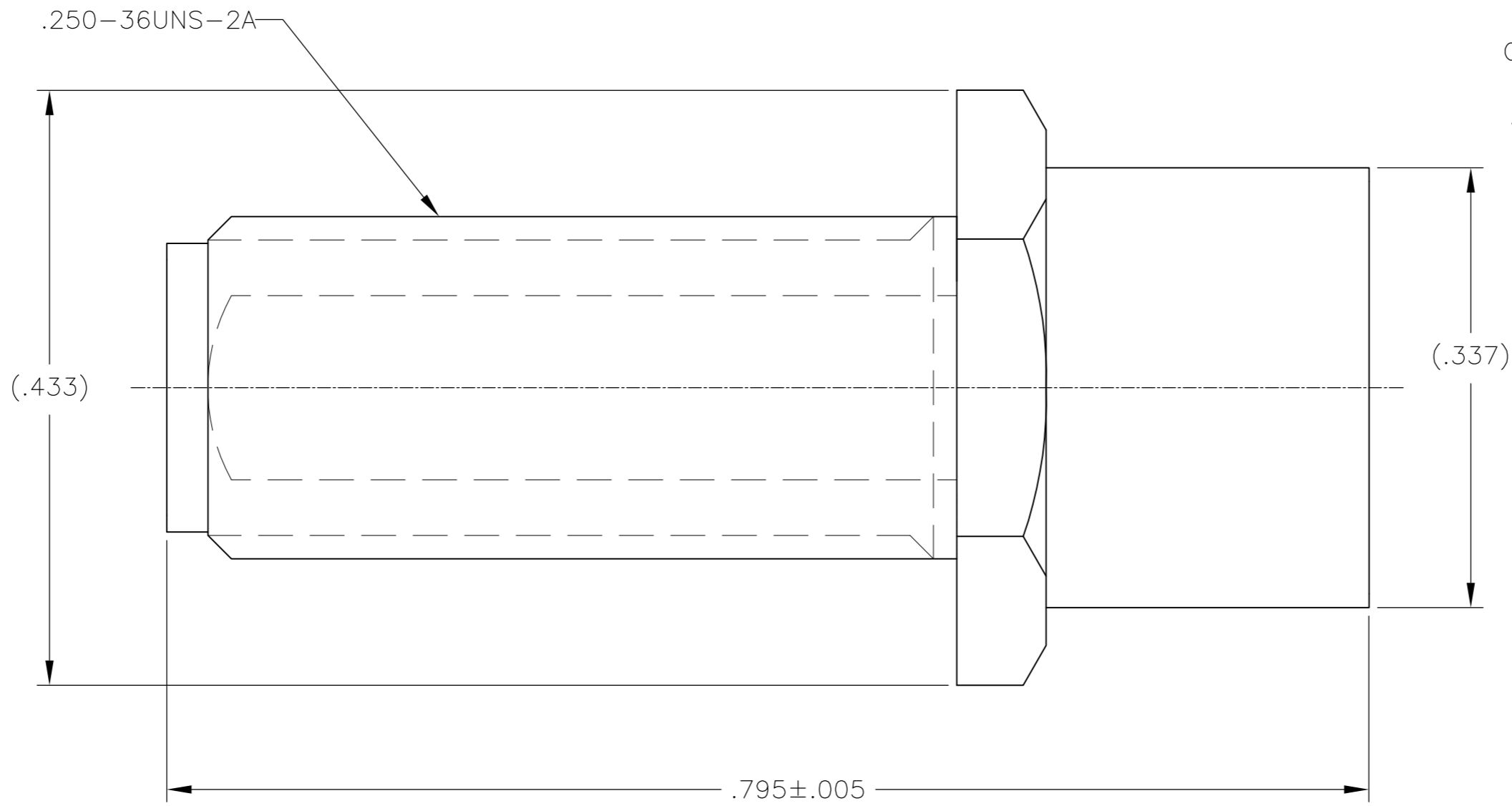
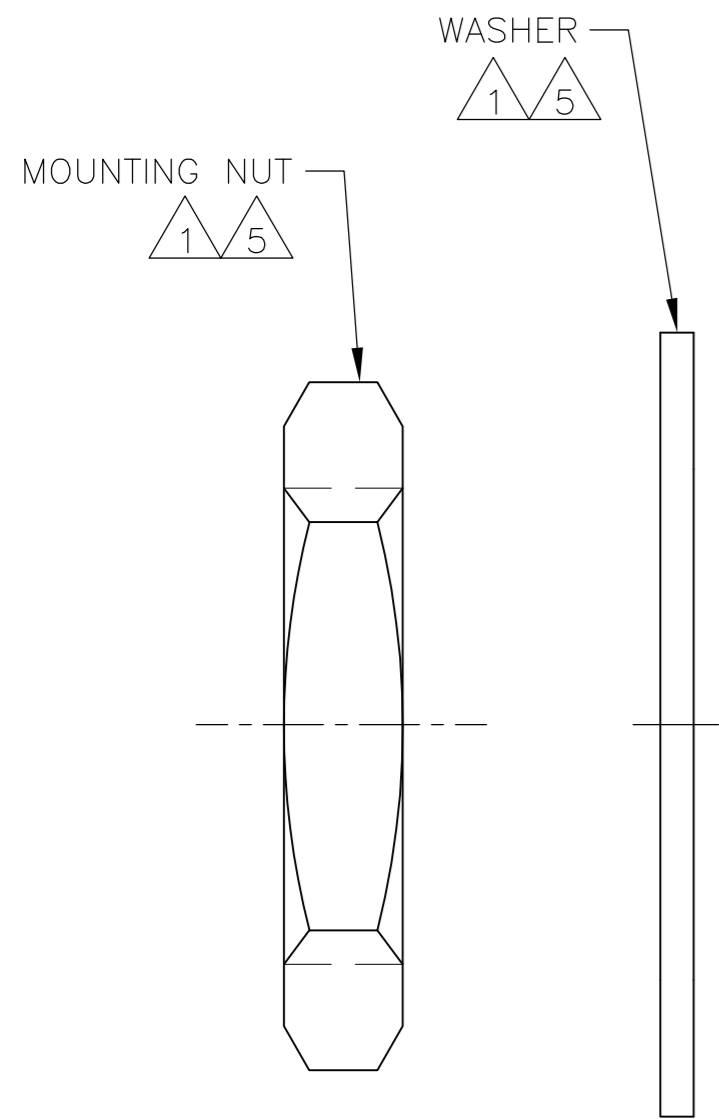
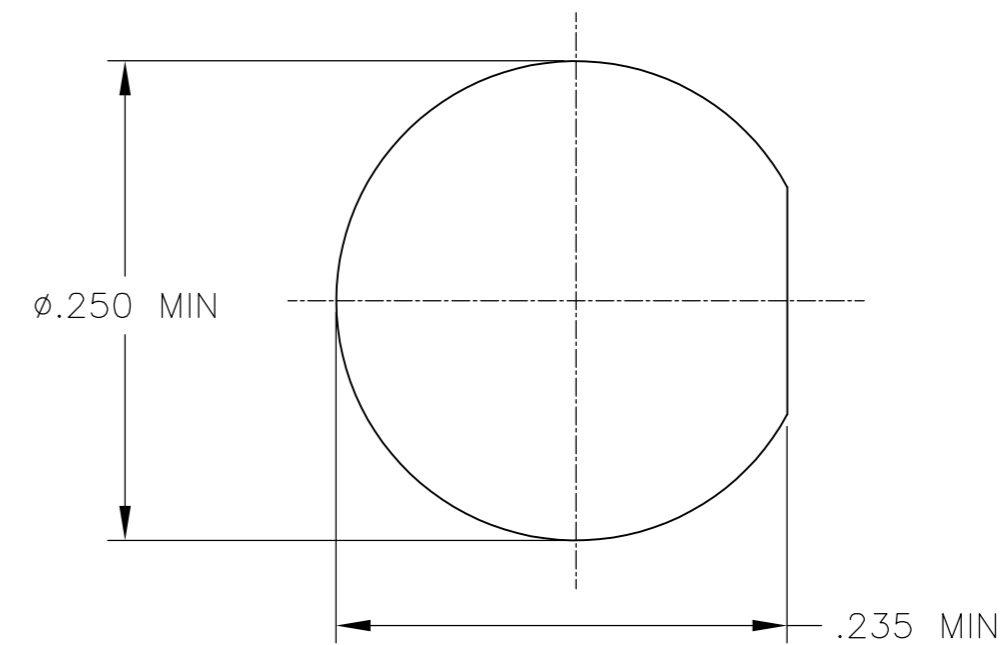


THIS DRAWING IS UNPUBLISHED. RELEASED FOR PUBLICATION
 © COPYRIGHT - By - ALL RIGHTS RESERVED.

LOC	DIST	REVISIONS			
P	LTR	DESCRIPTION	DATE	DWN	APVD
AJ	00				
B		REVISED PER ECO-11-024867	14DEC11	KH	FB



- 1 STAINLESS STEEL.
- 2 BERYLLIUM COPPER.
- 3 PTFE.
- 4 GOLD PLATE.
- 5 PASSIVATE.
- 6. THIS PRODUCT HAS NOT YET COMPLETED VALIDATION TESTING.



RECOMMENDED PANEL CUTOUT

2016232-1
 PART NUMBER

THIS DRAWING IS A CONTROLLED DOCUMENT.		DWN K. FOLTZ 08JUN2010	TE Connectivity																			
DIMENSIONS: INCHES		CHK F. BLASICK 09JUN2010																				
TOLERANCES UNLESS OTHERWISE SPECIFIED:		APVD F. BLASICK 09JUN2010	NAME ADAPTER, PLUG PUSH ON TO JACK, SMA																			
<table border="1"> <tr><td>0 PLC</td><td>±</td><td>-</td></tr> <tr><td>1 PLC</td><td>±</td><td>-</td></tr> <tr><td>2 PLC</td><td>±</td><td>-</td></tr> <tr><td>3 PLC</td><td>±</td><td>.003</td></tr> <tr><td>4 PLC</td><td>±</td><td>-</td></tr> <tr><td>ANGLES</td><td>±</td><td>-</td></tr> </table>		0 PLC	±	-	1 PLC	±	-	2 PLC	±	-	3 PLC	±	.003	4 PLC	±	-	ANGLES	±	-	PRODUCT SPEC	SIZE A2	
0 PLC	±	-																				
1 PLC	±	-																				
2 PLC	±	-																				
3 PLC	±	.003																				
4 PLC	±	-																				
ANGLES	±	-																				
MATERIAL		APPLICATION SPEC	CAGE CODE 00779	DRAWING NO 2016232																		
FINISH		WEIGHT	SCALE 10:1	SHEET 1 of 1																		
		CUSTOMER DRAWING	RESTRICTED TO	REV B																		

X-ON Electronics

Largest Supplier of Electrical and Electronic Components

Click to view similar products for [RF Connectors / Coaxial Connectors](#) category:

Click to view products by [TE Connectivity](#) manufacturer:

Other Similar products are found below :

[R125315120](#) [8915-1511-000](#) [89674-0827](#) [5916-1103-603](#) [0106-001-000](#) [6-0001-3](#) [6001-7071-019](#) [6002-7051-003](#) [6002-7551-202](#) [6059674-1](#) [619550-1](#) [630059-000](#) [M39012/25-0021](#) [M39012/79-3008](#) [M39030/3-01N](#) [M39030/3-03N](#) [M3933/25-29N](#) [M3933/25-36N](#) [6500-7071-046](#) [6501-1071-002](#) [M83723/72W24576](#) [M83723/72W2457N](#) [6769](#) [CX050L2AQ](#) [7002-1541-010](#) [7003-1572-002](#) [7004-1512-000](#) [7009-1511-004](#) [7010-1511-000](#) [7029-1511-060](#) [7101-1541-010](#) [7101-1571-002](#) [7105-1521-002](#) [7145-1521-002](#) [7209-1511-011](#) [7210-1511-012](#) [7210-1511-015](#) [7210-1511-019](#) [7210-1511-040](#) [7225-1512-050](#) [7242-1511-000](#) [73137-5015](#) [73216-2241](#) [73251-0111](#) [73251-0672](#) [73276-1501](#) [73366-0013](#) [73404-2300](#) [73413-6080](#) [734151610](#)