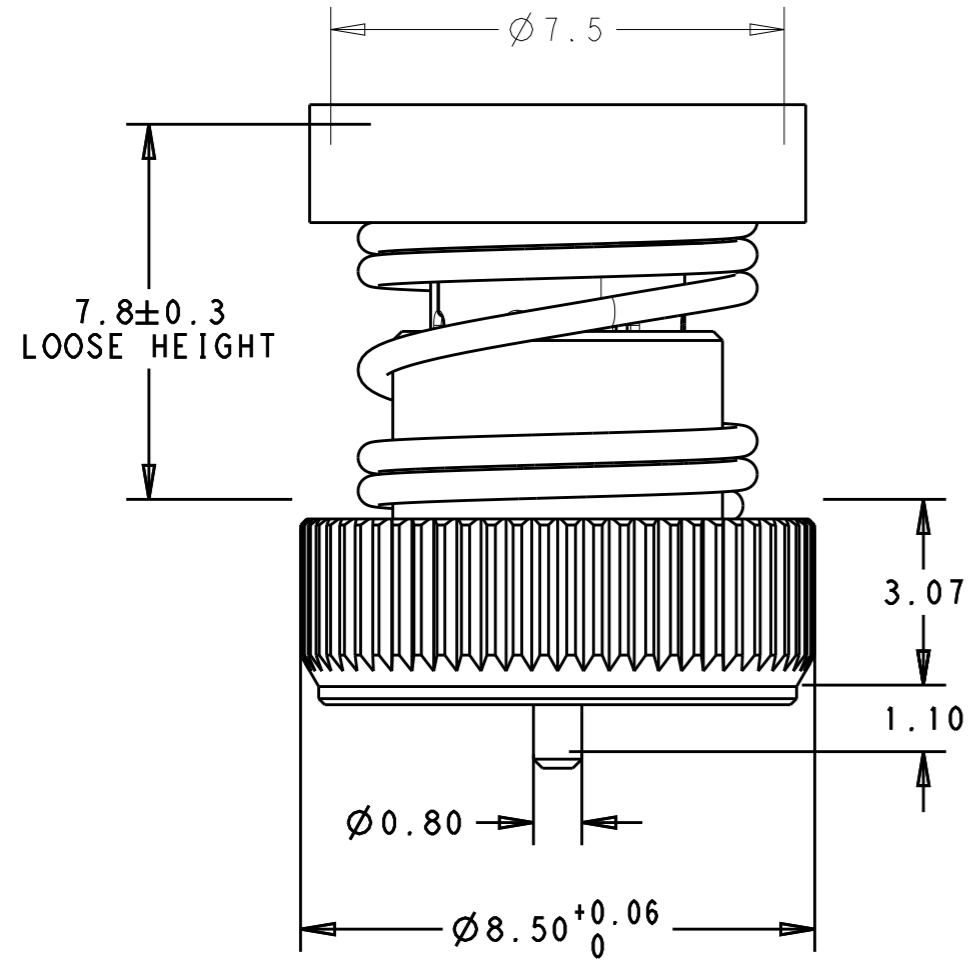
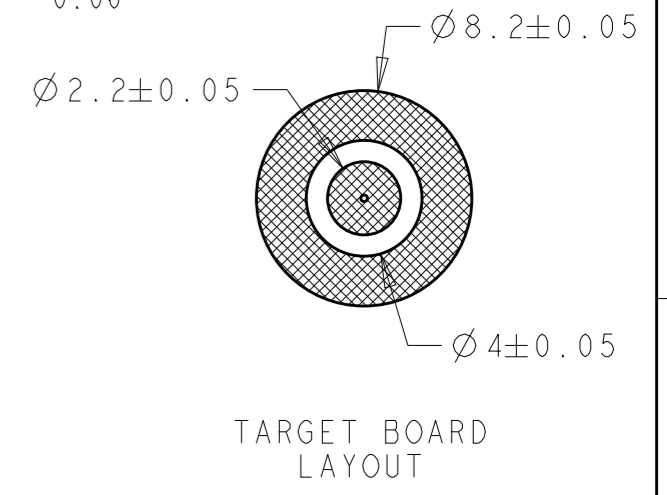
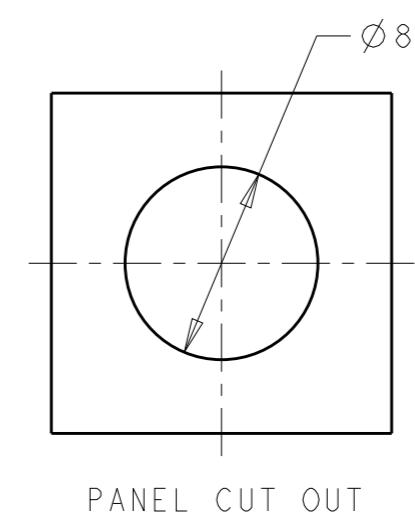
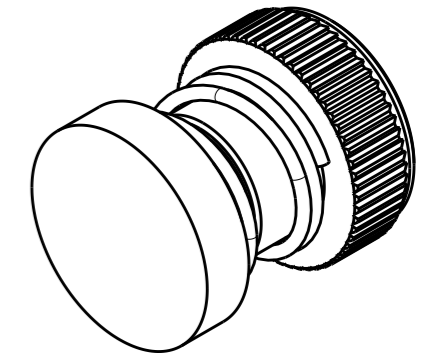
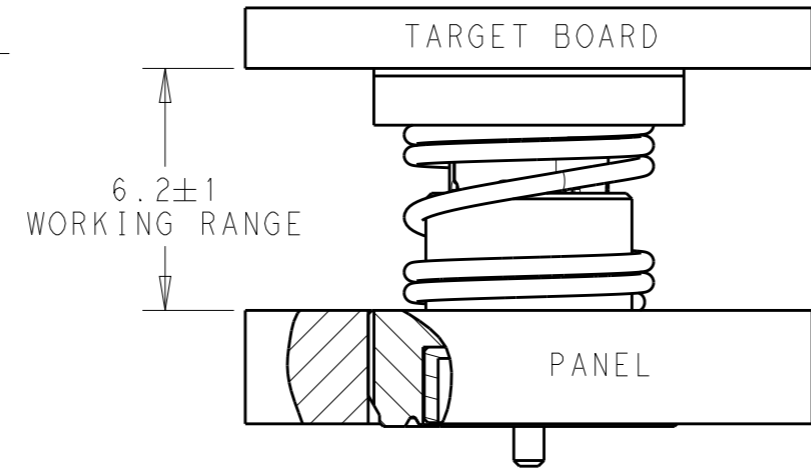
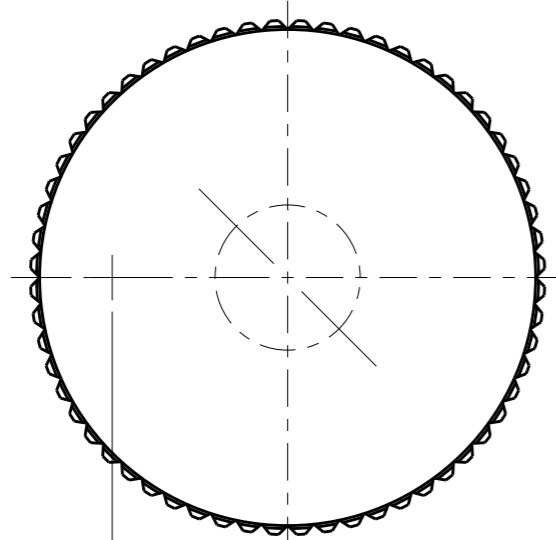


THIS DRAWING IS UNPUBLISHED. RELEASED FOR PUBLICATION 20
 © COPYRIGHT 20 BY - ALL RIGHTS RESERVED.

REVISIONS					
P	LTR	DESCRIPTION	DATE	DWN	APVD
6		REVISED	17SEP2018	BW	RS
7		ADD 2016531-3, 3-12-11-2016531-2	04APR2019	JZ	RS



1	-	LCP	HOUSING	6
1	-	LCP	DIELECTRIC	5
1	CuSnZn	BRASS	OUTER SHELL	4
1	-	STAINLESS STEEL	SPRING	3
1	NiAu	NICKEL COPPER	CONTACT RING	2
1	NiAu	BRASS, STEEL	POGO PIN ASSEMBLY	1
2016531-1	PLATING	MATERIAL	DESCRIPTION	ITEM
QTY				

THIS DRAWING IS A CONTROLLED DOCUMENT.

DWN LIN NI 21JUL2017
 CHK BILL WONG 21JUL2017
 APVD ROGER SONG 21JUL2017

STE TE Connectivity

NAME: COMPRESSION COAX CONNECTOR
 PRESS IN TYPE 6.2MM HEIGHT

PRODUCT SPEC: 108-32152
 APPLICATION SPEC: -

WEIGHT: -

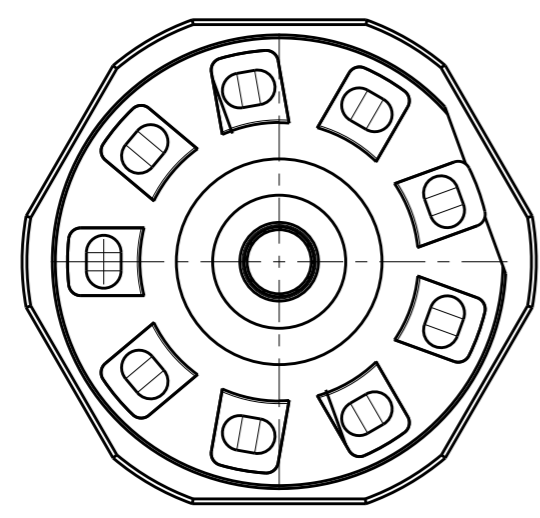
SIZE: A3 CAGE CODE: 00779 DRAWING NO: 2016531 RESTRICTED TO: -

CUSTOMER DRAWING SCALE: 4:1 SHEET: 1 OF 4 REV: 8

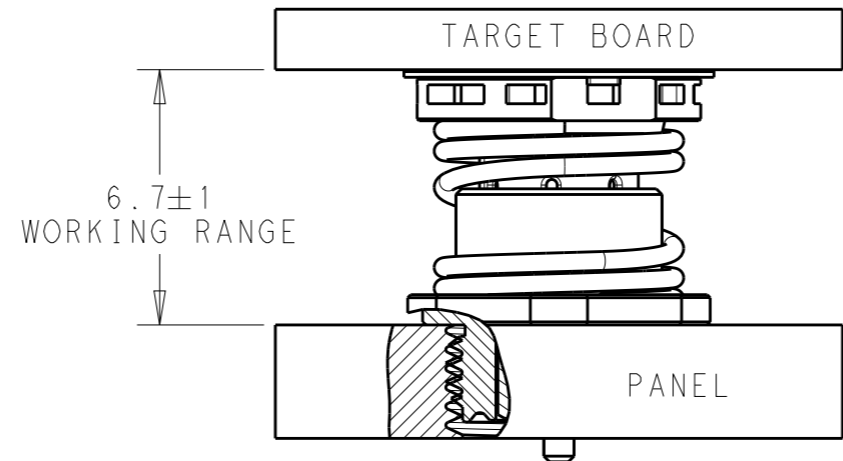
DIMENSIONS:		TOLERANCES UNLESS OTHERWISE SPECIFIED:	
mm		0 PLC	±0.1
		1 PLC	±0.1
		2 PLC	±0.1
		3 PLC	±0.1
		4 PLC	±0.1
		ANGLES	±
MATERIAL		FINISH	
-		-	

THIS DRAWING IS UNPUBLISHED. RELEASED FOR PUBLICATION 20
 © COPYRIGHT 20 BY - ALL RIGHTS RESERVED.

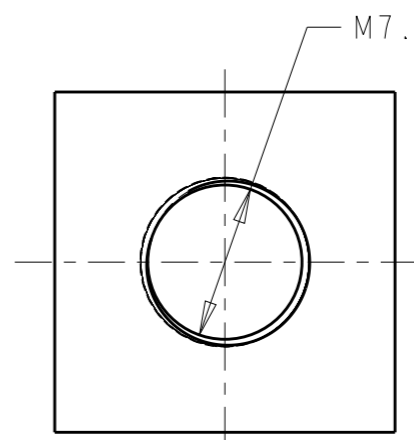
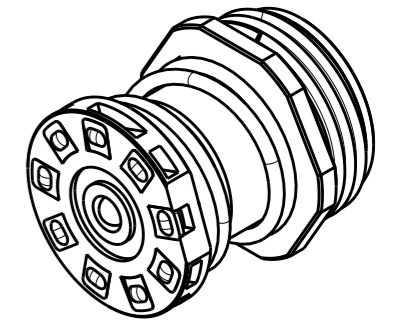
REVISIONS					
P	LTR	DESCRIPTION	DATE	DWN	APVD
-	-	SEE SHEET 1	-	-	-



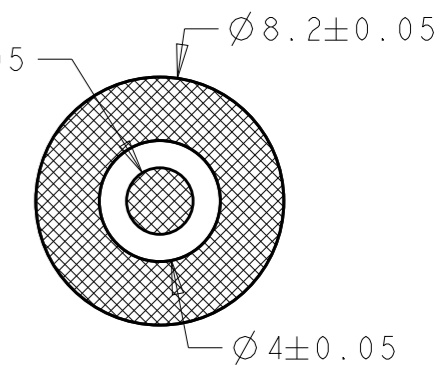
SCALE 8:1



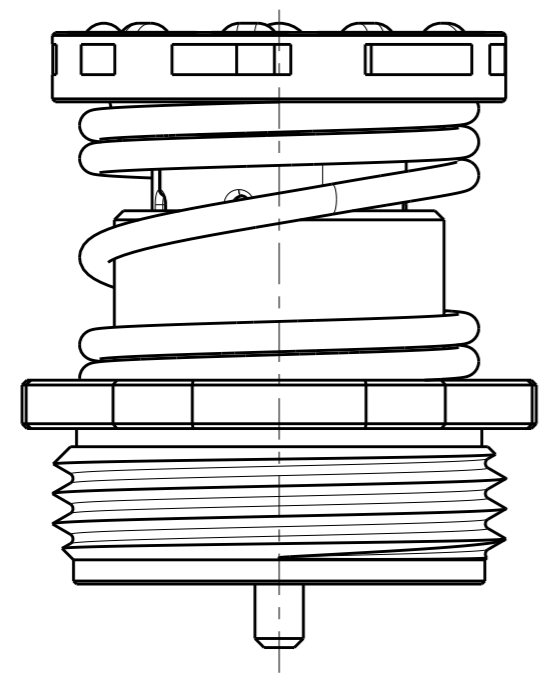
SECTION A-A
SCALE 5:1



PANEL CUT OUT



TARGET BOARD LAYOUT



SCALE 8:1

1	-	LCP	HOUSING	6
1	-	LCP	DIELECTRIC	5
1	CuSnZn	BRASS	OUTER SHELL	4
1	-	STAINLESS STEEL	SPRING	3
1	NiAu	NICKEL COPPER	CONTACT RING	2
1	NiAu	BRASS, STEEL	POGO PIN ASSEMBLY	1
2016531-2	PLATING	MATERIAL	DESCRIPTION	ITEM
QTY				

5.0	3-2016531-2
3.5	2-2016531-2
2.0	1-2016531-2
1.1	2016531-2
'L'	PART NUMBER

THIS DRAWING IS A CONTROLLED DOCUMENT.

DIMENSIONS: mm	TOLERANCES UNLESS OTHERWISE SPECIFIED: 0 PLC ±0.1 1 PLC ±0.1 2 PLC ±0.1 3 PLC ±0.1 4 PLC ±0.1 ANGLES ±	MATERIAL -	FINISH -	DWN LIN NI 21JUL2017	CHK BILL WONG 21JUL2017	APVD ROGER SONG 21JUL2017	PRODUCT SPEC 108-32152	APPLICATION SPEC -	WEIGHT -	CUSTOMER DRAWING	SCALE 4:1	SHEET 2 OF 4	REV 8
-------------------	--------------------------------------------------------------------------------------------------------------------------	---------------	-------------	-------------------------	----------------------------	------------------------------	---------------------------	-----------------------	-------------	------------------	--------------	-----------------	----------

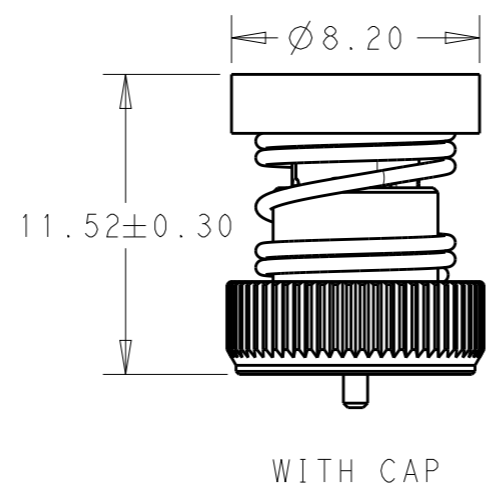
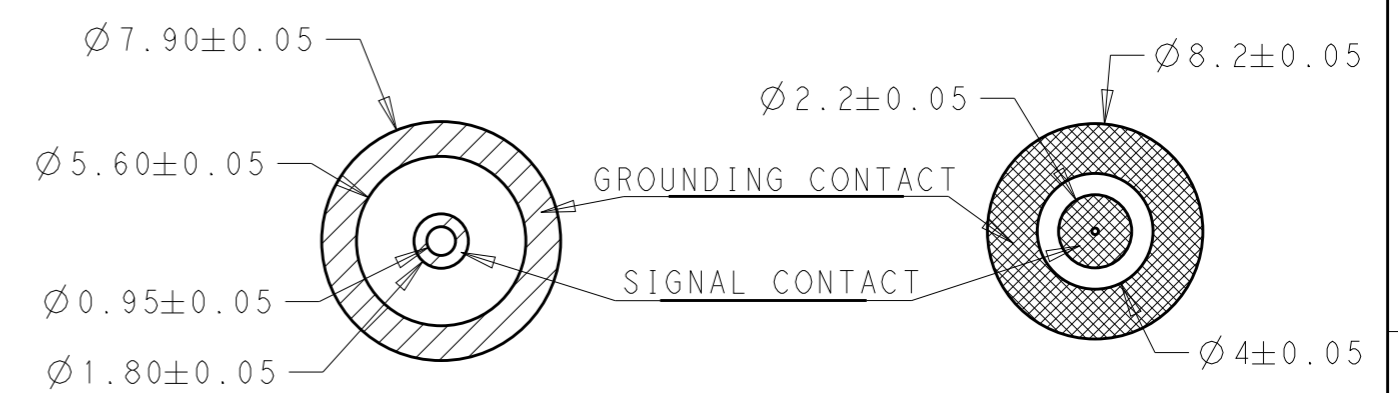
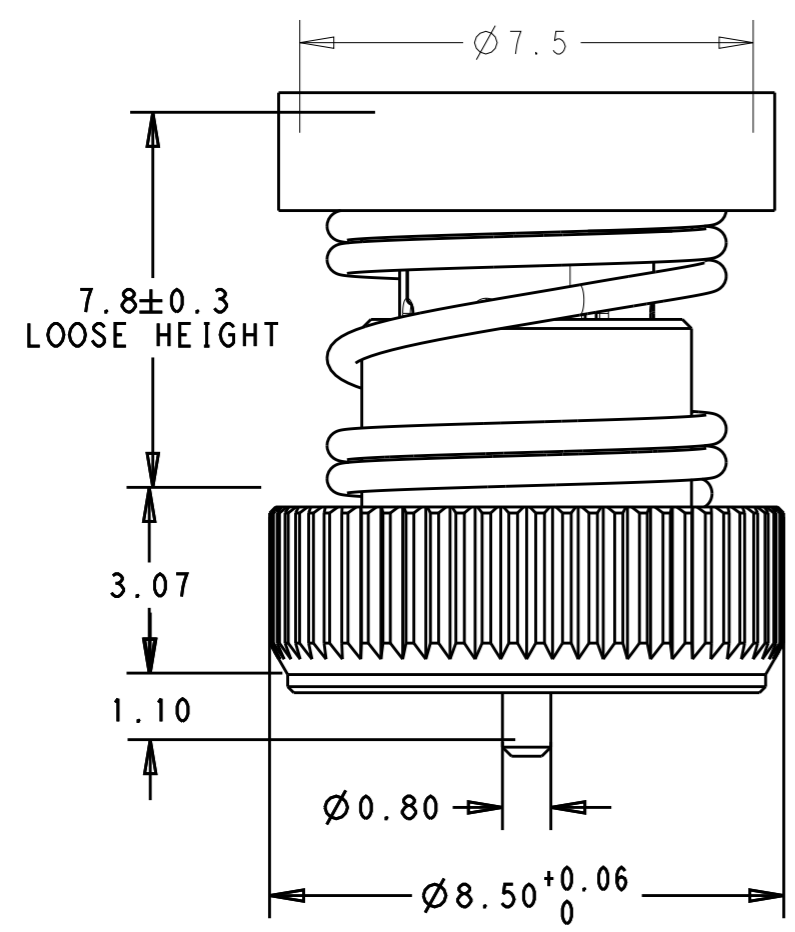
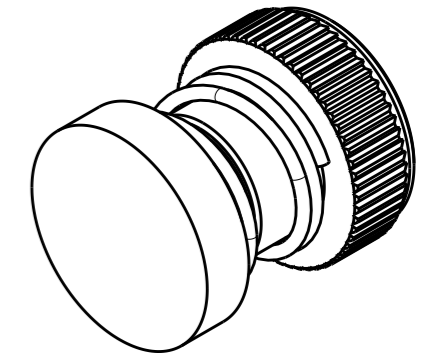
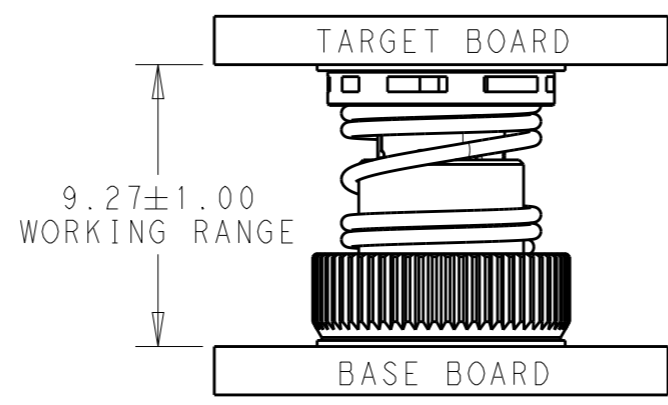
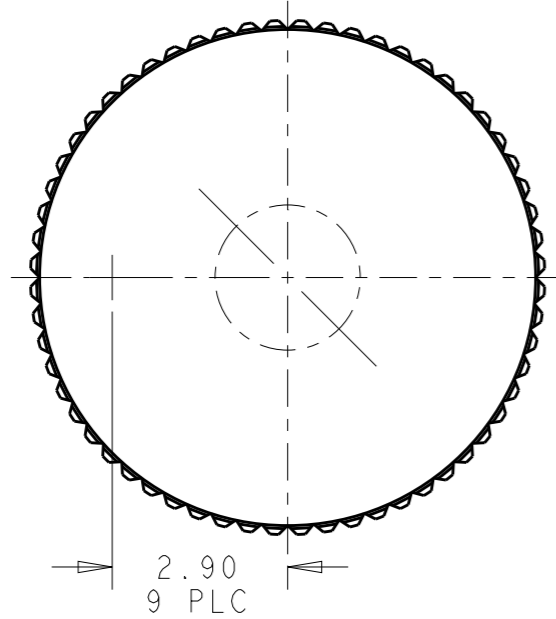
STE TE Connectivity

NAME
COMPRESSION COAX CONNECTOR
SCREW TYPE 6.7MM HEIGHT

SIZE A3	CAGE CODE 00779	DRAWING NO C-2016531	RESTRICTED TO -
------------	--------------------	-------------------------	--------------------

THIS DRAWING IS UNPUBLISHED. RELEASED FOR PUBLICATION 20
 © COPYRIGHT 20 BY - ALL RIGHTS RESERVED.

REVISIONS					
P	LTR	DESCRIPTION	DATE	DWN	APVD
-	-	SEE SHEET 1	-	-	-
-	-	-	-	-	-
-	-	-	-	-	-



BASE BOARD LAYOUT (REF. THICKNESS: 1.6MM)
 TARGET BOARD LAYOUT (REF. THICKNESS: 1.6MM)
 NOTE: IF THE PCB THICKNESS IS < 1.6MM, THE FORCE 10N FROM SPRING SHOULD BE CONSIDERED FOR PCB BENDED REASON.

QTY	2016531-3	PLATING	MATERIAL	DESCRIPTION	ITEM
1	-	PLASTIC	CAP		7
1	-	LCP	HOUSING		6
1	-	LCP	DIELECTRIC		5
1	CuSnZn	BRASS	OUTER SHELL		4
1	-	STAINLESS STEEL	SPRING		3
1	NiAu	NICKEL COPPER	CONTACT RING		2
1	NiAu	BRASS, STEEL	POGO PIN ASSEMBLY		1

THIS DRAWING IS A CONTROLLED DOCUMENT.

DWN LIN NI 21JUL2017
 CHK BILL WONG 21JUL2017
 APVD ROGER SONG 21JUL2017

PRODUCT SPEC 108-32152
 APPLICATION SPEC -

WEIGHT -

CUSTOMER DRAWING

STE TE Connectivity

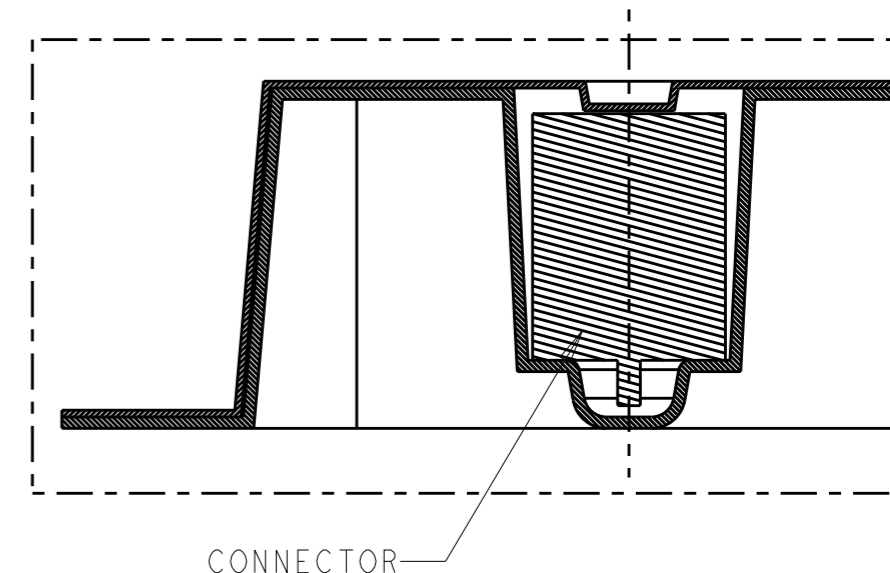
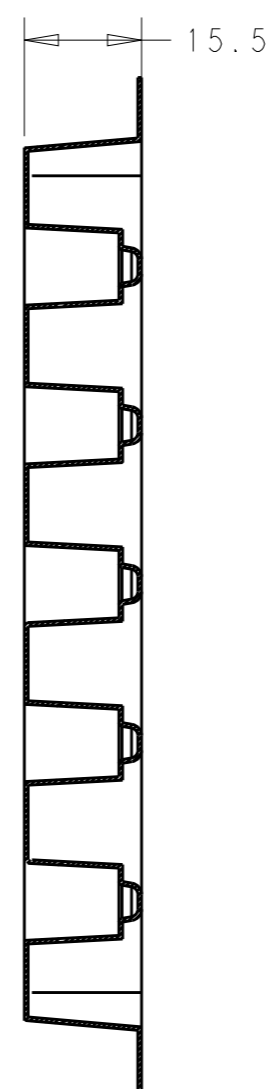
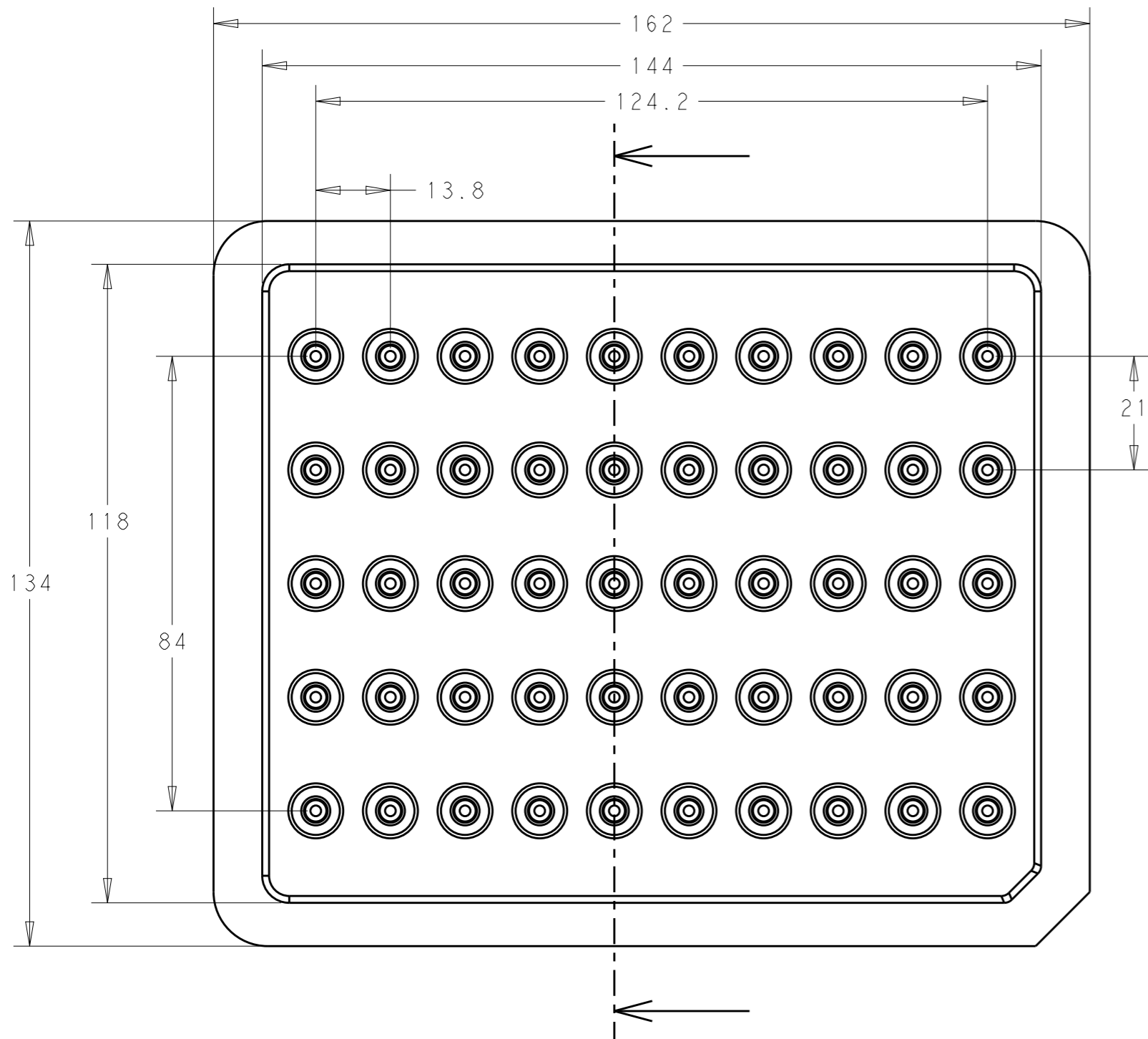
NAME COMPRESSION COAX CONNECTOR
 PRESS IN TYPE BTB 9.27MM HEIGHT

SIZE A3 CAGE CODE 00779 DRAWING NO C-2016531 RESTRICTED TO -

SCALE 4:1 SHEET 3 OF 4 REV 8

THIS DRAWING IS UNPUBLISHED. RELEASED FOR PUBLICATION 20
 © COPYRIGHT 20 BY - ALL RIGHTS RESERVED.

REVISIONS					
P	LTR	DESCRIPTION	DATE	DWN	APVD
-	-	SEE SHEET 1	-	-	-
-	-	-	-	-	-
-	-	-	-	-	-



NOTE: THIS PACKAGE IS FOR 2016531-3.

THIS DRAWING IS A CONTROLLED DOCUMENT.		DWN LIN NI 21JUL2017			
DIMENSIONS: mm		CHK BILL WONG 21JUL2017			
TOLERANCES UNLESS OTHERWISE SPECIFIED:		APVD ROGER SONG 21JUL2017	NAME COMPRESSION COAX CONNECTOR		
0 PLC ±0.1		PRODUCT SPEC 108-32152	PRESS IN TYPE BTB 9.27MM HEIGHT		
1 PLC ±0.1		APPLICATION SPEC -	SIZE A3	CAGE CODE 00779	DRAWING NO C-2016531
2 PLC ±0.1		WEIGHT -	RESTRICTED TO -		
3 PLC ±0.1		CUSTOMER DRAWING	SCALE 4:1	SHEET 4 OF 4	REV 8
4 PLC ±0.1					
ANGLES ±-					
FINISH -					
MATERIAL -					

X-ON Electronics

Largest Supplier of Electrical and Electronic Components

Click to view similar products for [RF Connectors / Coaxial Connectors](#) category:

Click to view products by [TE Connectivity](#) manufacturer:

Other Similar products are found below :

[8915-1511-000](#) [89674-0827](#) [6001-7071-019](#) [6002-7051-003](#) [6002-7551-202](#) [6059674-1](#) [619550-1](#) [630059-000](#) [M39030/3-01N](#) [6500-7071-046](#) [6769](#) [CX050L2AQ](#) [7002-1541-010](#) [7002-1542-011](#) [7004-1512-000](#) [7009-1511-004](#) [7010-1511-000](#) [7029-1511-060](#) [7101-1541-010](#) [7101-1571-002](#) [7105-1521-002](#) [7145-1521-002](#) [7203-1571-003](#) [7209-1511-011](#) [7210-1511-015](#) [7210-1511-019](#) [73137-5015](#) [73216-2241](#) [73404-2300](#) [7405-1521-005](#) [7405-1521-802](#) [8527](#) [8547](#) [FS11V](#) [877931](#) [9049-9513-000](#) [9074-9513-000](#) [9101-9573-002](#) [910A205F](#) [9130-9573-002](#) [PL11SC-026](#) [PL375-33](#) [PL40-5](#) [PL74C-221](#) [PL75MC-217](#) [PL803-7](#) [1200690078](#) [1-201144-1](#) [R107003010W](#) [R110A172100](#)