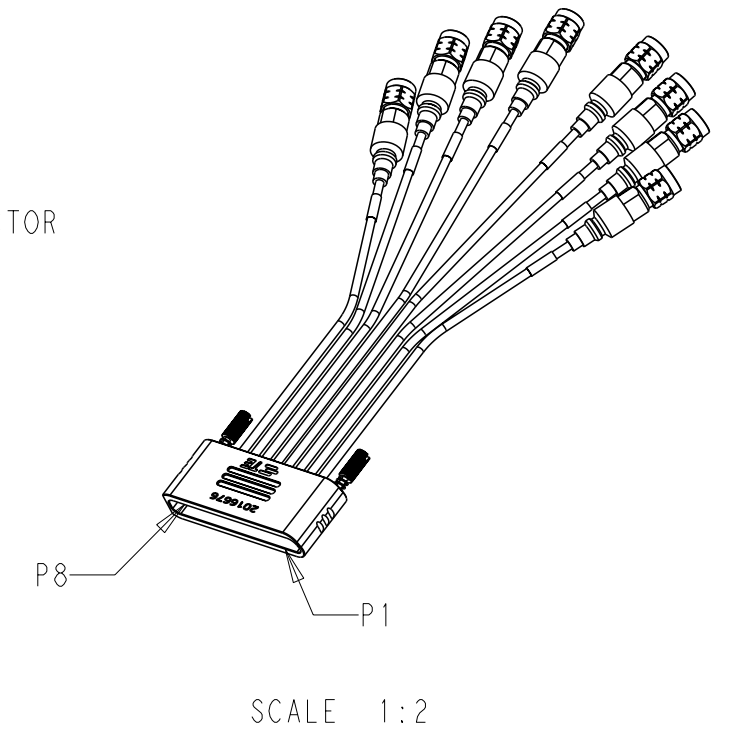
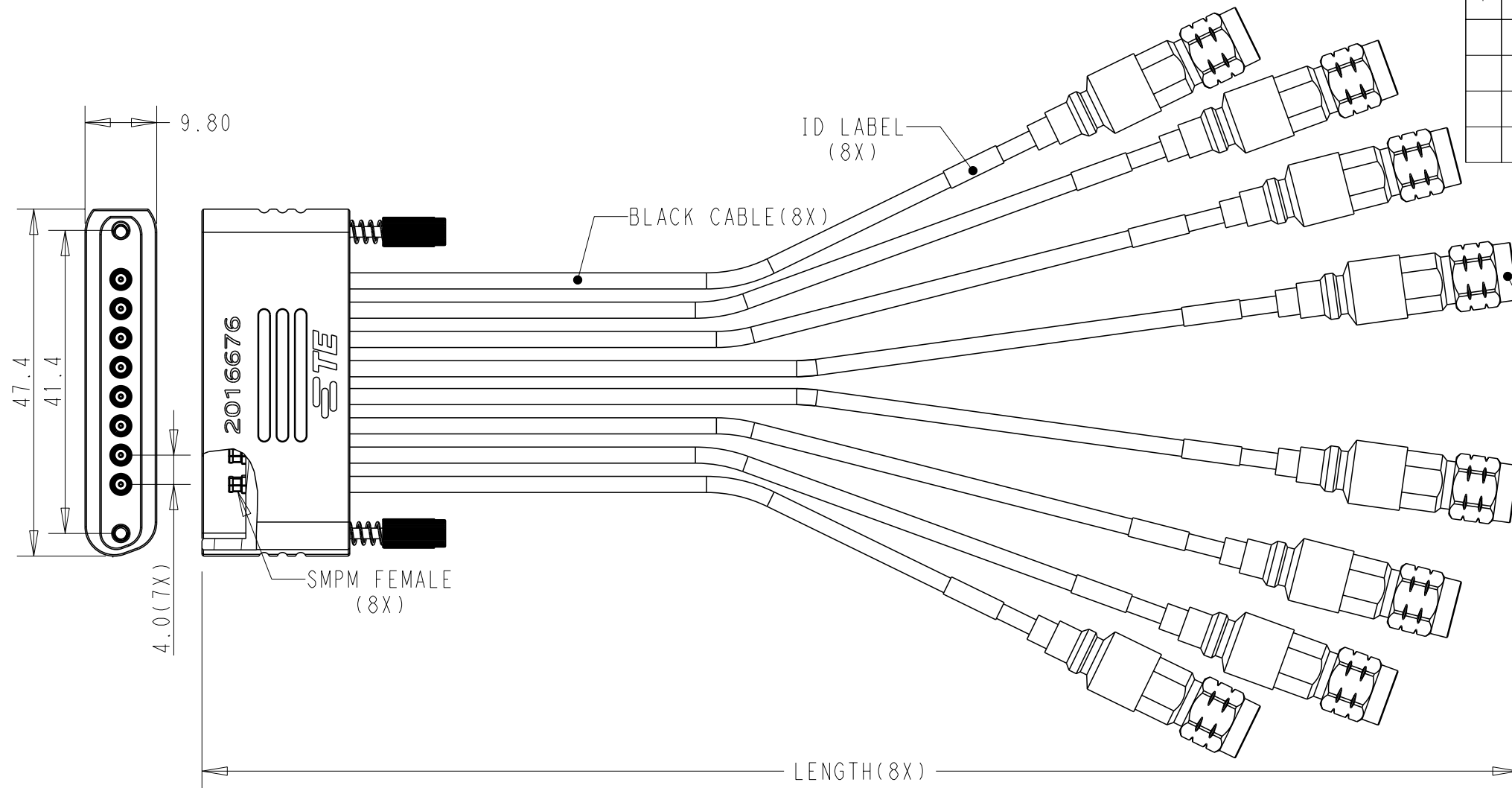


REVISIONS

P	LTR	DESCRIPTION	DATE	DWN	APVD
1		INITIAL CREATED	08MAR2020	CL	RS
2		ADDED LABEL	22APR2022	CL	WH
A		INITIAL CREATED	15MAY2022	CL	WH



- NOTES:
- MATERIAL AND PROCESSING MUST MEET REQUIREMENTS OF TEC-138-702
 - MATERIAL CHARACTER
 - 1.85 CONNECOTR:
 - BODY & NUT: STAINLESS STEEL
 - CONTACT: BeCU GOLD PLATING
 - INSULATION: PEI
 - CABLE: HI-FLEXIBLE, BLACK
 - PRODUCT RATING:
 - TEMPERATURE: -40°C TO +85°C
 - VOLTAGE: 250V (RMS)
 - CHARACTERISTIC IMPEDANCE: 50 OHMS Normal
 - FREQUENCY RANGE: DC TO 67GHz
 - DURABILITY: NO LESS THAN 500TIMES
 - CABLE RETENTION FORCE: 110N MIN
 - BEND RADIUS: 14MM MIN (STATIC)
35MM MIN(REPEATED)
 - CABLE ASSEMBLY TO BE 100% SI TESTED
 - VSWR: 1.45:1 MAX @ DC~40GHz
1.60:1 MAX @ 40~67GHz
 - INSERT LOSS: REFER TO TABLE
 - 1.85 CONNECTOR COUPLING TORQUE: 0.9±0.1Nm
 - CONNECTOR NEED COVER WITH CAP, PACKAGE FOLLOW TEC-107-115
 - MATE WITH 2081408-1(NEED SEPARATE TO BUY)

1-2016476-0	39.4±0.30INCH	1000±8MM	-12.6dB MIN@67GHz
2016476-9	36.0±0.30INCH	910±8MM	-11.5dB MIN@67GHz
2016476-6	24.0±0.25INCH	610±6MM	-7.8dB MIN@67GHz
2016476-3	12.0±0.20INCH	305±5MM	-4.1dB MIN@67GHz
2016676-1	6.0±0.10ICH	152±5MM	-2.3dB MIN@67GHz
TE PN	LENGTH	INSERTION LOSS	


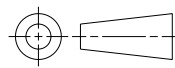
THIS DRAWING IS A CONTROLLED DOCUMENT.		DWN	08MAR2020		
		CHK	Cedar Liu 08MAR2020		
		APVD	22APR2022	NAME	
DIMENSIONS:		TOLERANCES UNLESS OTHERWISE SPECIFIED:		8IN1 CA, SMPM TO 1.85	
mm		0 PLC ±-		UP TO 67GHz	
		1 PLC ±0.2		-	
		2 PLC ±0.02		-	
		3 PLC ±0.002		-	
		4 PLC ±0.0001		-	
MATERIAL		FINISH		SIZE	
TBD		-		A3	
-		finish_spec_2		CAGE CODE	
				00779	
				DRAWING NO	
				C-2016676	
				RESTRICTED TO	
				-	
		WEIGHT		SCALE	
		-		1:2	
		CUSTOMER DRAWING		SHEET	
				1 OF 2	
				REV	
				A	

Printed on 17 May 2022 22:27 (China Standard Time) from JC001678

REVISIONS

P	LTR	DESCRIPTION	DATE	DWN	APVD
-		SEE SHEET 1	-	-	-

					STOCK DISPOSITION: (CHOOSE LETTER FROM PARENTHESES)			
					A. CONTINUE AS IS		D. USE OLD FIRST	
					B. REWORK		E. PARTS TO CONFORM	
					C. SCRAP		F. OTHER	
					INVENTORY	WORK IN PROCESS	SUPPLIER ORDERS	OPEN CUST. ORDERS
DATE	REV	CHANGES	REASON	APPROVAL	(A, B, C, D, E, F)	(A, B, C, F)	(A, E, F)	(A, E, F)
16APR2022	2	ADDED LABEL	INITIAL CREATED	WenKe He	A	A	A	A

THIS DRAWING IS A CONTROLLED DOCUMENT.		DWN	08MAR2020	 TE Connectivity	
		CHK	08MAR2020		
DIMENSIONS: mm		TOLERANCES UNLESS OTHERWISE SPECIFIED:		NAME 8IN1 CA, SMPM TO 1.85 UP TO 67GHz	
		0 PLC ±-		APVD	
		1 PLC ±0.2		22APR2022	
		2 PLC ±0.02		PRODUCT SPEC	
		3 PLC ±0.002		-	
		4 PLC ±0.0001		APPLICATION SPEC	
		ANGLES ±		-	
MATERIAL TBD		FINISH -		WEIGHT	
		finish_spec_2		-	
		CUSTOMER DRAWING		SIZE	RESTRICTED TO
				A3	-
				CAGE CODE	DRAWING NO
				00779	C-2016676
				SCALE	SHEET
				1:2	2 OF 2
				REV	A

printed on 17 May 2022 22:27 (China Standard Time) from JC001678

X-ON Electronics

Largest Supplier of Electrical and Electronic Components

Click to view similar products for [RF Cable Assemblies](#) category:

Click to view products by [TE Connectivity](#) manufacturer:

Other Similar products are found below :

[73-6352-10](#) [73-6353-3](#) [73-6364-6](#) [R285001001](#) [R288940004](#) [145111-05-12.00](#) [1661-C-24](#) [1801171170914KE](#) [24P104C24J1-012](#)
[24P104C24P1-018](#) [24P204C24J1-003](#) [FCB-3030-ALT](#) [21117-046](#) [21117-050](#) [24P103C24P2-003](#) [PTWY-24-78](#) [R284008001](#) [R285001021](#)
[R288940003](#) [R288940034](#) [MDM-21PH006P-A174](#) [4814-BB-24](#) [5260-72](#) [DLP-COAX1](#) [4814-K-48](#) [115101-09-06.00](#) [MXHT83QE3000](#) [73-](#)
[6351-25](#) [73-6352-3](#) [73-6353-25](#) [81-6201-1600](#) [GD0BQ0BQ024.0](#) [1-3636-600-5210](#) [R288940009](#) [R288940002](#) [PT82NSMA](#) [73-6353-10](#)
[Minibend-9](#) [Minibend-4](#) [BNC TO SMA Cable](#) [MIKROE-274](#) [Microbend MTR-11](#) [PT815NN](#) [MF53/1x8A_21MXP/11SK/305](#) [Minibend-3](#)
[Minibend-11](#) [Minibend-6](#) [Minibend-2.5](#) [Minibend-13](#) [Minibend-3.5](#)