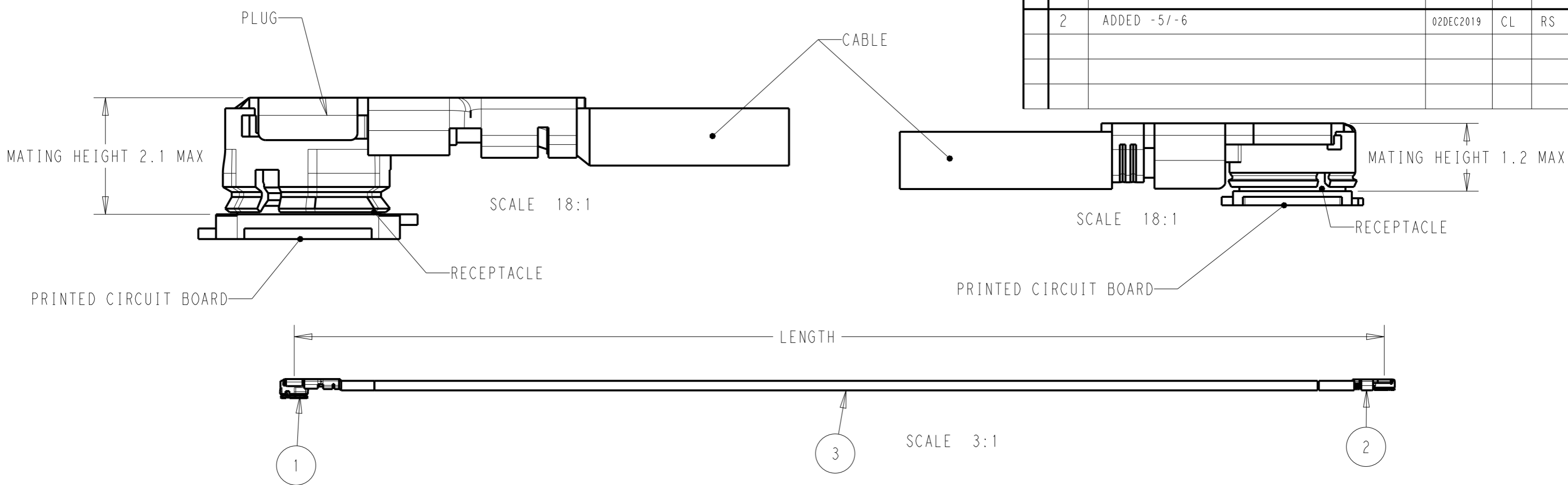


P	LTR	DESCRIPTION	DATE	DWN	APVD
2		ADDED -5/-6	02DEC2019	CL	RS



THIS PRINT IS
PRELIMINARY
UNQUALIFIED PRODUCT
CONTACT PRODUCT ENGINEERING
BEFORE USING THIS PRINT

1-2016677-0	220±3
2016677-9	170±3
2016677-8	120±3
2016677-7	70+3
2016677-6	350±3
2016677-5	250±3
2016677-4	80±3
2016677-3	50±3
2016677-2	80±3
2016677-1	50+3
PART NUMBER	LENGTH

- NOTES:
- MATERIAL AND PROCESSING MUST MEET REQUIREMENTS OF TEC-138-702
 - UMCC GEN2 AND GEN4 MATING HEIGHT AS SHOW
 - PRODUCT RATING:
TEMPERATURE: -45°C TO +85°C
VOLTAGE: 30V (RMS)
CHARACTERISTIC IMPEDANCE: 50 OHMS Normal
FREQUENCY RANGE: DC TO 6GHz
BEND RADIUS: 4.5MM MIN
 - CABLE ASSEMBLY TO BE 100% SI TESTED
VSWR:
1.3:1 MAX @ DC~1000MHz
1.5:1 MAX @ 1000~4000MHz
2.0:1 MAX @ 4000~6000MHz
INSERT LOSS:
(5.30*LENGTH+0.4)dB MAX @2GHz
LENGTH UNIT IS METER IN THE FORMULA
 - UMCC CAN MATE WITH I-PEX MHF SERIES AND HIROSE U.FL SERIES

Q'TY	UNIT	DESCRIPTION	ITEM
PC	1	COAXIAL CABLE, 0.81MM, 500HM, BLACK	3
PC	1	UMCC PLUG, GEN4, FOR 0.81 CABLE	2
PC	1	UMCC PLUG, GEN2, FOR 0.81 CABLE	1

THIS DRAWING IS A CONTROLLED DOCUMENT.		DWN	22MAR2019	TE TE Connectivity	
DIMENSIONS: mm		CHK	-		
TOLERANCES UNLESS OTHERWISE SPECIFIED: 0 PLC ±- 1 PLC ±0.1 2 PLC ±0.01 3 PLC ±0.001 4 PLC ±0.0001 ANGLES ±-		APVD	-	NAME RF CA, UMCC GEN2-GEN4, 0.81, BK	
MATERIAL TBD material_2		PRODUCT SPEC	-	SIZE A3	
FINISH - finish_spec_2		APPLICATION SPEC	-	CAGE CODE 00779	DRAWING NO C-2016677
		WEIGHT	-	RESTRICTED TO -	
		CUSTOMER DRAWING		SCALE 1:1	SHEET 1 OF 1
				REV 3	

X-ON Electronics

Largest Supplier of Electrical and Electronic Components

Click to view similar products for [RF Cable Assemblies](#) category:

Click to view products by [TE Connectivity](#) manufacturer:

Other Similar products are found below :

[73-6352-10](#) [73-6353-3](#) [73-6364-6](#) [R285001001](#) [R288940004](#) [145111-05-12.00](#) [1661-C-24](#) [1801171170914KE](#) [24P104C24J1-012](#)
[24P104C24P1-006](#) [24P104C24P1-018](#) [24P204C24J1-003](#) [172-2150-EX](#) [1800920920914PJ](#) [FCB-3030-ALT](#) [21117-046](#) [21117-050](#) [PCX-24-](#)
[50](#) [24P103C24P2-003](#) [25P203C25P2-003](#) [PTWY-24-78](#) [R284008001](#) [R285001021](#) [R285426000](#) [R288940003](#) [R288940008](#) [4814-BB-24](#)
[5260-72](#) [JT2N1-CL1-1F](#) [DLP-COAX1](#) [4814-K-48](#) [115101-09-06.00](#) [MXHT83QE3000](#) [CCNTN2-MM-LL335-26](#) [73-6351-25](#) [73-6352-3](#) [73-](#)
[6353-25](#) [1800920920610PJ](#) [GD0BQ0BQ024.0](#) [1-3636-600-5210](#) [TL8A-11SMA-11SMA-01500-51](#) [R284C0351060](#) [R288940009](#)
[R284C0351028](#) [R288940002](#) [9702-1SL-1](#) [PT82NSMA](#) [73-6353-10](#) [R285020301W](#) [PCX-18-50](#)