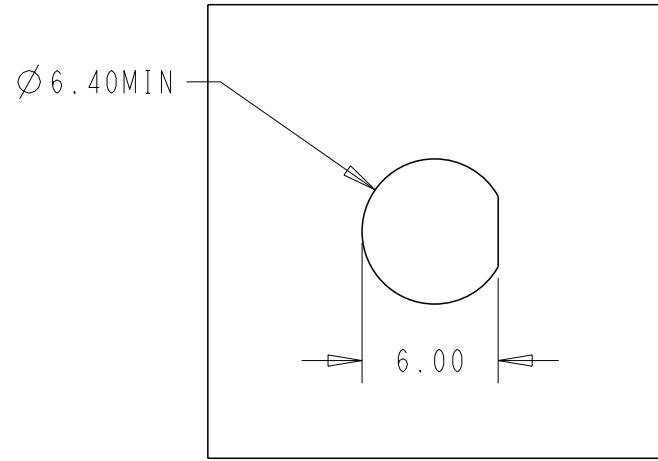
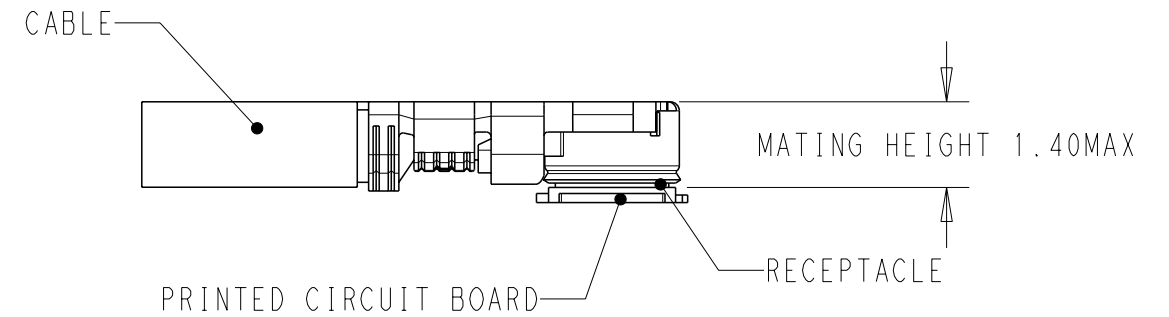


P	LTR	DESCRIPTION	DATE	DWN	APVD
2		CORRECTED CONNECTOR DIMENSION	18MAY2020	CL	SZ
3		ADDED UMCC MATING DIM	18MAY2020	CL	SZ
3		ECR-15-001339	18MAY2020	CL	SZ



RECOMMENDED MOUNTING HOLE



THIS PRINT IS  
**PRELIMINARY**

UNQUALIFIED PRODUCT  
CONTACT PRODUCT ENGINEERING  
BEFORE USING THIS PRINT

- NOTES:
- MATERIAL AND PROCESSING MUST MEET REQUIREMENTS OF TEC-138-702
  - SMA BULKHEAD NEED ASSEMBLY NUT AND WASHER
  - PRODUCT RATING:  
TEMPERATURE: -45°C TO +85°C  
VOLTAGE: 30V (RMS)  
CHARACTERISTIC IMPEDANCE: 50 OHMS Normal  
FREQUENCY RANGE: DC TO 6GHz  
BEND RADIUS: 5MM MIN
  - CABLE ASSEMBLY TO BE 100% SI TESTED  
VSWR:  
1.3:1 MAX @ DC~1000MHz  
1.5:1 MAX @ 1000~4000MHz  
2.0:1 MAX @ 4000~6000MHz  
INSERT LOSS: (2.60\*LENGTH+0.4)dB MAX @2GHz  
LENGTH UNIT IS METER IN THE FORMULA
  - SMA INTERFACE FOLLOW IEC 60169-15  
UMCC IV CAN MATE WITH I-PEX MHF4L SERIES AND HIROSE U.FL SERIES

2016694-9	500±5
2016694-8	450±5
2016694-7	350±5
2016694-6	300±3
2016694-5	250±3
2016694-4	200±3
2016694-3	150±3
2016694-2	100±3
2016694-1	50+3
PART NUMBER	LENGTH

PC	Q'TY	UNIT	DESCRIPTION	ITEM
PC	1		HEAT SHRINK TUBE	3
PC	0.5		RF CA,UMCC4 BOTH END, WITH 1.13CABLE	2
PC	1		SMA BULKHEAD, FOR 1.13 CABLE	1

THIS DRAWING IS A CONTROLLED DOCUMENT.		DWN 25FEB2019 Cedar Liu		
		CHK 26FEB2019 Roger Song		
DIMENSIONS: mm		APVD - Roger Song	NAME RF CA,SMA BULKHEAD TO UMCC GEN4 WITH 1.13 CABLE	
		PRODUCT SPEC -	SIZE A3 CAGE CODE 00779 DRAWING NO C-2016694 RESTRICTED TO -	
TOLERANCES UNLESS OTHERWISE SPECIFIED: 0 PLC ±- 1 PLC ±0.5 2 PLC ±0.13 3 PLC ±0.013 4 PLC ±0.0001 ANGLES ±-		APPLICATION SPEC -	SCALE 1:1 SHEET 1 OF 1 REV 3	
MATERIAL TBD FINISH - finish_spec_2		WEIGHT -	CUSTOMER DRAWING	

## X-ON Electronics

Largest Supplier of Electrical and Electronic Components

*Click to view similar products for [RF Cable Assemblies](#) category:*

*Click to view products by [TE Connectivity](#) manufacturer:*

Other Similar products are found below :

[73-6352-10](#) [73-6353-3](#) [73-6364-6](#) [R285001001](#) [R288940004](#) [145111-05-12.00](#) [1661-C-24](#) [1801171170914KE](#) [24P104C24J1-012](#)  
[24P104C24P1-006](#) [24P104C24P1-018](#) [24P204C24J1-003](#) [172-2150-EX](#) [1800920920914PJ](#) [FCB-3030-ALT](#) [21117-046](#) [21117-050](#) [PCX-24-](#)  
[50](#) [24P103C24P2-003](#) [25P203C25P2-003](#) [PTWY-24-78](#) [R284008001](#) [R285001021](#) [R285426000](#) [R288940003](#) [R288940008](#) [4814-BB-24](#)  
[5260-72](#) [JT2N1-CL1-1F](#) [DLP-COAX1](#) [4814-K-48](#) [115101-09-06.00](#) [MXHT83QE3000](#) [CCNTN2-MM-LL335-26](#) [73-6351-25](#) [73-6352-3](#) [73-](#)  
[6353-25](#) [1800920920610PJ](#) [GD0BQ0BQ024.0](#) [1-3636-600-5210](#) [TL8A-11SMA-11SMA-01500-51](#) [R284C0351060](#) [R288940009](#)  
[R284C0351028](#) [R288940002](#) [9702-1SL-1](#) [PT82NSMA](#) [73-6353-10](#) [R285020301W](#) [PCX-18-50](#)