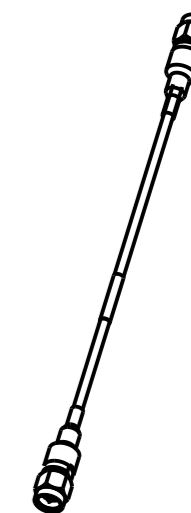
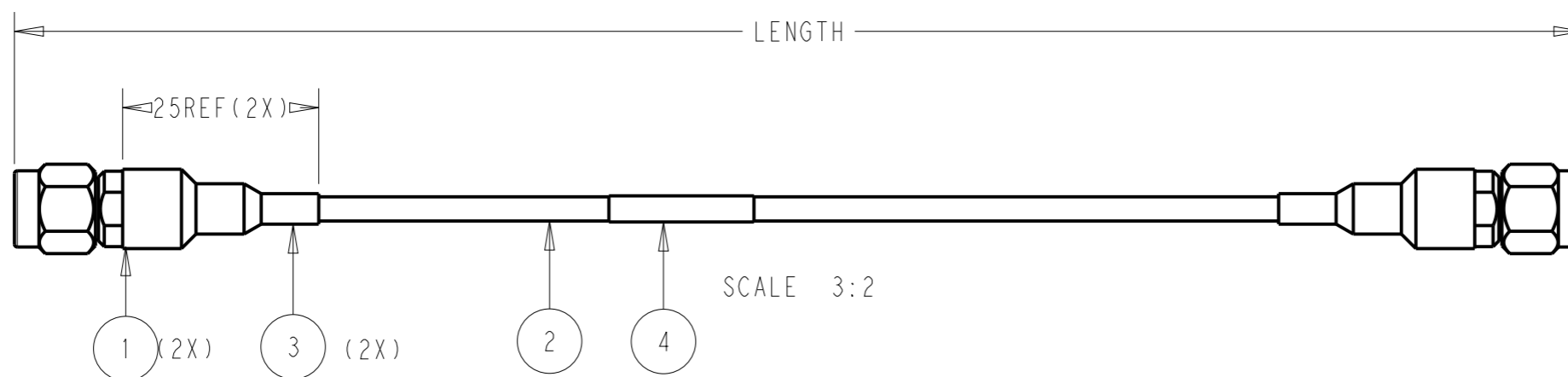


P	LTR	DESCRIPTION	DATE	DWN	APVD
	A	INITIAL CREATED	30MAR2021	CL	WH



2-2016757-0	2000±10
1-2016757-5	1500±10
1-2016757-0	1000±10
2016757-9	350±5
2016757-8	250±3
2016757-7	150±3
2016757-6	50±3
2016757-5	500±5
2016757-4	400±5
2016757-3	300±4
2016757-2	200±3
2016757-1	100±3
PART NUMBER	LENGTH

NOTES:

- MATERIAL AND PROCESSING MUST MEET REQUIREMENTS OF TEC-138-702
- MATERIAL CHARACTERISTIC
SMA CONN: INNER CONTACT: BeCu, 30MICRO-INCH MIN GOLD PLATING
OUTER BODY: STAINLESS STEEL, PASSIVATION
OTHER: BRASS
CABLE: RG405 (.086) FLEXIBLE CABLE, BLUE
- PRODUCT RATING:
TEMPERATURE: -45°C TO +125°C
VOLTAGE: 500V (RMS)
CHARACTERISTIC IMPEDANCE: 50OHMS (NORMAL)
FREQUENCY RANGE: DC TO 27GHz
BEND RADIUS: 12MM MIN (REPEATED)
- CABLE ASSEMBLY TO BE 100% SI TESTED
VSWR: 1.25:1 MAX @ DC~27000MHz
INSERT LOSS: $\{[0.0207 * \text{SQRT}(f) + 0.000039 * f] * \text{LENGTH} + 0.015f / 1000\}$ dB (TYPICAL)
LENGTH UNIT IS METER IN THE FORMULA. f IS FREQUENCY IN MHz
- CONNECTOR FOLLOW IEC 60169-15
- CABLE ASSEMBLY CAN MEET MECHANICAL
COUPLING TORQUE(NORMAL): 0.8~1.1N.M
TENSILE STRENGTH OF COUPLING: 180N MIN
CABLE PULLING: 90N MIN
- LABEL WILL MARK PN, NAME, YEAR AND WEEK
- CONNECTOR BE PROTECTED WITH CAP

PC	Q'TY	DESCRIPTION	ITEM
PC	1	LABEL	4
MR	AR	HEAT SHRINK TUBE BLACK	3
MR	AR	EPC-086 CABLE, 27GHz, FLEX, BLUE	2
PC	2	SMA PLUG, 27GHz, FOR EPC-086	1

THIS DRAWING IS A CONTROLLED DOCUMENT.		DWN 09DEC2020 Cedar Liu		
DIMENSIONS: mm		CHK 09DEC2020 Roger Song		
TOLERANCES UNLESS OTHERWISE SPECIFIED:		APVD - Wenke He	NAME EP-SMA, 27GHz STR, M-M, RG405(.086) FLEX	
0 PLC ±-		PRODUCT SPEC -	-	
1 PLC ±0.1		APPLICATION SPEC -	-	
2 PLC ±0.01		WEIGHT -	SIZE A3	CAGE CODE 00779
3 PLC ±0.001		MATERIAL TBD	DRAWING NO C-2016757	RESTRICTED TO -
4 PLC ±0.0001			FINISH -	SCALE 1:1
ANGLES ±-		finish_spec_2	CUSTOMER DRAWING	REV A

X-ON Electronics

Largest Supplier of Electrical and Electronic Components

Click to view similar products for [RF Cable Assemblies](#) category:

Click to view products by [TE Connectivity](#) manufacturer:

Other Similar products are found below :

[73-6352-10](#) [73-6353-3](#) [73-6364-6](#) [R285001001](#) [R288940004](#) [145111-05-12.00](#) [1661-C-24](#) [1801171170914KE](#) [24P104C24J1-012](#)
[24P104C24P1-006](#) [24P104C24P1-018](#) [24P204C24J1-003](#) [172-2150-EX](#) [1800920920914PJ](#) [FCB-3030-ALT](#) [21117-046](#) [21117-050](#) [PCX-24-](#)
[50](#) [24P103C24P2-003](#) [25P203C25P2-003](#) [PTWY-24-78](#) [R284008001](#) [R285001021](#) [R285426000](#) [R288940003](#) [R288940008](#) [4814-BB-24](#)
[5260-72](#) [JT2N1-CL1-1F](#) [DLP-COAX1](#) [4814-K-48](#) [115101-09-06.00](#) [MXHT83QE3000](#) [CCNTN2-MM-LL335-26](#) [73-6351-25](#) [73-6352-3](#) [73-](#)
[6353-25](#) [1800920920610PJ](#) [GD0BQ0BQ024.0](#) [1-3636-600-5210](#) [TL8A-11SMA-11SMA-01500-51](#) [R284C0351060](#) [R288940009](#)
[R284C0351028](#) [R288940002](#) [9702-1SL-1](#) [PT82NSMA](#) [73-6353-10](#) [R285020301W](#) [PCX-18-50](#)