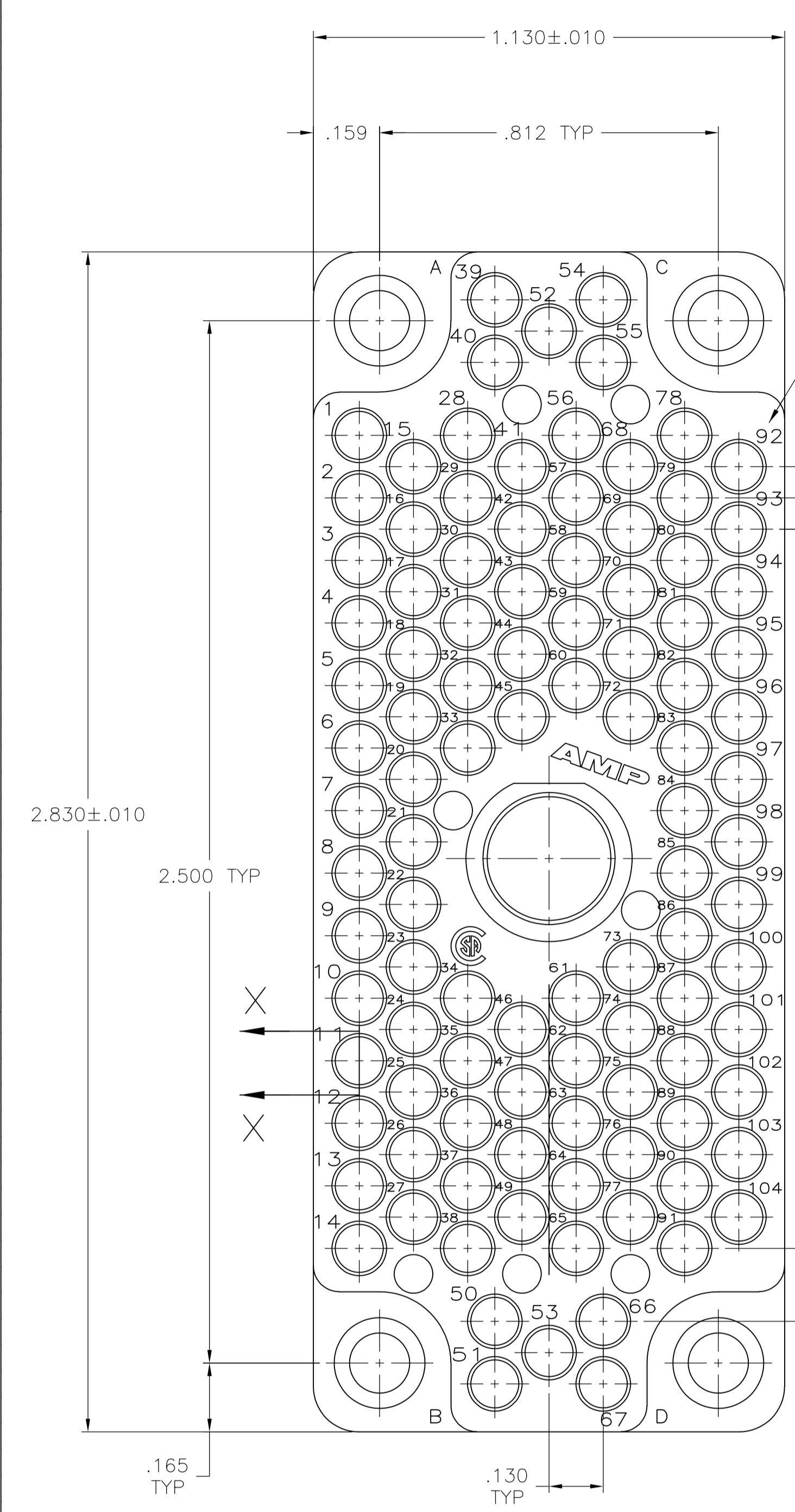
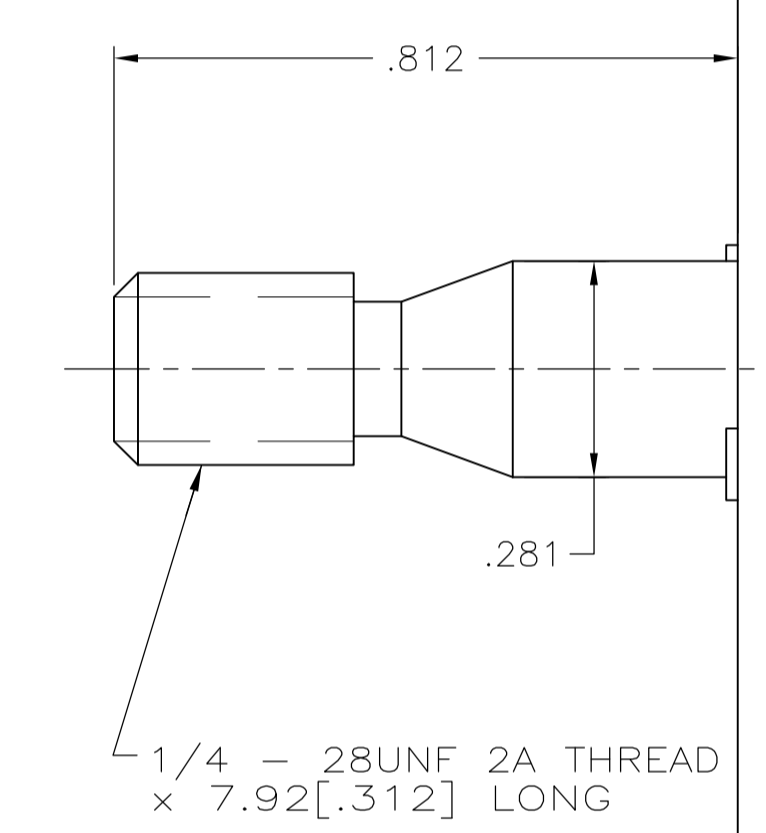


REVISIONS				
P	LTR	DESCRIPTION	DATE	APP'D
AN3	REVISED PER	ECO-16-004000	28SEP2016	NK MZ

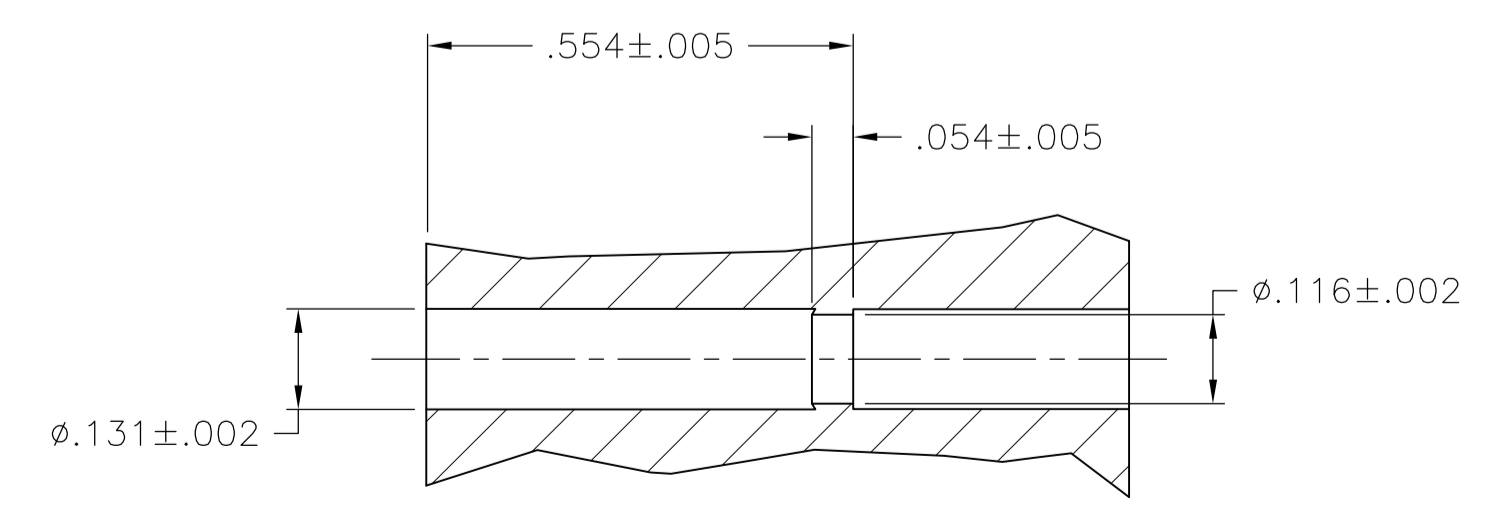


MATING FACE  
MOLDED CHARACTERS BOTH SIDES

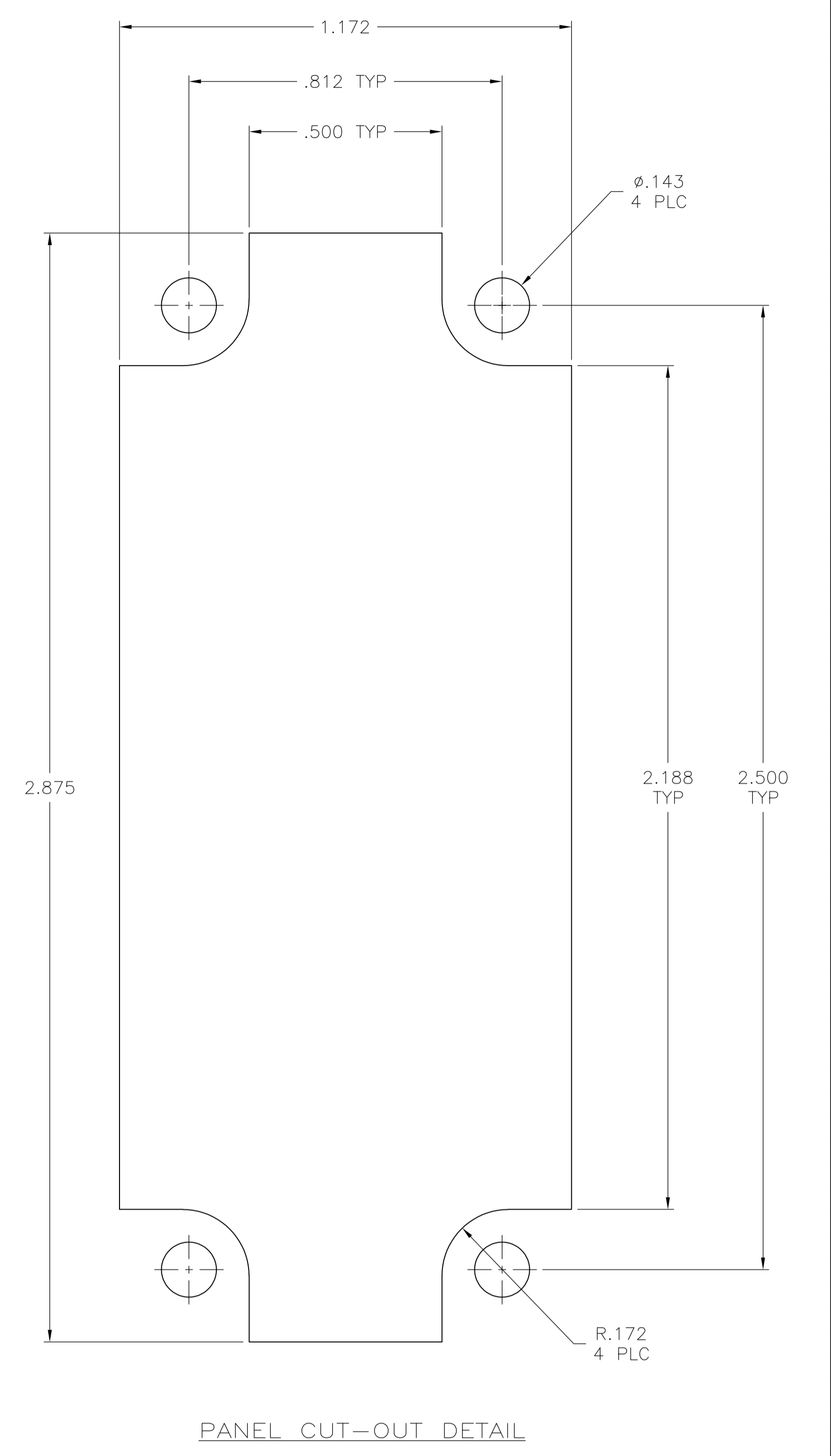
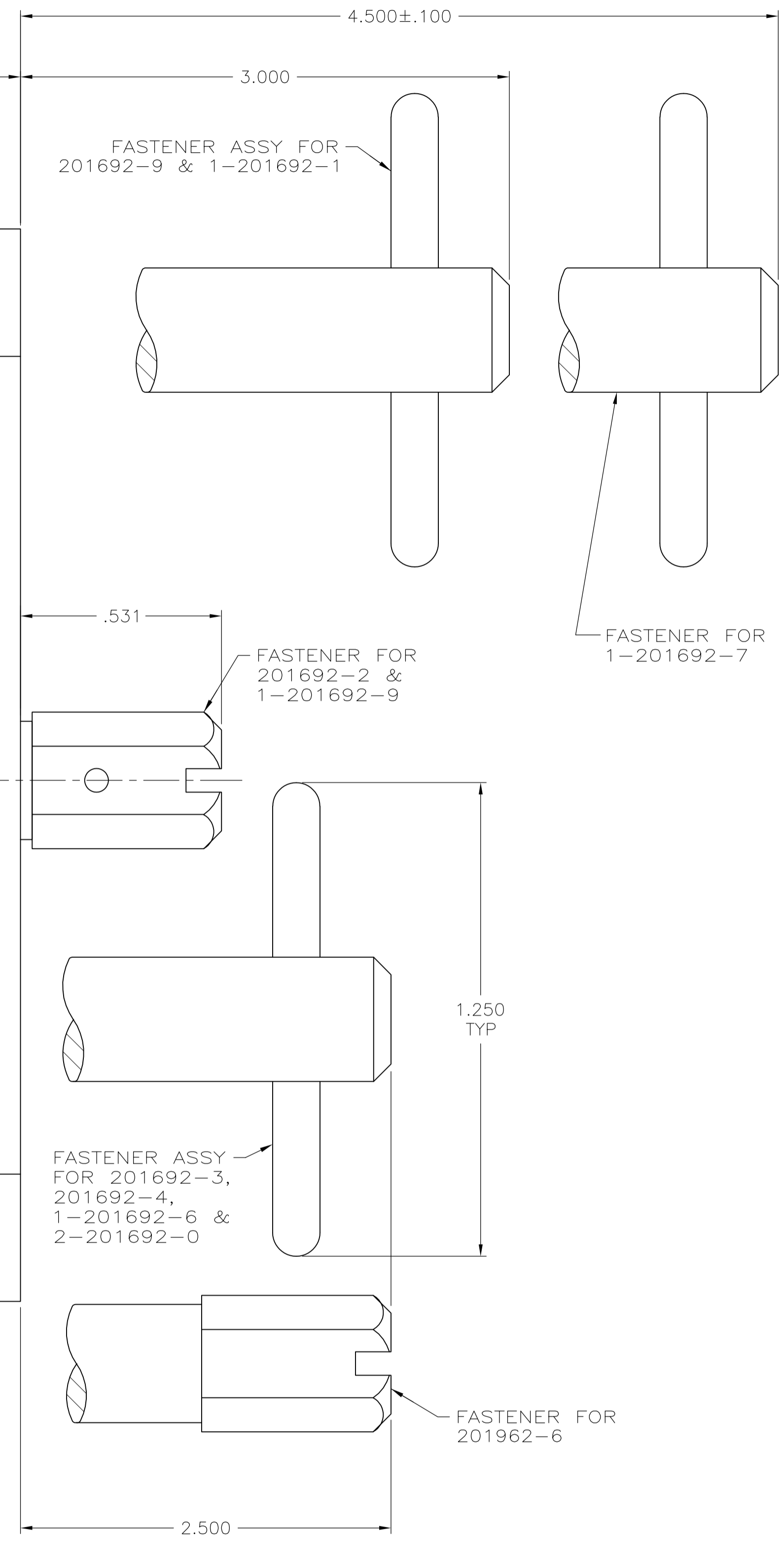
.150 TYP  
.075 TYP



AMP, PART NUMBER & DATE CODE IN THIS AREA



- 1 PHENOLIC PER MIL-M-14F, TYPE MFH, BLACK.
- 2 DIALLYL PHTHALATE PER MIL-M-14F, TYPE SDG-F, BLUE.
- 3 VALOX 420 SEO.
- 4 ACCOMMODATES TYPE II OR TYPE III SIZE #16 SOCKET CONTACTS.
- 5 STAINLESS STEEL.
- 6 FOR MATING BLOCK SEE CUSTOMER DRAWING 201532.



OBSOLETE	REV	PART NUMBER
	1	-2-201692-0
	3	1-201692-9
	1	1-201692-7
	3	1-201692-6
	1	1-201692-1
	2	201692-9
	1	201692-6
	1	201692-4
	2	201692-3
	1	201692-2

THIS DRAWING IS A CONTROLLED DOCUMENT.

DIMENSIONS: INCHES	TOLERANCES UNLESS OTHERWISE SPECIFIED:	0 PLC ± .005	1 PLC ± .005	2 PLC ± .005	3 PLC ± .005	4 PLC ± .005	ANGLES ± .005	FINISH
MATERIAL: BLOCK: SEE TABLE HARDWARE & INSERTS								

APPROVED: G.A. STEINHAUER, DATE: 03 JAN 96, NAME: G.A. STEINHAUER

APPROVED: C. DORWART, DATE: 19 DEC 95, NAME: C. DORWART

APPROVED: C. REIFSNYDER, DATE: 14 DEC 95, NAME: C. REIFSNYDER

STE TE Connectivity

PLUG BLOCK ASSEMBLY, 104 POSITION, RECTANGULAR M SERIES

SIZE: A1, CAGE CODE: 00779, DRAWING NO: 201692, WEIGHT: -

CUSTOMER DRAWING, SCALE: 4:1, SHEET: 1 OF 1, REV: AN3

## X-ON Electronics

Largest Supplier of Electrical and Electronic Components

*Click to view similar products for [Rack & Panel Connectors](#) category:*

*Click to view products by [TE Connectivity](#) manufacturer:*

Other Similar products are found below :

[00171410002](#) [00171420202](#) [00171440002](#) [02-014-013-5200-000](#) [613467-000](#) [CTJ112E01E-513](#) [CTJ116E03A-513](#) [66020-2](#) [CW8958-000](#)  
[699886-000](#) [D250-50632](#) [70.400.3240.0](#) [70.955.2453.3](#) [733753-000](#) [F22831-000](#) [780-522-DPX34RG8-02](#) [8660-501](#) [87.060.0053.0](#)  
[900709N001](#) [928358-1](#) [D-659-0061](#) [1-445717-6](#) [1484469-2](#) [1604997-2](#) [MTC100-BF1-P31CS015](#) [MTC100-KT2-0083](#) [MTC100-KT2-0123-](#)  
[003](#) [MTC100-YA1-005](#) [MTCQKT1R2PGCA](#) [MTCR-103-04S](#) [MTCX1X-100-100CS025](#) [1738331-1](#) [1757667-1](#) [1811481-1](#) [1883433-1](#)  
[201046-7](#) [202648-4](#) [213364-1](#) [226503-000](#) [937028-164](#) [1663130-2](#) [172305-4](#) [F36711-000](#) [202355-2](#) [202356-2](#) [G16S-A](#) [G20S-AB](#) [CHA-](#)  
[0017-003](#) [CHA-0296](#) [354654-000](#)