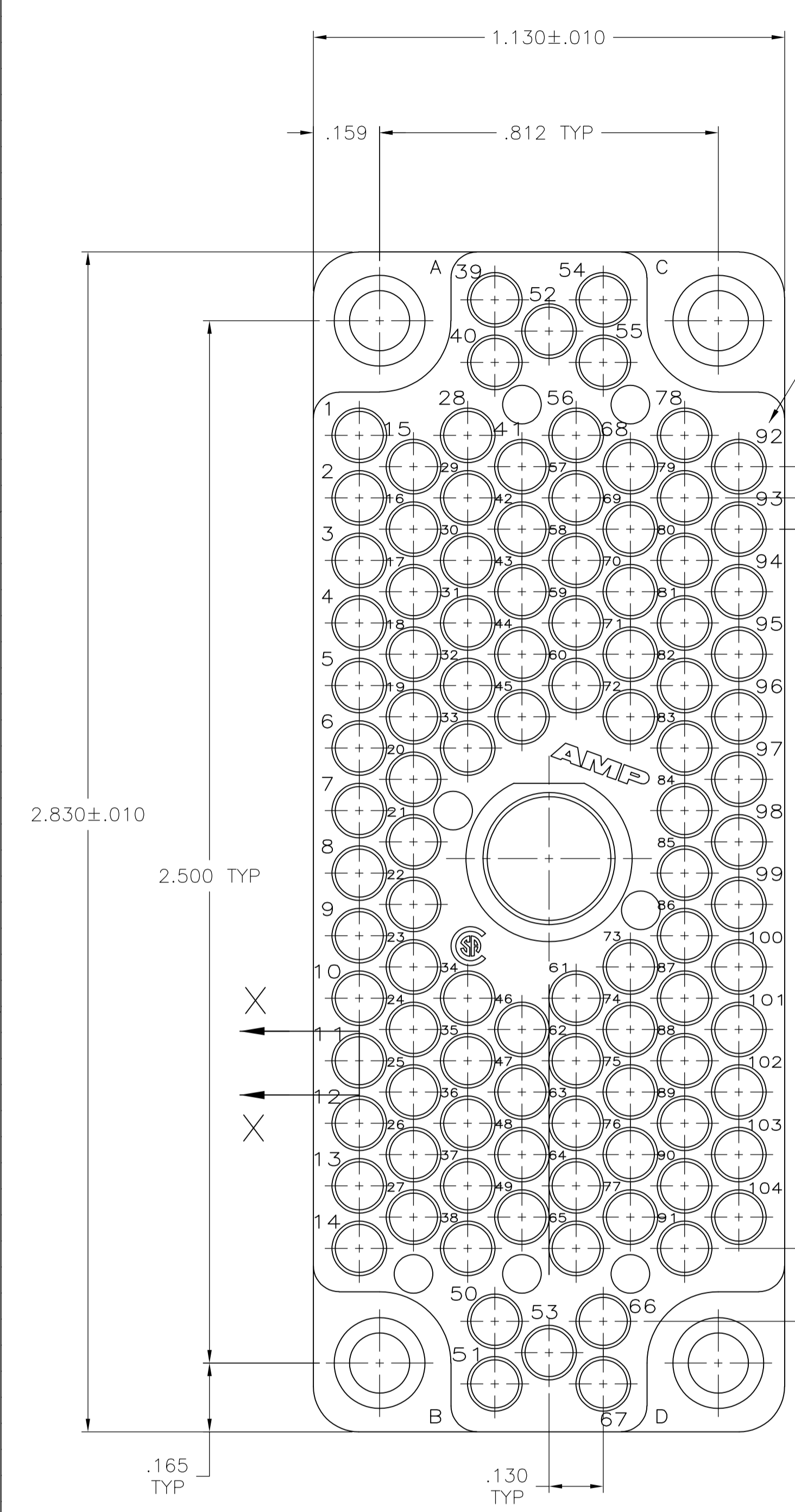
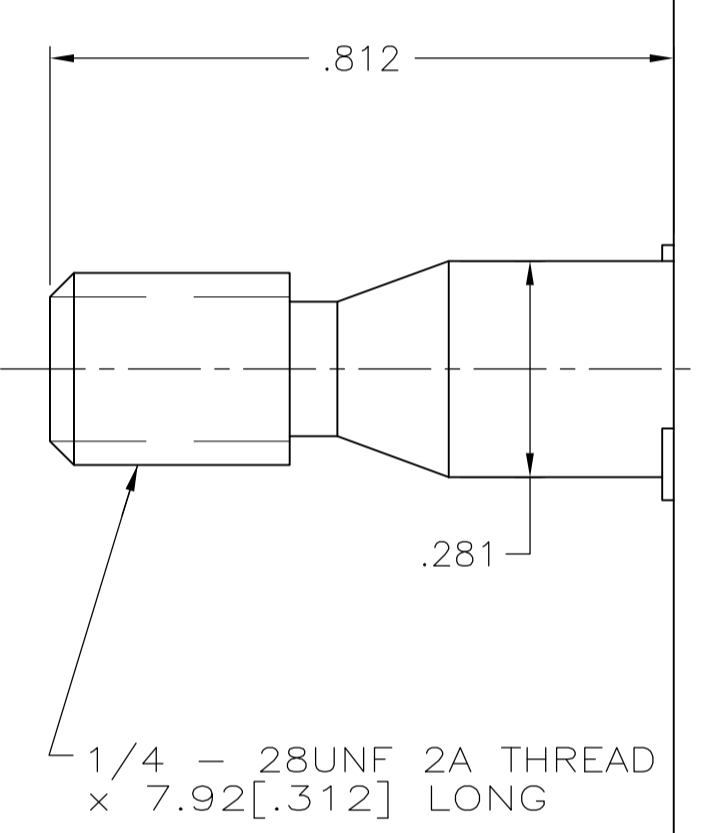


| REVISIONS |             |               |           |       |
|-----------|-------------|---------------|-----------|-------|
| P         | LTR         | DESCRIPTION   | DATE      | APP'D |
| AN3       | REVISED PER | ECO-16-004000 | 28SEP2016 | NK MZ |

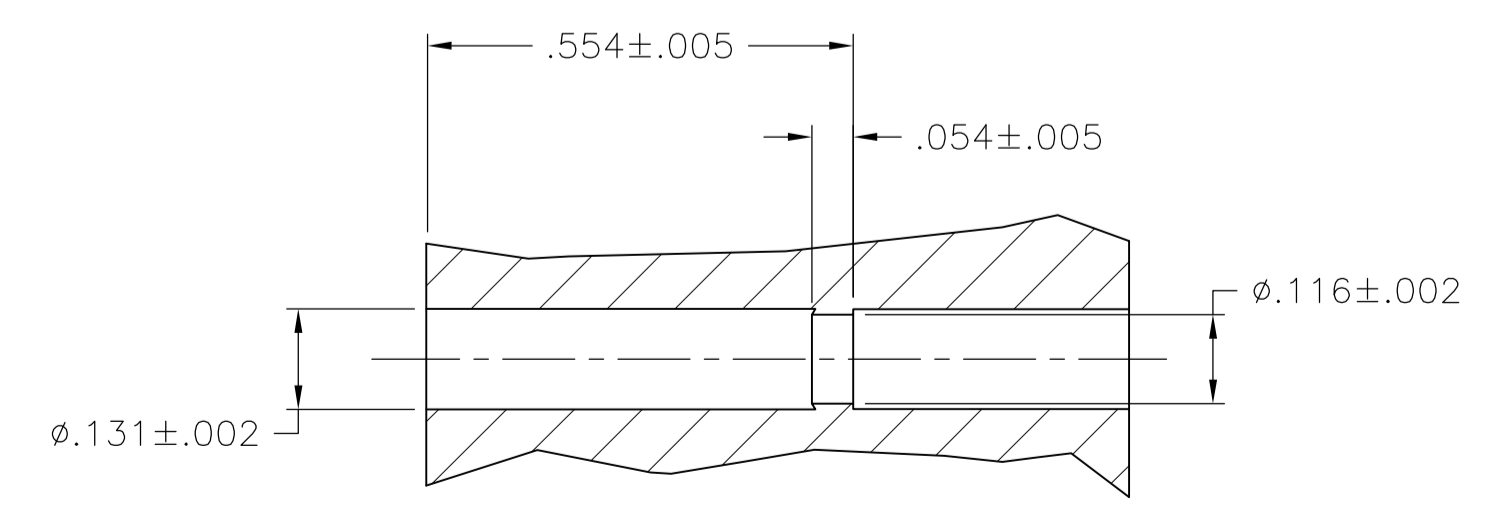


MATING FACE  
MOLDED CHARACTERS BOTH SIDES

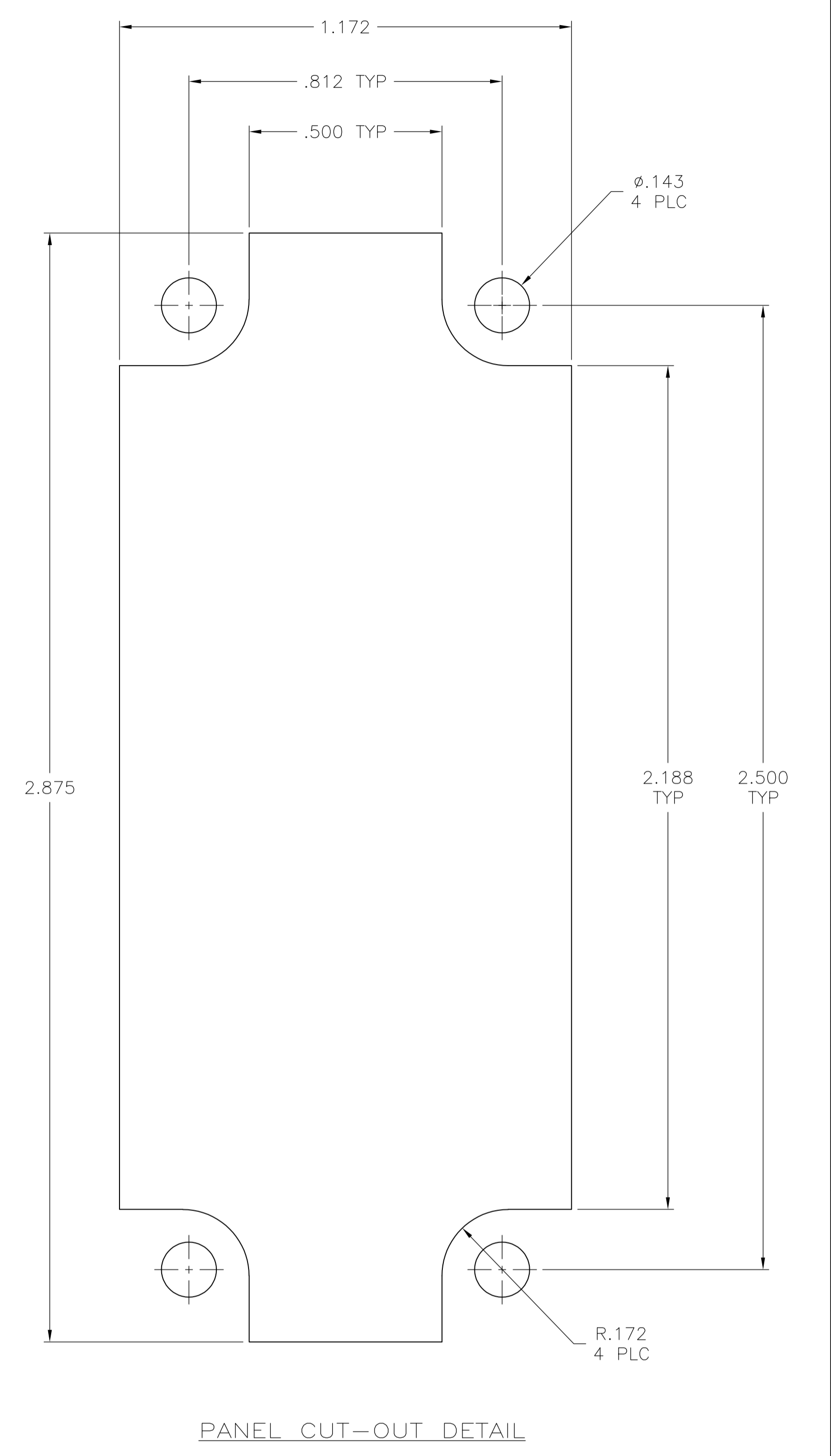
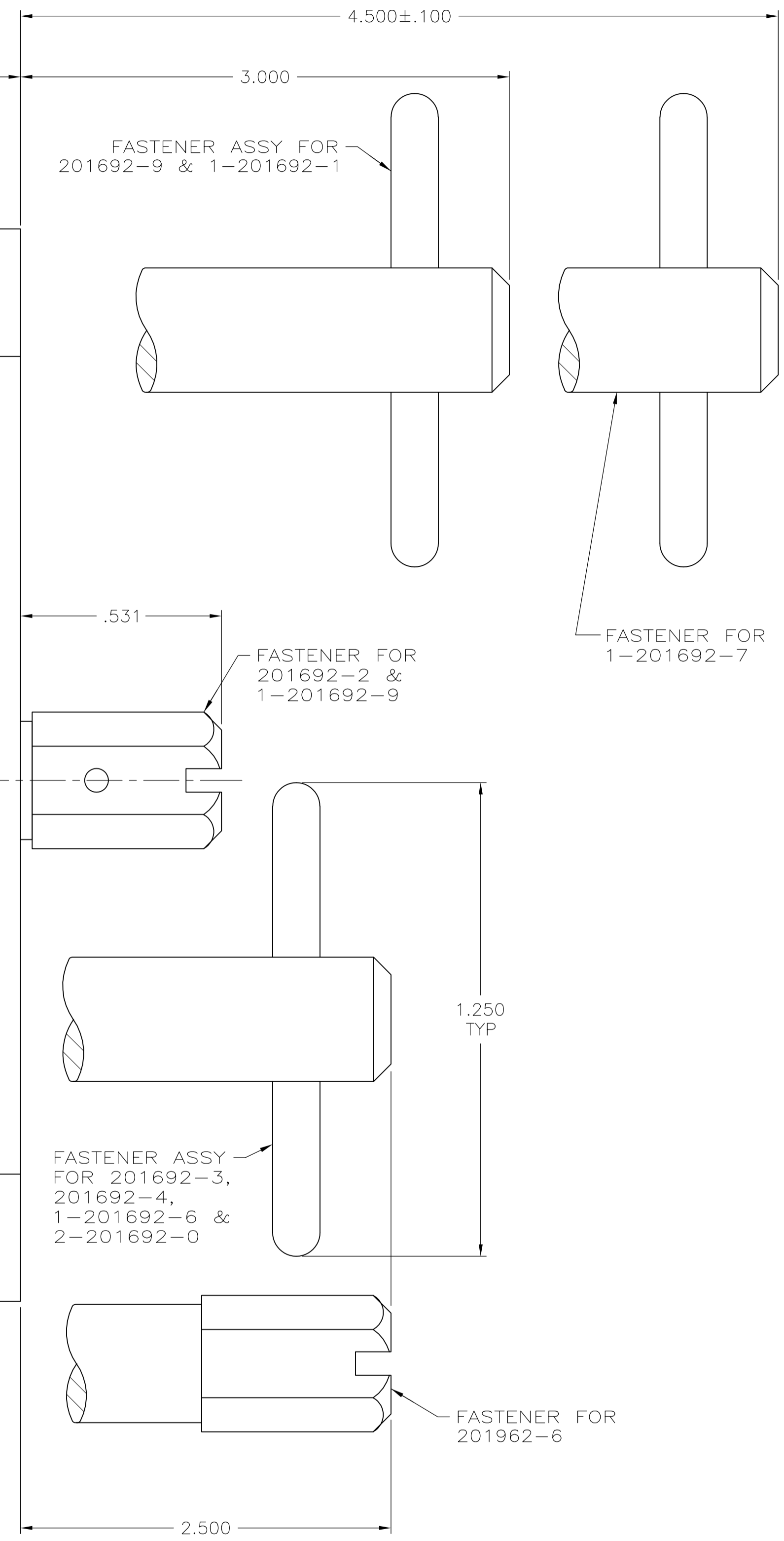
.150 TYP  
.075 TYP



AMP, PART NUMBER & DATE CODE IN THIS AREA



- 1 PHENOLIC PER MIL-M-14F, TYPE MFH, BLACK.
- 2 DIALLYL PHTHALATE PER MIL-M-14F, TYPE SDG-F, BLUE.
- 3 VALOX 420 SEO.
- 4 ACCOMMODATES TYPE II OR TYPE III SIZE #16 SOCKET CONTACTS.
- 5 STAINLESS STEEL.
- 6 FOR MATING BLOCK SEE CUSTOMER DRAWING 201532.



| OBSOLETE | REV | PART NUMBER  |
|----------|-----|--------------|
|          | 1   | -2-201692-0- |
|          | 3   | 1-201692-9   |
|          | 1   | 1-201692-7   |
|          | 3   | 1-201692-6   |
|          | 1   | 1-201692-1   |
|          | 2   | 201692-9     |
|          | 1   | 201692-6     |
|          | 1   | 201692-4     |
|          | 2   | 201692-3     |
|          | 1   | 201692-2     |

THIS DRAWING IS A CONTROLLED DOCUMENT.

|  |  |              |              |              |              |               |               |        |
|--|--|--------------|--------------|--------------|--------------|---------------|---------------|--------|
| DIMENSIONS: INCHES                           | TOLERANCES UNLESS OTHERWISE SPECIFIED: | 0 PLC ± .005 | 1 PLC ± .005 | 2 PLC ± .005 | 3 PLC ± .005 | 4 PLC ± .005  | ANGLES ± .005 | FINISH |
| MATERIAL BLOCK: SEE TABLE HARDWARE & INSERTS | FINISH                                 | WEIGHT       | SIZE         | CAGE CODE    | DRAWING NO   | RESTRICTED TO |               |        |

APPROVED: G.A. STEINHAUER, 03 JAN 96, NAME: G.A. STEINHAUER, PRODUCT SPEC: APPLICATION SPEC, WEIGHT: A1 00779, DRAWING NO: 201692, SCALE: 4:1, SHEET: 1 OF 1, REV: AN3

STE TE Connectivity  
PLUG BLOCK ASSEMBLY, 104 POSITION, RECTANGULAR M SERIES

## X-ON Electronics

Largest Supplier of Electrical and Electronic Components

*Click to view similar products for [Rack & Panel Connectors](#) category:*

*Click to view products by [TE Connectivity](#) manufacturer:*

Other Similar products are found below :

[00171410002](#) [00171420202](#) [00171440002](#) [02-014-013-5200-000](#) [613467-000](#) [CTJ112E01E-513](#) [CTJ116E03A-513](#) [66020-2](#) [CW8958-000](#)  
[699886-000](#) [D250-50632](#) [70.400.3240.0](#) [70.955.2453.3](#) [733753-000](#) [F22831-000](#) [780-522-DPX34RG8-02](#) [8660-501](#) [87.060.0053.0](#)  
[900709N001](#) [928358-1](#) [D-659-0061](#) [1-445717-6](#) [1484469-2](#) [1604997-2](#) [MTC100-BF1-P31CS015](#) [MTC100-KT2-0083](#) [MTC100-KT2-0123-](#)  
[003](#) [MTC100-YA1-005](#) [MTC PQKT1R2PGCA](#) [MTCR-103-04S](#) [MTCX1X-100-100CS025](#) [1738331-1](#) [1757667-1](#) [1811481-1](#) [1883433-1](#)  
[201046-7](#) [202648-4](#) [205269-1](#) [213364-1](#) [226503-000](#) [937028-164](#) [1663130-2](#) [172305-4](#) [AC-660022-701BP](#) [F36711-000](#) [202355-2](#) [202356-](#)  
[2](#) [G16S-A](#) [G20S-AB](#) [CHA-0017-003](#)