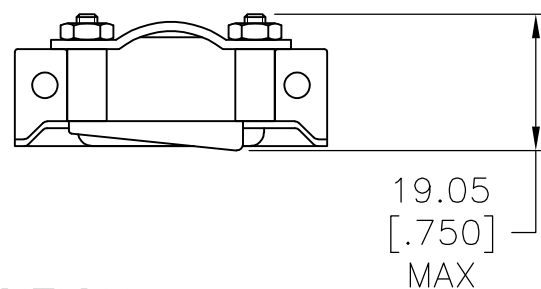
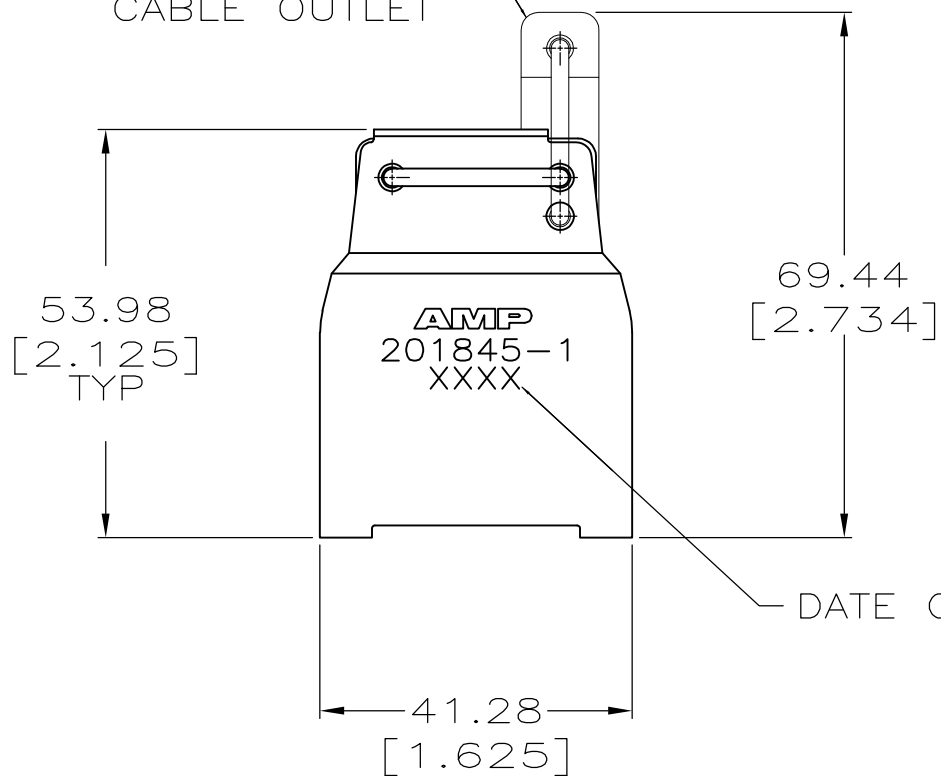


THIS DRAWING IS UNPUBLISHED. RELEASED FOR PUBLICATION
 © COPYRIGHT BY TYCO ELECTRONICS CORPORATION. ALL RIGHTS RESERVED.

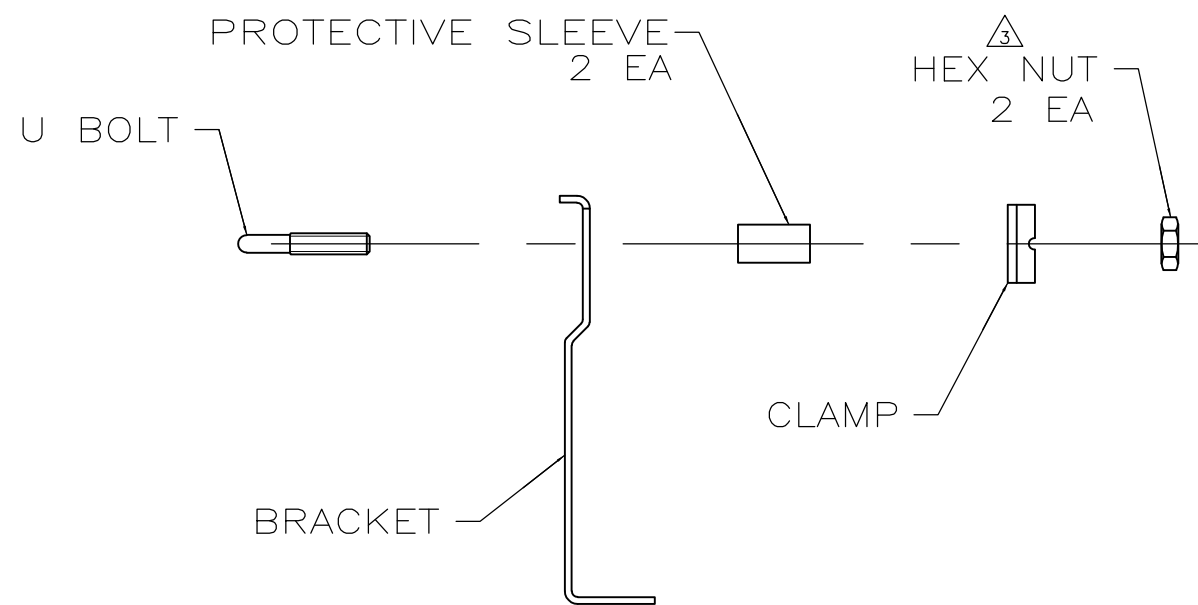
LOC	DIST	REVISIONS			
P	LTR	DESCRIPTION	DATE	DWN	APVD
FT	0	E	REVISED PER ECO-08-031035	15DEC08	HMR GS



ALTERNATE POSITION OF CLAMP FOR 90° CABLE OUTLET



ASSEMBLED VIEW



- 1 U BOLT: STAINLESS STEEL.
BRACKET, CLAMP & HEX NUT: CARBON STEEL.
PROTECTIVE SLEEVE: POLYVINYL CHLORIDE.
- 2 U BOLT: PASSIVATED.
BRACKET & CLAMP: 5.08um[.000200] MIN NICKEL PLATED.
- 3 ZINC PLATED.

201845-2
201845-1
PART NUMBER

THIS DRAWING IS A CONTROLLED DOCUMENT.		DWN C.REIFSNYDER 29 AUG 95	Tyco Electronics Corporation Harrisburg, Pa 17105-3608		
DIMENSIONS: mm [INCHES]		CHK R.STONE 31 AUG 95	NAME CLAMP KIT, UNASSEMBLED, STRAIN RELIEF, 26 PLACE, M SERIES		
TOLERANCES UNLESS OTHERWISE SPECIFIED:		APVD G.STEINHAUER 05 OCT 95	PRODUCT SPEC	SIZE	CAGE CODE
0 PLC	± -	PRODUCT SPEC	—	A3	00779
1 PLC	± -	APPLICATION SPEC	—	DRAWING NO	G-201845
2 PLC	± 0.38[.015]	—	—	RESTRICTED TO	—
3 PLC	± -	—	—	SCALE	1:1
4 PLC	± -	—	—	SHEET	1 OF 1
ANGLES	± -	—	—	REV	E
MATERIAL	FINISH	WEIGHT	—	CUSTOMER DRAWING	

X-ON Electronics

Largest Supplier of Electrical and Electronic Components

Click to view similar products for [Rack & Panel Connectors](#) category:

Click to view products by [TE Connectivity](#) manufacturer:

Other Similar products are found below :

[00171410002](#) [00171420202](#) [00171440002](#) [02-014-013-5200-000](#) [613467-000](#) [CTJ112E01E-513](#) [CTJ116E03A-513](#) [66020-2](#) [CW8958-000](#)
[699886-000](#) [D250-50632](#) [70.400.3240.0](#) [70.955.2453.3](#) [733753-000](#) [F22831-000](#) [780-522-DPX34RG8-02](#) [8660-501](#) [87.060.0053.0](#)
[900709N001](#) [928358-1](#) [D-659-0061](#) [1-445717-6](#) [1484469-2](#) [1604997-2](#) [MTC100-BF1-P31CS015](#) [MTC100-KT2-0083](#) [MTC100-KT2-0123-](#)
[003](#) [MTC100-YA1-005](#) [MTCQKT1R2PGCA](#) [MTCR-103-04S](#) [MTCX1X-100-100CS025](#) [1738331-1](#) [1757667-1](#) [1811481-1](#) [1883433-1](#)
[201046-7](#) [202648-4](#) [205269-1](#) [213364-1](#) [226503-000](#) [937028-164](#) [1663130-2](#) [172305-4](#) [AC-660022-701BP](#) [F36711-000](#) [202355-2](#) [202356-](#)
[2](#) [G16S-A](#) [G20S-AB](#) [CHA-0017-003](#)