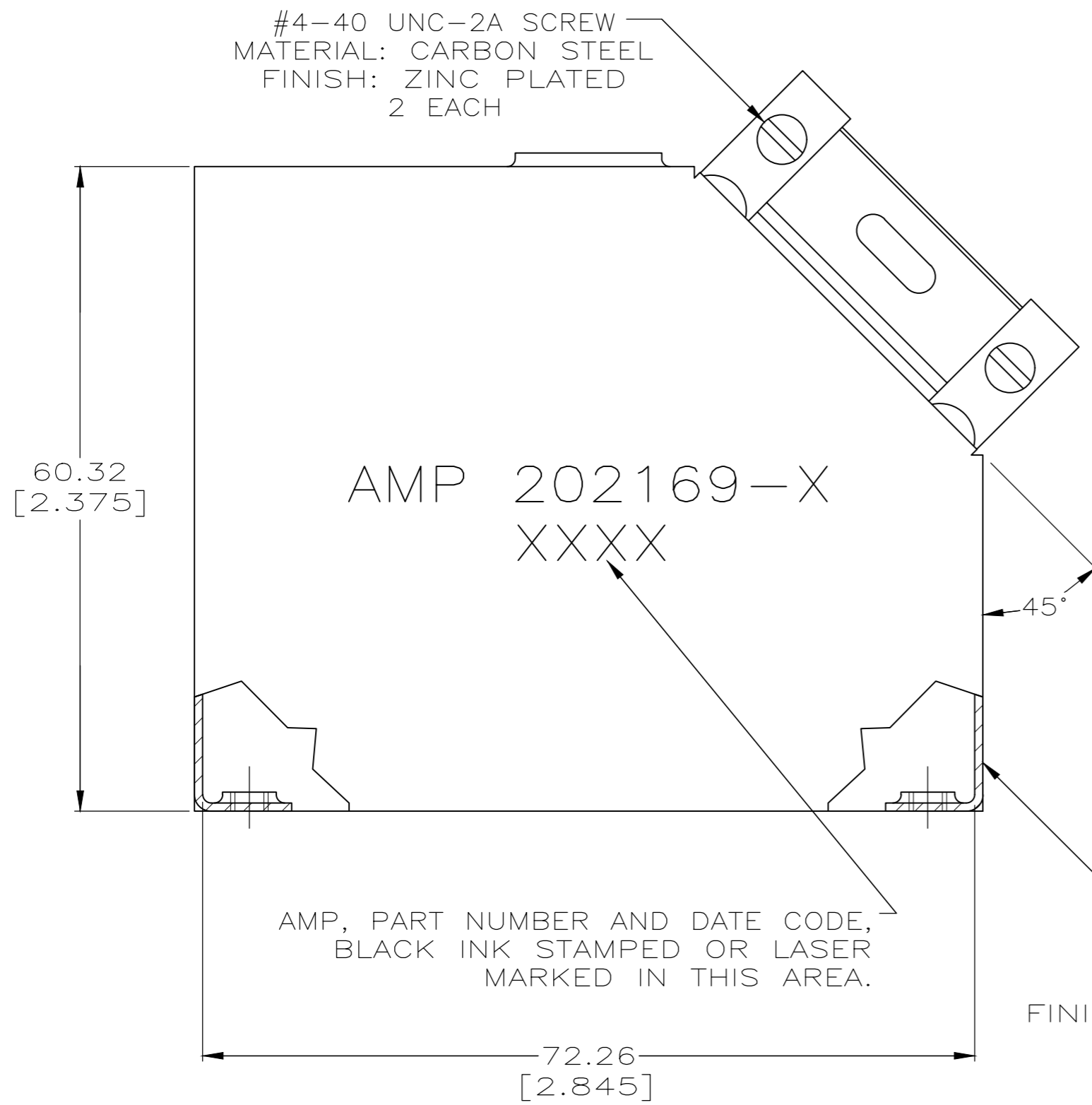


THIS DRAWING IS UNPUBLISHED. RELEASED FOR PUBLICATION
 © COPYRIGHT - L ALL RIGHTS RESERVED.

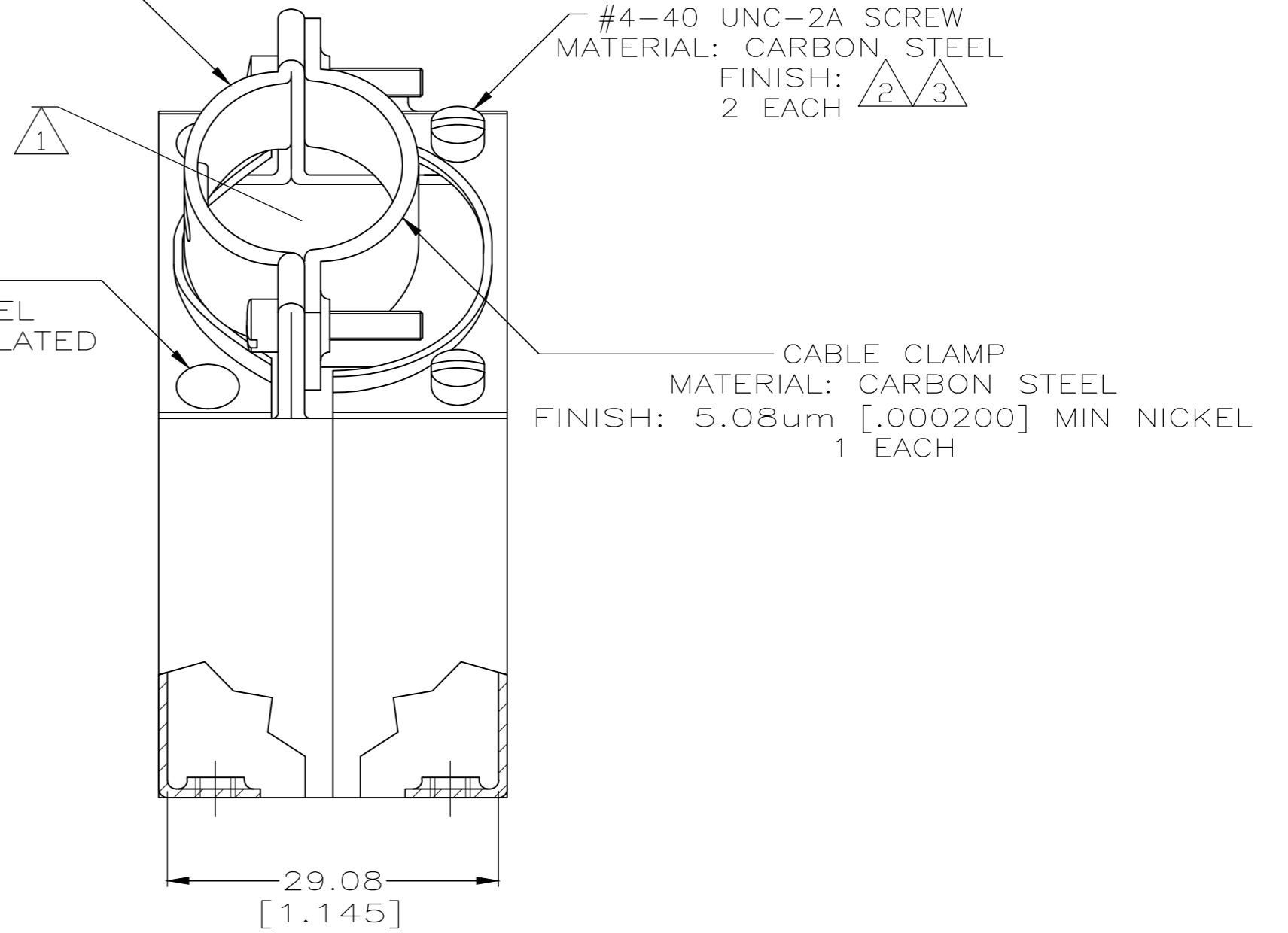
REVISIONS				
P	LTR	DESCRIPTION	DATE	DWN APVD
L		REVISED PER ECO-18-007013	21MAY2018	KH MZ



FIXED CABLE CLAMP
 MATERIAL: STAINLESS STEEL
 1 EACH

RIVET
 MATERIAL: STEEL
 FINISH: NICKEL PLATED
 2 EACH

SHIELDS
 MATERIAL: CARBON STEEL
 FINISH: 5.08um [.000200] MIN NICKEL
 2 EACH



$\triangle 3$	202169-4
$\triangle 2$	202169-1
SCREW FINISH	PART NUMBER

- $\triangle 1$ ACCOMMODATES 22.86-25.40[.900-1.000] DIAMETER CABLE.
- $\triangle 2$ FINISH: ZINC WITH HEXAVALENT CHROMATE.
- $\triangle 3$ FINISH: ZINC WITH NON-HEXAVALENT CHROMATE.

THIS DRAWING IS A CONTROLLED DOCUMENT.		DWN D.HARDY 10-25-94	TE Connectivity Ltd.	
DIMENSIONS: mm [INCHES]		CHK R.STONE 10-27-94	NAME SHIELD KIT, UNASSEMBLED, 104 POSITION, M SERIES	
TOLERANCES UNLESS OTHERWISE SPECIFIED:		APVD -	PRODUCT SPEC -	
0 PLC ± -		APPLICATION SPEC -		
1 PLC ± -		WEIGHT 0		
2 PLC ± 0.38 [.015]		SCALE A2 00779 C=202169		
3 PLC ± -		SHEET 1 of 1		
4 PLC ± -		REV L		
ANGLES ± -		CUSTOMER DRAWING		
MATERIAL SEE CALLOUTS		FINISH SEE CALLOUTS		

X-ON Electronics

Largest Supplier of Electrical and Electronic Components

Click to view similar products for [Rack & Panel Connectors](#) category:

Click to view products by [TE Connectivity](#) manufacturer:

Other Similar products are found below :

[00171410002](#) [00171420202](#) [00171440002](#) [02-014-013-5200-000](#) [613467-000](#) [CTJ112E01E-513](#) [CTJ116E03A-513](#) [66020-2](#) [CW8958-000](#)
[699886-000](#) [D250-50632](#) [70.400.3240.0](#) [70.955.2453.3](#) [733753-000](#) [F22831-000](#) [780-522-DPX34RG8-02](#) [8660-501](#) [87.060.0053.0](#)
[900709N001](#) [928358-1](#) [D-659-0061](#) [1-445717-6](#) [1484469-2](#) [1604997-2](#) [MTC100-BF1-P31CS015](#) [MTC100-KT2-0083](#) [MTC100-KT2-0123-](#)
[003](#) [MTC100-YA1-005](#) [MTCQKT1R2PGCA](#) [MTCR-103-04S](#) [MTCX1X-100-100CS025](#) [1738331-1](#) [1757667-1](#) [1811481-1](#) [1883433-1](#)
[201046-7](#) [202648-4](#) [213364-1](#) [226503-000](#) [937028-164](#) [1663130-2](#) [172305-4](#) [AC-660022-701BP](#) [F36711-000](#) [202355-2](#) [202356-2](#) [G16S-A](#)
[G20S-AB](#) [CHA-0017-003](#) [CHA-0296](#)